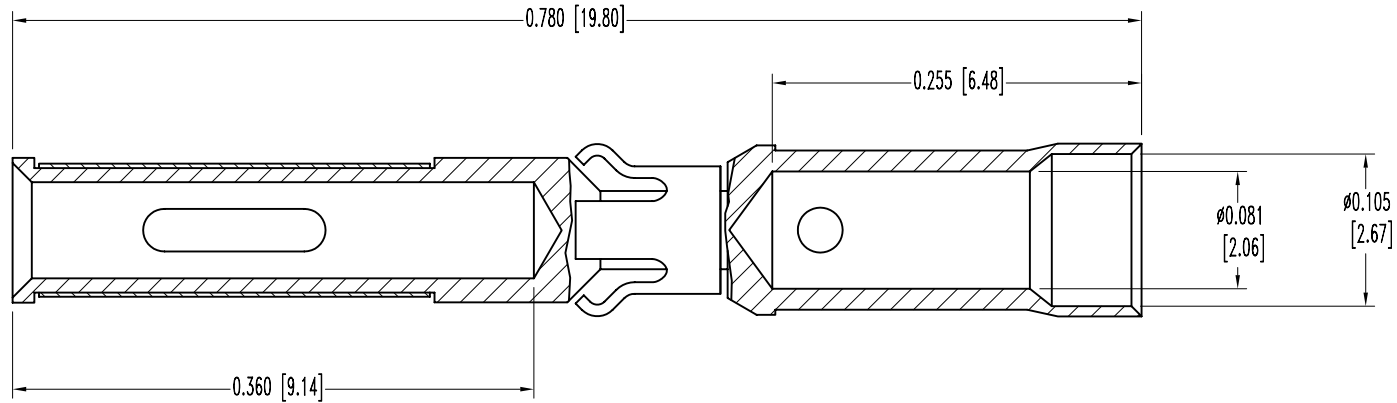


SK6412


POSITRONIC INDUSTRIES BELIEVES THE DATA ON THIS DRAWING TO BE RELIABLE. SINCE THE TECHNICAL INFORMATION IS GIVEN FREE OF CHARGE, THE USER EMPLOYS SUCH INFORMATION AT HIS OWN DISCRETION AND RISK. POSITRONIC INDUSTRIES ASSUMES NO RESPONSIBILITY FOR RESULTS OBTAINED OR DAMAGES INCURRED FROM USE OF SUCH INFORMATION IN WHOLE OR IN PART.

DATE	REV	REVISION RECORD	APP	DR	CK
8-3-05	NC	ECO 24444	RCW	YK	TK
2-14-06	A	ECO 25503		ME	



NOTES:

- MATERIAL AND FINISHES:
 CONTACT: COPPER ALLOY, GOLD FLASH OVER NICKEL PLATE.
 RETENTION RING: BERYLLIUM COPPER, GOLD FLASH OVER NICKEL PLATE.
 SPRING CLIP: BERYLLIUM COPPER, GOLD FLASH OVER NICKEL PLATE.
- THIS MOS ALLOWS FOR FEMALE CONTACTS TO HAVE AN OVERALL LENGTH OF 0.780 [19.81] AND A MATING DIAMETER DEPTH OF 0.360 [9.14].
- CONTACTS ARE ROHS COMPLIANT PER ROHS DIRECTIVE 2002/95/EC OF 27 JAN 2003.
- DIMENSIONS ARE IN INCHES [MILLIMETERS]

		POSITRONIC INDUSTRIES INC. www.connectpositronic.com	
		SCALE N.T.S.	DRAWN BY YK
DECIMAL TOL. ± 0.015 [0.38]	PCI SERIES	APPROVED BY RCW	
TITLE FC114N2/AA-1565.0			
ANGULAR TOL. ±	DATE 8-3-05	DRAWING NUMBER SK6412	REV. A