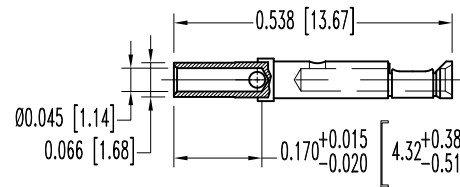
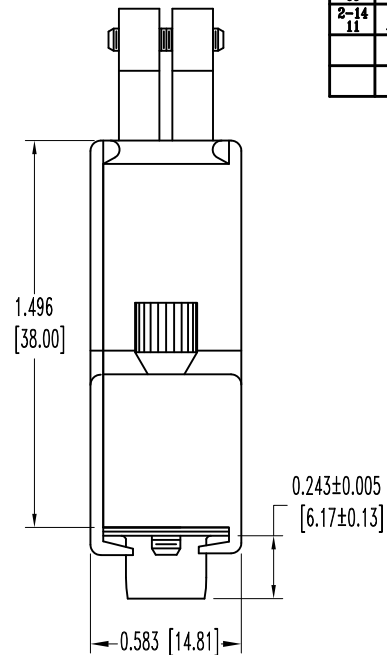
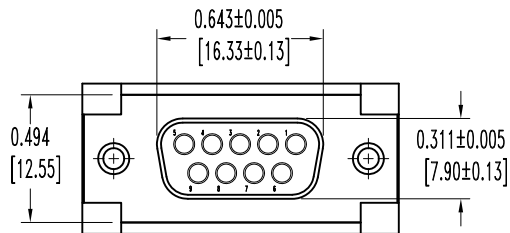
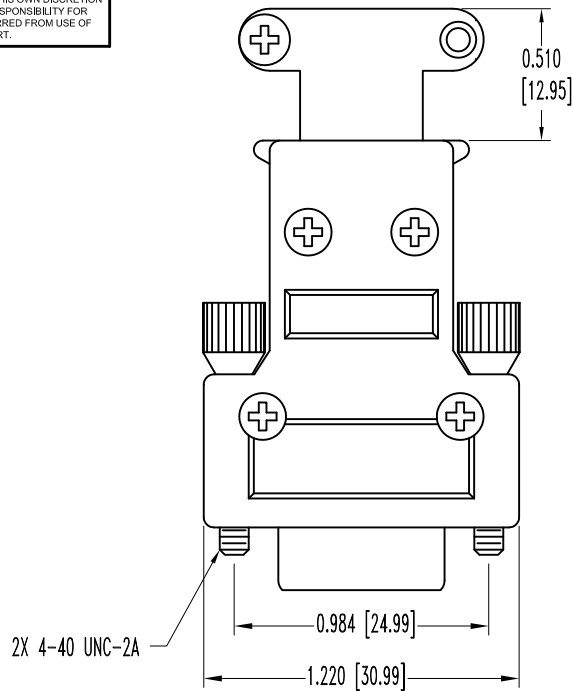


SK10631

THIS DRAWING CONTAINS INFORMATION PROPRIETARY TO POSITRONIC AND ITS SUBSIDIARIES. POSITRONIC BELIEVES THE DATA ON THIS DRAWING TO BE RELIABLE. SINCE THE TECHNICAL INFORMATION IS GIVEN FREE OF CHARGE, THE USER EMPLOYS SUCH INFORMATION AT HIS OWN DISCRETION AND RISK. POSITRONIC ASSUMES NO RESPONSIBILITY FOR RESULTS OBTAINED OR DAMAGES INCURRED FROM USE OF SUCH INFORMATION IN WHOLE OR IN PART.


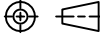
DATE	REV	REVISION RECORD	APP	DR	CK
4-28-09	NC	ECO 31004	RCW	BS	COLE
2-14-11	A	ECO 33679	COLE	ME	COLE



9X FEMALE CONTACT
ENLARGED

NOTES:

- MATERIALS AND FINISHES:
 INSULATOR: GLASS FILLED DAP PER ASTM-D-5948, SDG-F, UL 94V-0, GREEN COLOR.
 CONTACTS: PRECISION MACHINED COPPER ALLOY GOLD FLASH OVER NICKEL PLATE.
 SHELLS: STEEL, ZINC PLATE WITH CHROMATE SEAL.
 HOOD: ZINC, DIE CAST.
 CABLE CLAMPS: ZINC, DIE CAST.
 JACKSCREWS: STEEL, NICKEL PLATE.
 SCREWS: STEEL, NICKEL PLATE.
- DETAILED PRODUCT, ELECTRICAL, AND MECHANICAL INFORMATION IS AVAILABLE IN THE LATEST STANDARD DENSITY D-SUB PRODUCT PUBLICATION. VISIT CONNECTPOSITRONIC.COM/PRODUCTS/45/STANDARD DENSITY D-SUBMINIATURE OR CONNECTPOSITRONIC.COM.
- DIMENSIONS ARE IN INCHES [MILLIMETERS].

 POSITRONIC INDUSTRIES INC. www.connectpositronic.com		FSCM 28198	
 DECIMAL TOL. ± 0.015 [0.38]	RD SERIES	SCALE N.T.S.	DRAWN BY B SHELLIEDY
TITLE RD9S10GEO		APPROVED BY R WILLIAMS	
ANGULAR TOL. ± 5°	DATE 4-28-09	DRAWING NUMBER SK10631	REV. A