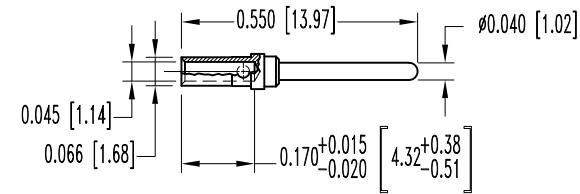
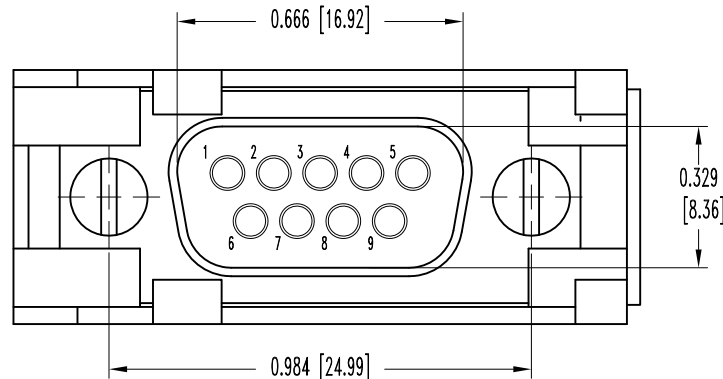
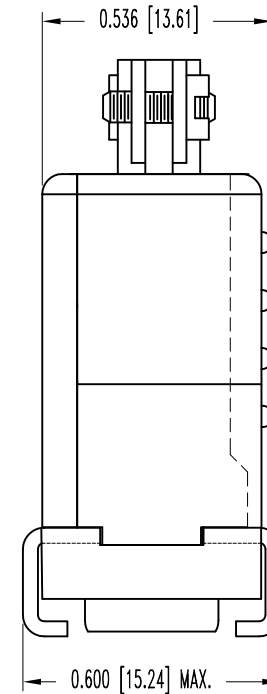
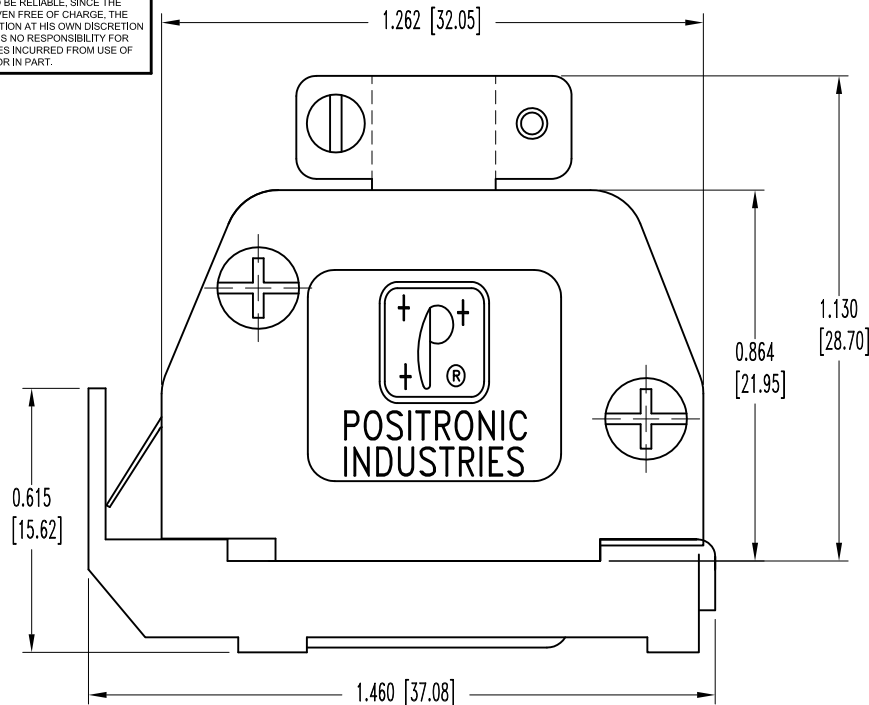


SK7759

THIS DRAWING CONTAINS INFORMATION PROPRIETARY TO POSITRONIC AND ITS SUBSIDIARIES. POSITRONIC BELIEVES THE DATA ON THIS DRAWING TO BE RELIABLE, SINCE THE TECHNICAL INFORMATION IS GIVEN FREE OF CHARGE, THE USER EMPLOYS SUCH INFORMATION AT HIS OWN DISCRETION AND RISK. POSITRONIC ASSUMES NO RESPONSIBILITY FOR RESULTS OBTAINED OR DAMAGES INCURRED FROM USE OF SUCH INFORMATION IN WHOLE OR IN PART.

| DATE    | REV | REVISION RECORD | APP  | DR | CK   |
|---------|-----|-----------------|------|----|------|
| 7-12-06 | NC  | ECO 26348       | RCW  | ME | TK   |
| 2-11-11 | A   | ECO 33665       | COLE | ME | COLE |
|         |     |                 |      |    |      |
|         |     |                 |      |    |      |



9X MALE CONTACT

NOTES:

- MATERIALS AND FINISHES:  
INSULATOR: GLASS FILLED DAP, PER ASTM-D-5948, SDG-F, UL 94V-0, GREEN COLOR.  
CONTACTS: PRECISION MACHINED COPPER ALLOY, GOLD FLASH OVER NICKEL PLATE.  
SHELLS: STEEL, ZINC PLATE WITH CHROMATE SEAL.  
HOOD: GLASS FILLED NYLON, 94V-0.  
LOCK LEVER: STEEL, NICKEL PLATE.
- DETAILED PRODUCT, ELECTRICAL, AND MECHANICAL INFORMATION IS AVAILABLE IN THE LATEST STANDARD DENSITY D-SUB PRODUCT PUBLICATION. VISIT [CONNECTPOSITRONIC.COM/PRODUCTS/45/STANDARD DENSITY D-SUBMINIATURE](http://CONNECTPOSITRONIC.COM/PRODUCTS/45/STANDARD DENSITY D-SUBMINIATURE) OR [CONNECTPOSITRONIC.COM](http://CONNECTPOSITRONIC.COM).
- CONNECTORS ARE ROHS COMPLIANT PER ROHS DIRECTIVE 2002/95/EC OF 27 JAN 2003.
- DIMENSIONS ARE IN INCHES [MILLIMETERS].

|   |   |                          |                            |
|---|---|--------------------------|----------------------------|
|  | <b>POSITRONIC INDUSTRIES INC.</b><br><a href="http://www.connectpositronic.com">www.connectpositronic.com</a> |                          | FSCM 28198                 |
|   | RD SERIES   | SCALE<br>N.T.S.          | DRAWN BY<br>M. ENEA        |
| DECIMAL TOL.<br>± 0.015 [0.38]  | TITLE<br>RD9M10JVLO/AA  |                          | APPROVED BY<br>R. WILLIAMS |
| ANGULAR TOL.<br>± 5°  | DATE<br>7-12-06   | DRAWING NUMBER<br>SK7759 | REV.<br>A                  |