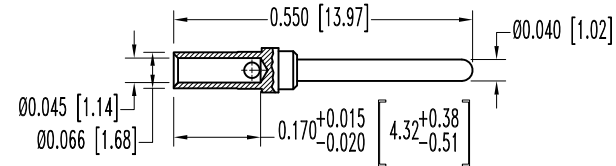
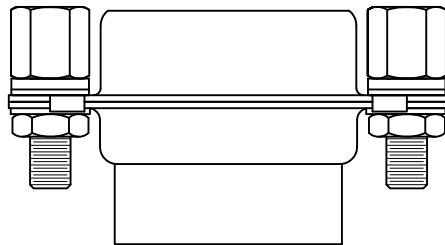
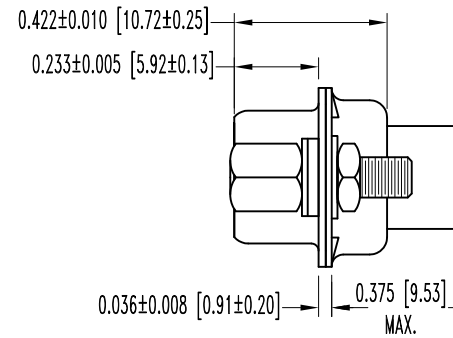
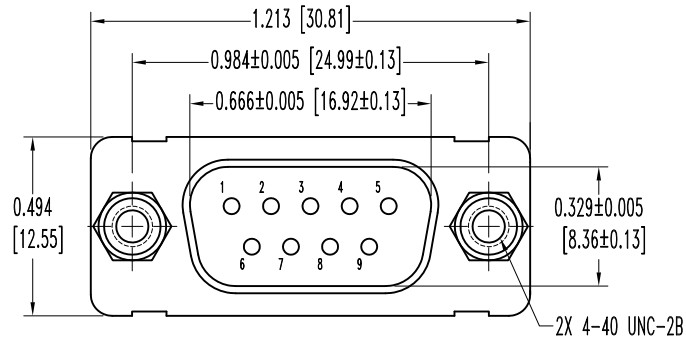


SK8085

THIS DRAWING CONTAINS INFORMATION PROPRIETARY TO POSITRONIC AND ITS SUBSIDIARIES. POSITRONIC BELIEVES THE DATA ON THIS DRAWING TO BE RELIABLE, SINCE THE TECHNICAL INFORMATION IS GIVEN FREE OF CHARGE, THE USER EMPLOYS SUCH INFORMATION AT HIS OWN DISCRETION AND RISK. POSITRONIC ASSUMES NO RESPONSIBILITY FOR RESULTS OBTAINED OR DAMAGES INCURRED FROM USE OF SUCH INFORMATION IN WHOLE OR IN PART.

DATE	REV	REVISION RECORD	APP	DR	CK
10-27-06	NC	ECO 26929	TK	YK	COLE
2-11-11	A	ECO 33665	COLE	ME	COLE



9X MALE CONTACT
ENLARGED

NOTES:

- MATERIALS AND FINISHES:
 INSULATOR: GLASS FILLED DAP PER ASTM-D-5948, SDG-F, UL 94V-0, GREEN COLOR.
 CONTACTS: PRECISION MACHINED COPPER ALLOY, GOLD FLASH OVER NICKEL PLATE.
 SHELLS: STAINLESS STEEL, PASSIVATED.
 JACKSCREWS: STEEL, ZINC PLATE WITH CHROMATE SEAL.
 HEX NUTS: BRASS, ZINC PLATE WITH CHROMATE SEAL.
 LOCKWASHERS: BRONZE, ZINC PLATE WITH CHROMATE SEAL.
 WASHERS: STAINLESS STEEL, PASSIVATED.
- DETAILED PRODUCT, ELECTRICAL, AND MECHANICAL INFORMATION IS AVAILABLE IN THE LATEST STANDARD DENSITY D-SUB PRODUCT PUBLICATION. VISIT CONNECTPOSITRONIC.COM/PRODUCTS/45/STANDARD DENSITY D-SUBMINIATURE OR CONNECTPOSITRONIC.COM.
- DIMENSIONS ARE IN INCHES [MILLIMETERS].

	POSITRONIC INDUSTRIES INC. www.connectpositronic.com		FSCM 28198
	RD SERIES	SCALE N.T.S.	DRAWN BY YK
DECIMAL TOL. ± 0.015 [0.38]	TITLE RD9M100T2S		
ANGULAR TOL. ± 5°	DATE 10-27-06	DRAWING NUMBER SK8085	REV. A
		APPROVED BY T KEPLEY	