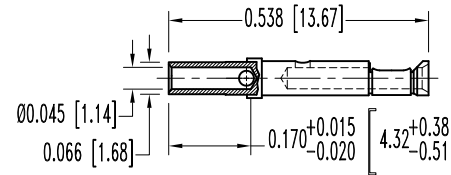
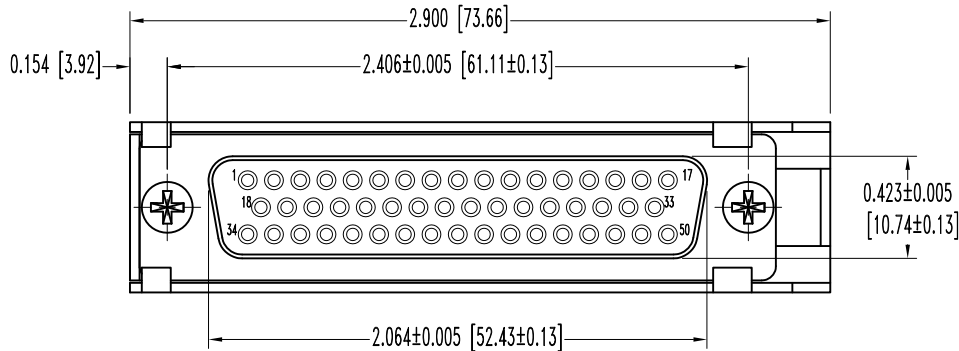
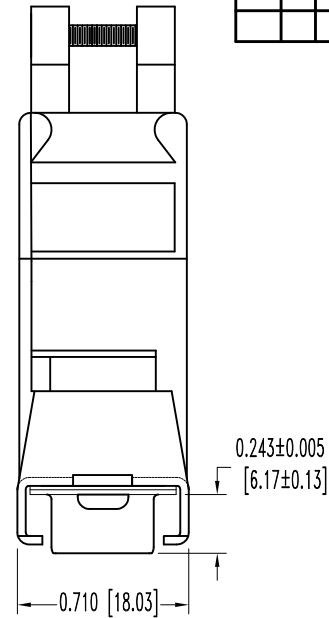
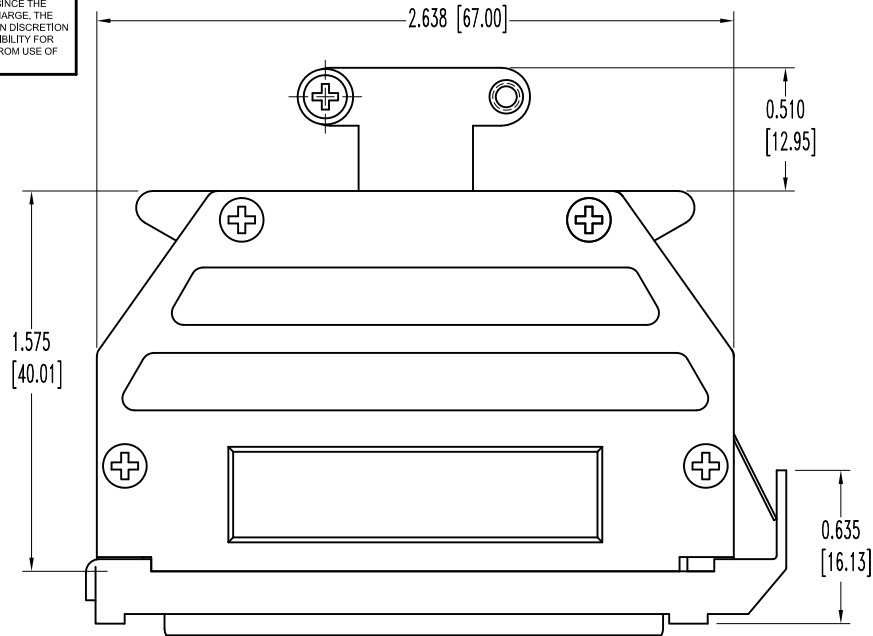


SK10797

THIS DRAWING CONTAINS INFORMATION PROPRIETARY TO POSITRONIC AND ITS SUBSIDIARIES. POSITRONIC BELIEVES THE DATA ON THIS DRAWING TO BE RELIABLE, SINCE THE TECHNICAL INFORMATION IS GIVEN FREE OF CHARGE, THE USER EMPLOYS SUCH INFORMATION AT HIS OWN DISCRETION AND RISK. POSITRONIC ASSUMES NO RESPONSIBILITY FOR RESULTS OBTAINED OR DAMAGES INCURRED FROM USE OF SUCH INFORMATION IN WHOLE OR IN PART.

DATE	REV	REVISION RECORD	APP	DR	CK
5-22-09	NC	ECO 31105	RCW	ME	RCW
2-19	A	ECO 33654	COLE	ME	COLE



FEMALE CONTACT
QTY: 50

NOTES:

- MATERIALS AND FINISHES:
 INSULATOR: GLASS FILLED DAP PER ASTM-D-5948, SDG-F, UL 94V-0, GREEN COLOR.
 CONTACTS: PRECISIONED MACHINED COPPER ALLOY GOLD FLASH OVER NICKEL PLATE.
 SHELLS: STEEL, ZINC PLATE WITH CHROMATE SEAL.
 HOOD AND CABLE CLAMPS: ZINC DIE CAST.
 LOCK LEVER: STEEL, NICKEL PLATE.
 MOUNTING SCREWS: STAINLESS STEEL, PASSIVATED.
- DETAILED PRODUCT, ELECTRICAL, AND MECHANICAL INFORMATION IS AVAILABLE IN THE LATEST STANDARD DENSITY D-SUB PRODUCT PUBLICATION. VISIT CONNECTPOSITRONIC.COM/PRODUCTS/45/STANDARD DENSITY D-SUBMINIATURE OR CONNECTPOSITRONIC.COM.
- DIMENSIONS ARE IN INCHES [MILLIMETERS].

 POSITRONIC INDUSTRIES INC. www.connectpositronic.com		FSCM 28198	
RD SERIES SIZE 50		SCALE N.T.S.	DRAWN BY ME
DECIMAL TOL. ± 0.015 [0.38]		APPROVED BY R WILLIAMS	
TITLE RD50S10GVLO			
ANGULAR TOL. ± 5°		DATE 5-22-09	DRAWING NUMBER SK10797
			REV. A