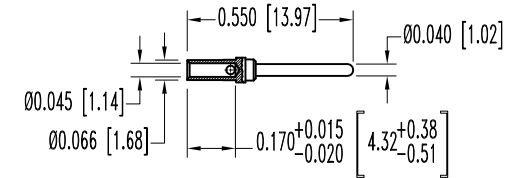
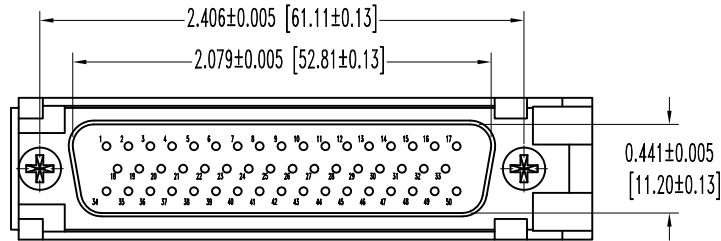
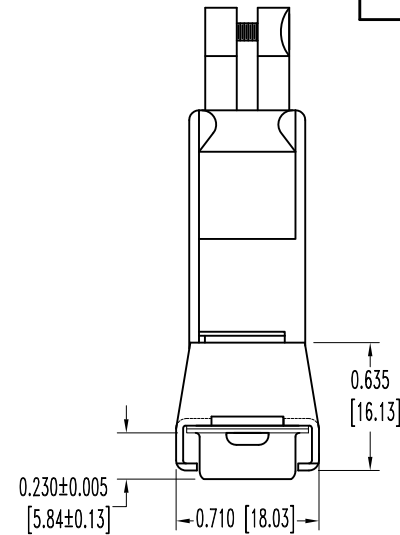
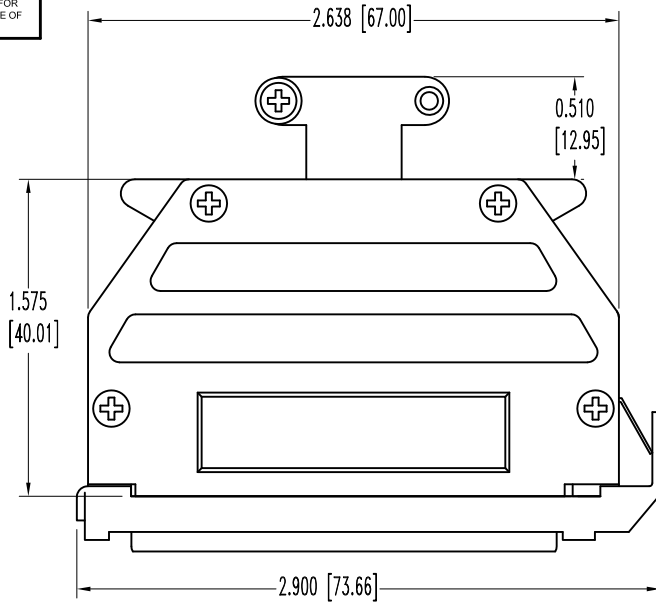


SK9709

THIS DRAWING CONTAINS INFORMATION PROPRIETARY TO POSITRONIC AND ITS SUBSIDIARIES. POSITRONIC BELIEVES THE DATA ON THIS DRAWING TO BE RELIABLE, SINCE THE TECHNICAL INFORMATION IS GIVEN FREE OF CHARGE. THE USER EMPLOYS SUCH INFORMATION AT HIS OWN DISCRETION AND RISK. POSITRONIC ASSUMES NO RESPONSIBILITY FOR RESULTS OBTAINED OR DAMAGES INCURRED FROM USE OF SUCH INFORMATION IN WHOLE OR IN PART.

DATE	REV	REVISION RECORD	APP	DR	CK
9-15-08	NC	ECO 29960	TK	YK	TK
2-9-11	A	ECO 33654	COLE	ME	COLE



50X MALE CONTACT
ENLARGED

NOTES:

- MATERIALS AND FINISHES:
 INSULATOR: GLASS FILLED DAP PER ASTM-D-5948, SDG-F, UL 94V-0, GREEN COLOR.
 CONTACTS: PRECISION MACHINED COPPER ALLOY, GOLD FLASH OVER NICKEL PLATE.
 SHELLS: STEEL, ZINC PLATE WITH CHROMATE SEAL.
 HOOD: ZINC, DIE CAST.
 CABLE CLAMPS: ZINC, DIE CAST.
 LOCK LEVER: STEEL, NICKEL PLATE.
 CABLE CLAMP AND COVER SCREWS: STEEL, NICKEL PLATE.
 MOUNTING SCREWS: STEEL, ZINC PLATE WITH CHROMATE SEAL.
- DETAILED PRODUCT, ELECTRICAL, AND MECHANICAL INFORMATION IS AVAILABLE IN THE LATEST STANDARD DENSITY D-SUB PRODUCT PUBLICATION. VISIT CONNECTPOSITRONIC.COM/PRODUCTS/45/STANDARD DENSITY D-SUBMINIATURE OR CONNECTPOSITRONIC.COM.
- DIMENSIONS ARE IN INCHES [MILLIMETERS].

 POSITRONIC INDUSTRIES INC. www.connectpositronic.com		FSCM 28198	
RD SERIES		SCALE N.T.S.	DRAWN BY YK
DECIMAL TOL. ± 0.015 [0.38]		APPROVED BY T KEPLEY	
TITLE RD50M10GVLO			
DATE 9-15-08		DRAWING NUMBER SK9709	
ANGULAR TOL. ± 5°		REV. A	