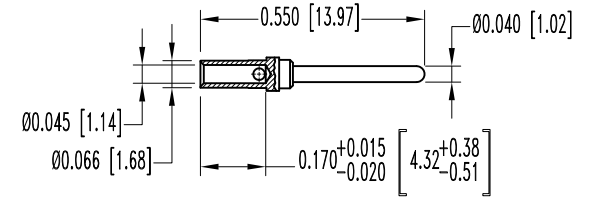
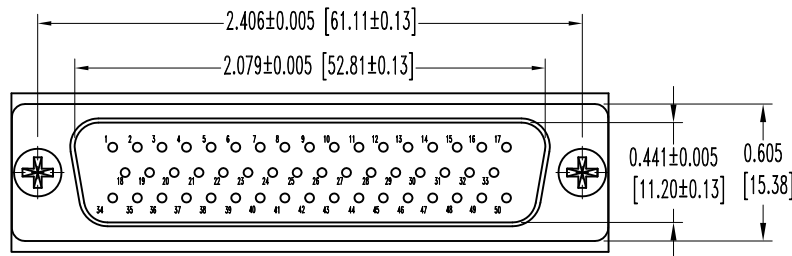
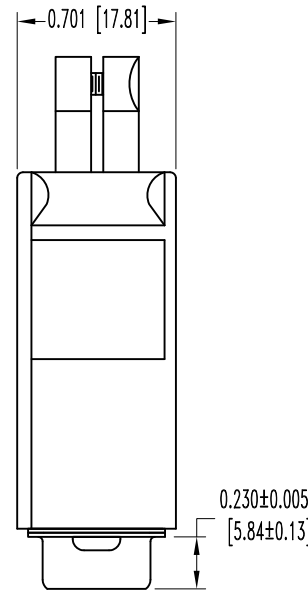
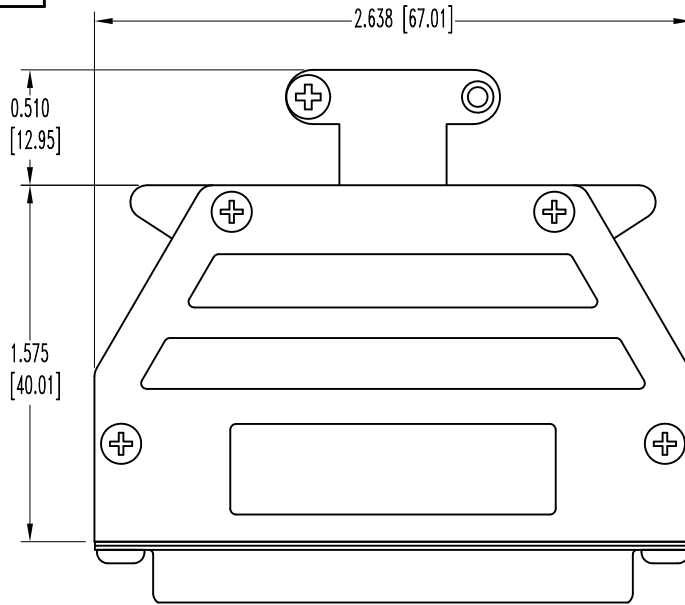


SK9704

THIS DRAWING CONTAINS INFORMATION PROPRIETARY TO POSITRONIC AND ITS SUBSIDIARIES. POSITRONIC BELIEVES THE DATA ON THIS DRAWING TO BE RELIABLE, SINCE THE TECHNICAL INFORMATION IS GIVEN FREE OF CHARGE, THE USER EMPLOYS SUCH INFORMATION AT HIS OWN DISCRETION AND RISK. POSITRONIC ASSUMES NO RESPONSIBILITY FOR RESULTS OBTAINED OR DAMAGES INCURRED FROM USE OF SUCH INFORMATION IN WHOLE OR IN PART.

DATE	REV	REVISION RECORD	APP	DR	CK
9-12-08	NC	ECO 29960	TK	YK	TK
2-9-11	A	ECO 33654	COLE	ME	COLE



50X MALE CONTACT  
ENLARGED

NOTES:

- MATERIALS AND FINISHES:  
 INSULATOR: GLASS FILLED DAP PER ASTM-D-5948, SDG-F, UL94V-0, GREEN COLOR.  
 CONTACTS: PRECISION MACHINED COPPER ALLOY, GOLD FLASH OVER NICKEL PLATE.  
 SHELLS: STEEL, ZINC PLATE WITH CHROMATE SEAL.  
 HOOD AND CABLE CLAMPS: ZINC, DIE CAST.  
 COVER SCREWS AND CABLE CLAMP SCREWS: STEEL, NICKEL PLATE.  
 MOUNTING SCREWS: STEEL, ZINC PLATE WITH CHROMATE SEAL.
- DETAILED PRODUCT, ELECTRICAL, AND MECHANICAL INFORMATION IS AVAILABLE IN THE LATEST STANDARD DENSITY D-SUB PRODUCT PUBLICATION. VISIT [CONNECTPOSITRONIC.COM/PRODUCTS/45/STANDARD DENSITY D-SUBMINIATURE](http://CONNECTPOSITRONIC.COM/PRODUCTS/45/STANDARD DENSITY D-SUBMINIATURE) OR [CONNECTPOSITRONIC.COM](http://CONNECTPOSITRONIC.COM).
- DIMENSIONS ARE IN INCHES [MILLIMETERS].

	<b>POSITRONIC INDUSTRIES INC.</b> www.connectpositronic.com		FSCM 28198
	RD SERIES	SCALE N.T.S.	DRAWN BY YK
DECIMAL TOL. ± 0.015 [0.38]	TITLE RD50M10G00		
ANGULAR TOL. ± 5°	DATE 9-12-08	DRAWING NUMBER SK9704	REV. A
		APPROVED BY T KEPLEY	