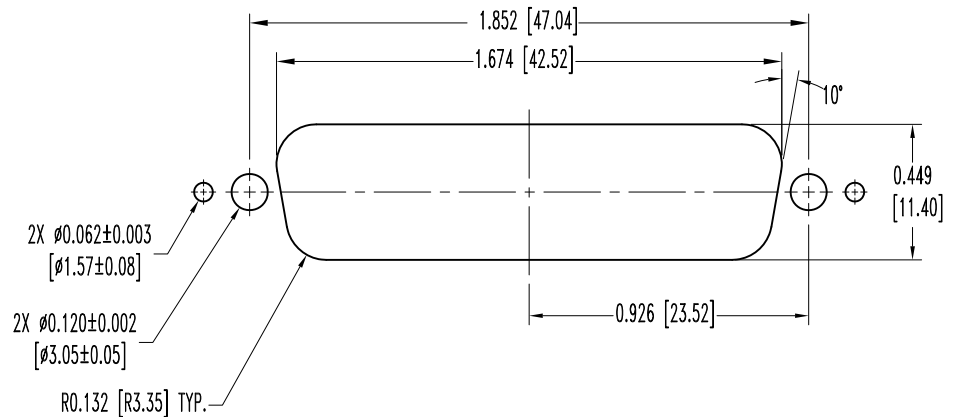
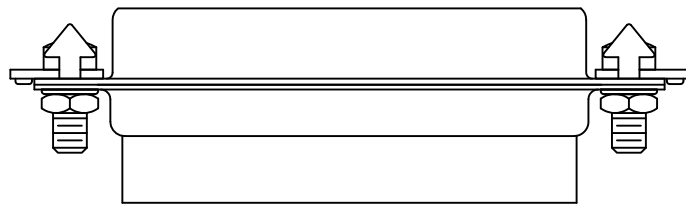
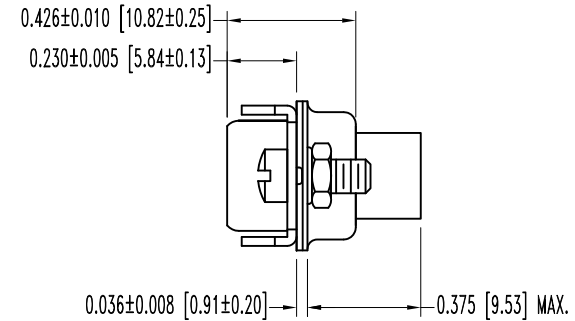
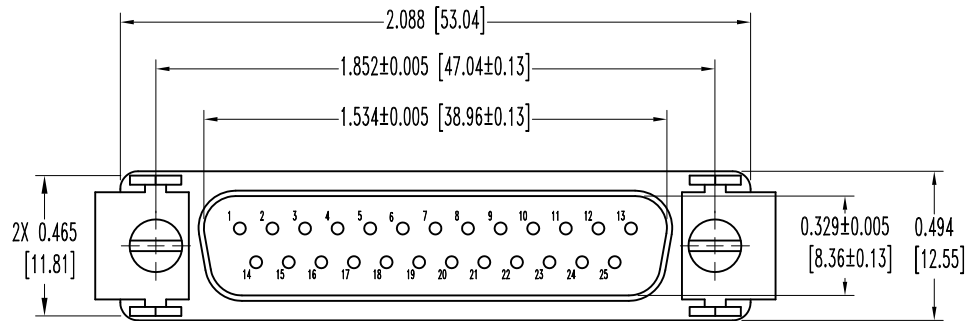


THIS DRAWING CONTAINS INFORMATION PROPRIETARY TO POSITRONIC AND ITS SUBSIDIARIES. POSITRONIC BELIEVES THE DATA ON THIS DRAWING TO BE RELIABLE, SINCE THE TECHNICAL INFORMATION IS GIVEN FREE OF CHARGE, THE USER EMPLOYS SUCH INFORMATION AT HIS OWN DISCRETION AND RISK. POSITRONIC ASSUMES NO RESPONSIBILITY FOR RESULTS OBTAINED OR DAMAGES INCURRED FROM USE OF SUCH INFORMATION IN WHOLE OR IN PART.

DATE	REV	REVISION RECORD	APP	DR	CK
9-8-08	NC	ECO 29929	TK	YK	COLE
1-28-11	A	ECO 33580	COLE	ME	COLE



PANEL CUTOUT

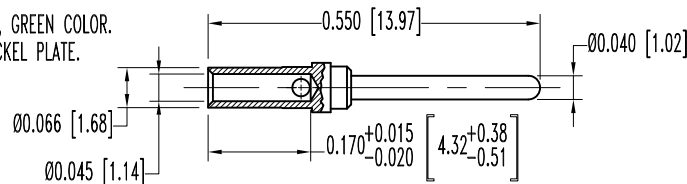
NOTES:

1. MATERIALS AND FINISHES:

- INSULATOR: GLASS FILLED DAP PER ASTM-D-5948, SDG-F, UL 94V-0, GREEN COLOR.
- CONTACTS: PRECISION MACHINED COPPER ALLOY, GOLD FLASH OVER NICKEL PLATE.
- SHELLS: STEEL, ZINC PLATE WITH CHROMATE SEAL.
- LOCK TAB: STEEL, NICKEL PLATE.
- LOCKWASHERS: BRONZE, ZINC PLATE WITH CHROMATE SEAL.
- HEX NUTS: BRASS, ZINC PLATE WITH CHROMATE SEAL.
- SCREWS: BRASS, ZINC PLATE WITH CHROMATE SEAL.

2. DETAILED PRODUCT, ELECTRICAL, AND MECHANICAL INFORMATION IS AVAILABLE IN THE LATEST STANDARD DENSITY D-SUB PRODUCT PUBLICATION. VISIT CONNECTPOSITRONIC.COM/PRODUCTS/45/STANDARD DENSITY D-SUBMINIATURE OR CONNECTPOSITRONIC.COM.

3. DIMENSIONS ARE IN INCHES [MILLIMETERS].



25X MALE CONTACT
ENLARGED

 POSITRONIC INDUSTRIES INC. www.connectpositronic.com		FSCM 28198	
		SCALE N.T.S.	DRAWN BY YK
DECIMAL TOL. ± 0.015 [0.38]	RD SERIES	APPROVED BY T KEPLEY	
TITLE RD25M100V50			
ANGULAR TOL. ± 5°	DATE 9-8-08	DRAWING NUMBER SK9676	REV. A