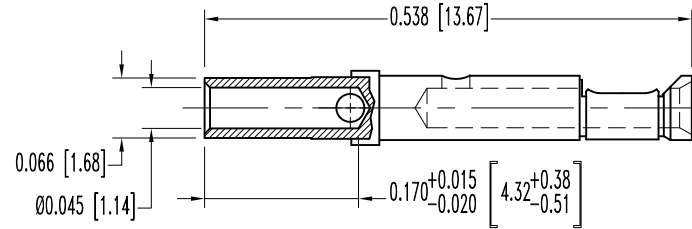
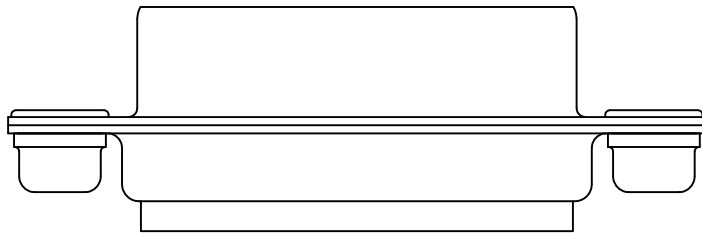
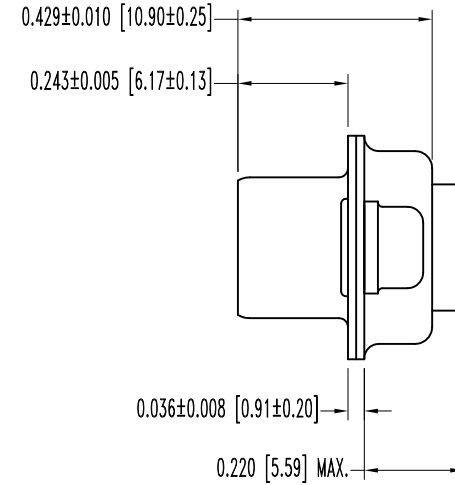
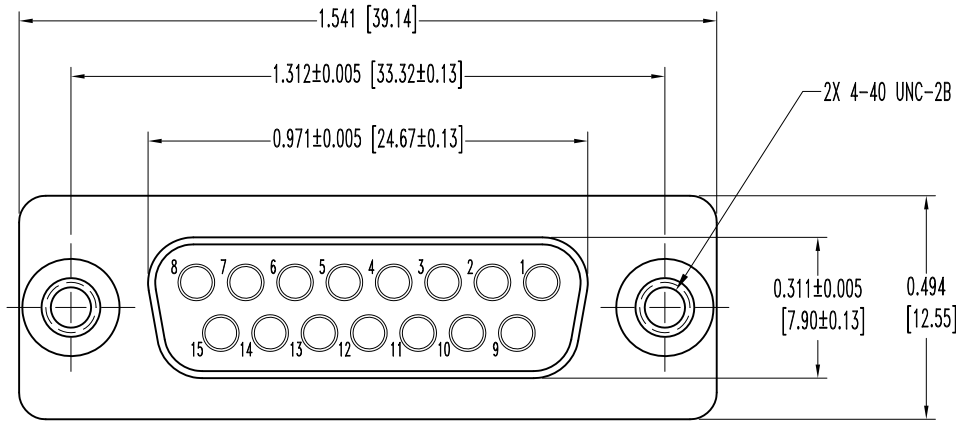


SK10644

THIS DRAWING CONTAINS INFORMATION PROPRIETARY TO POSITRONIC AND ITS SUBSIDIARIES. POSITRONIC BELIEVES THE DATA ON THIS DRAWING TO BE RELIABLE, SINCE THE TECHNICAL INFORMATION IS GIVEN FREE OF CHARGE, THE USER EMPLOYS SUCH INFORMATION AT HIS OWN DISCRETION AND RISK. POSITRONIC ASSUMES NO RESPONSIBILITY FOR RESULTS OBTAINED OR DAMAGES INCURRED FROM USE OF SUCH INFORMATION IN WHOLE OR IN PART.

DATE	REV	REVISION RECORD	APP	DR	CK
4-29-09	NC	ECO 31006	TK	ME	COLE
12-8-10	A	ECO 33388	COLE	BE	COLE



FEMALE CONTACT

15X (ENLARGED)

NOTES:

- MATERIALS AND FINISHES:
INSULATOR: GLASS FILLED DAP PER ASTM-D-5948, SDG-F, UL 94V-0, GREEN COLOR.
CONTACTS: PRECISION MACHINED COPPER ALLOY WITH GOLD FLASH OVER NICKEL PLATE.
SHELLS: STEEL, ZINC PLATE WITH CHROMATE SEAL.
CLINCH NUT: STEEL, ZINC PLATE.
- DETAILED PRODUCT, ELECTRICAL, AND MECHANICAL INFORMATION IS AVAILABLE IN THE LATEST STANDARD DENSITY D-SUB PRODUCT PUBLICATION. VISIT CONNECTPOSITRONIC.COM/PRODUCTS/45/STANDARD DENSITY D-SUBMINIATURE OR CONNECTPOSITRONIC.COM.
- DIMENSIONS ARE IN INCHES [MILLIMETERS].

 POSITRONIC INDUSTRIES INC. www.connectpositronic.com		FSCM 28198	
 DECIMAL TOL. ± 0.015 [0.38]		RD SERIES	SCALE N.T.S.
 ANGULAR TOL. ± 5°		DRAWN BY ME APPROVED BY T KEPLEY	
TITLE RD15S1S5000			
DATE 4-29-09	DRAWING NUMBER SK10644		REV. A