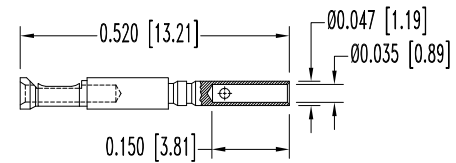
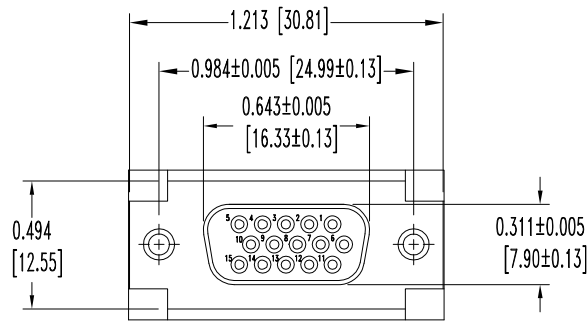
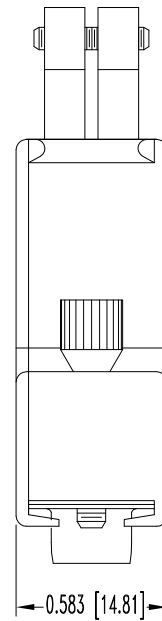
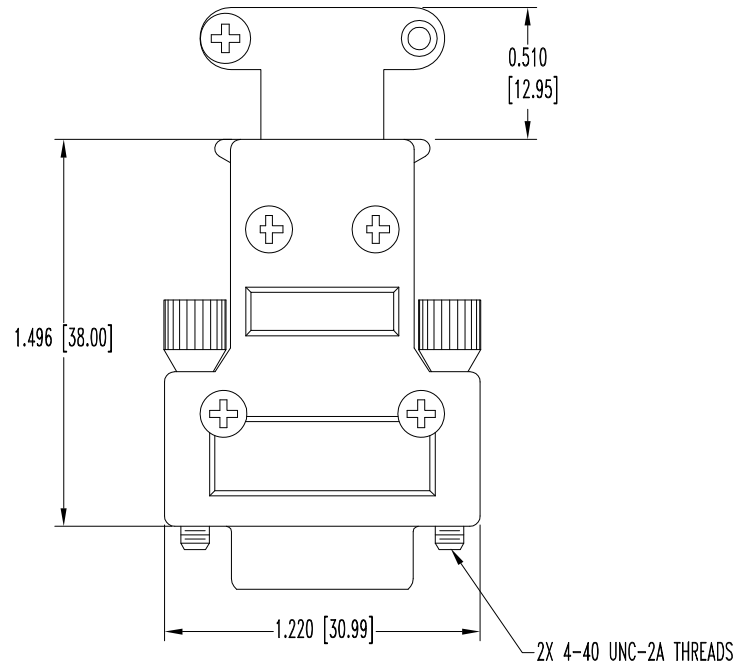


SK10227

THIS DRAWING CONTAINS INFORMATION PROPRIETARY TO POSITRONIC AND ITS SUBSIDIARIES. POSITRONIC BELIEVES THE DATA ON THIS DRAWING TO BE RELIABLE. SINCE THE TECHNICAL INFORMATION IS GIVEN FREE OF CHARGE, THE USER EMPLOYS SUCH INFORMATION AT HIS OWN DISCRETION AND RISK. POSITRONIC ASSUMES NO RESPONSIBILITY FOR RESULTS OBTAINED OR DAMAGES INCURRED FROM USE OF SUCH INFORMATION IN WHOLE OR IN PART.

| DATE | REV | REVISION RECORD | APP | DR | CK |
|---------|-----|-----------------|-----|----|----|
| 1-19-09 | NC | ECO 30497 | RCW | YK | TK |
| 3-30-10 | A | ECO 32305 | TK | BE | TK |
| | | | | | |
| | | | | | |



FEMALE CONTACT
15X (ENLARGED)

NOTES:

1. MATERIALS AND FINISHES:

- INSULATOR: GLASS FILLED POLYESTER PER ASTM D5927, UL 94V-0, BLUE COLOR.
- CONTACTS: BRASS, GOLD FLASH OVER NICKEL FINISH.
- SHELLS: STEEL, ZINC PLATE WITH CHROMATE SEAL.
- HOOD AND CABLE CLAMPS: ZINC, DIE CAST.
- JACKSCREWS: STEEL, NICKEL PLATE.
- CABLE CLAMP SCREWS AND COVER SCREWS: STEEL, NICKEL PLATE.

2. DETAILED PRODUCT, ELECTRICAL, AND MECHANICAL INFORMATION IS AVAILABLE IN THE LATEST HIGH DENSITY D-SUBMINIATURE PRODUCT PUBLICATION. VISIT CONNECTPOSITRONIC.COM/PRODUCTS/59/HIGHDENSITYD-SUBMINIATURE OR CONNECTPOSITRONIC.COM.

3. DIMENSIONS ARE IN INCHES [MILLIMETERS].

| | | | |
|--------------------------------|--|---------------------------|----------------|
| | POSITRONIC INDUSTRIES INC. www.connectpositronic.com | | FSCM 28198 |
| | DD SERIES | SCALE N.T.S. | DRAWN BY YK |
| DECIMAL TOL. ± 0.015 [0.38] | TITLE DD15S10GE0 | | |
| ANGULAR TOL. ± 5° | DATE 1-19-09 | DRAWING NUMBER SK10227 | REV. A |
| | | APPROVED BY R WILLIAMS | |