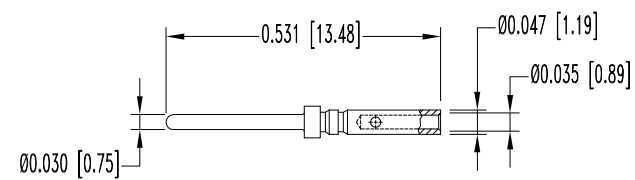
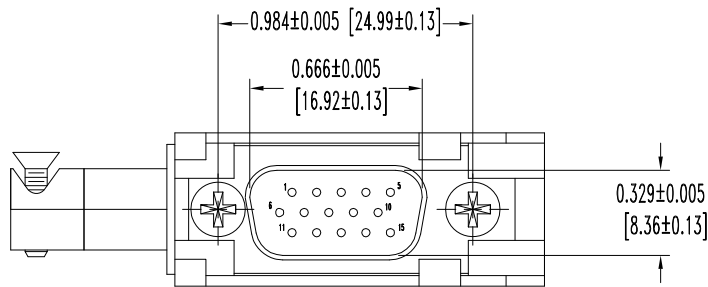
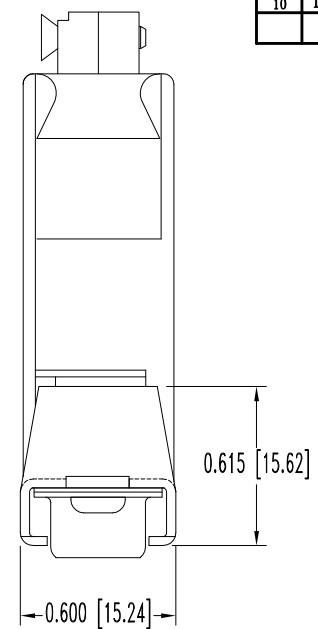
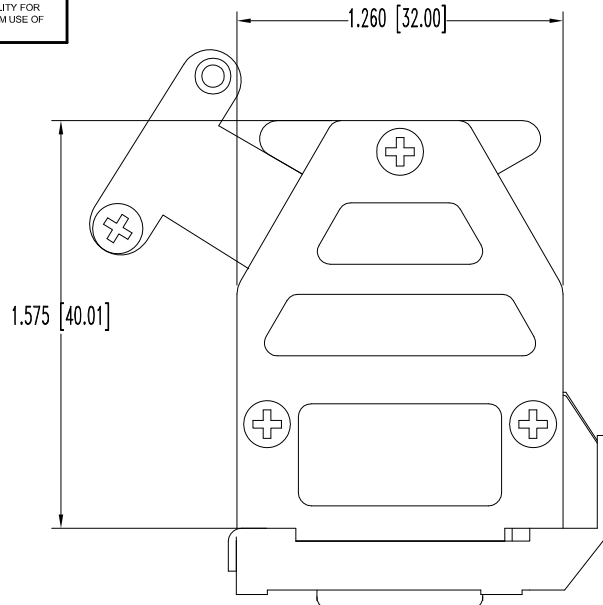


SK6348

THIS DRAWING CONTAINS INFORMATION PROPRIETARY TO POSITRONIC AND ITS SUBSIDIARIES. POSITRONIC BELIEVES THE DATA ON THIS DRAWING TO BE RELIABLE. SINCE THE TECHNICAL INFORMATION IS GIVEN FREE OF CHARGE, THE USER EMPLOYS SUCH INFORMATION AT HIS OWN DISCRETION AND RISK. POSITRONIC ASSUMES NO RESPONSIBILITY FOR RESULTS OBTAINED OR DAMAGES INCURRED FROM USE OF SUCH INFORMATION IN WHOLE OR IN PART.

DATE	REV	REVISION RECORD	APP	DR	CK
7-19-05	NC	ECO 24358	RCW	YK	COLE
1-9-07	A	ECO 27305	RW	YK	COLE
3-30-10	B	ECO 32305	TK	BE	TK



MALE CONTACT  
15X (ENLARGED)

- NOTES:
- MATERIALS AND FINISHES:  
 INSULATOR: GLASS FILLED POLYESTER PER ASTM D5927, UL 94V-0, COLOR BLUE.  
 CONTACTS: BRASS, 0.000050 [1.27μ] GOLD OVER COPPER PLATE.  
 SHELLS: STEEL, ZINC PLATE WITH DICHROMATE SEAL.  
 HOOD: ZINC, DIE CAST.  
 CABLE CLAMPS: ZINC, DIE CAST.  
 LOCK LEVER: STEEL, NICKEL PLATE.  
 SCREWS: STEEL, NICKEL PLATE.  
 MOUNTING SCREWS: STAINLESS STEEL, PASSIVATED.
  - DETAILED PRODUCT, ELECTRICAL, AND MECHANICAL INFORMATION IS AVAILABLE IN THE LATEST HIGH DENSITY D-SUBMINIATURE PRODUCT PUBLICATION. VISIT [CONNECTPOSITRONIC.COM/PRODUCTS/59/HIGHDENSITYD-SUBMINIATURE](http://CONNECTPOSITRONIC.COM/PRODUCTS/59/HIGHDENSITYD-SUBMINIATURE) OR [CONNECTPOSITRONIC.COM](http://CONNECTPOSITRONIC.COM).
  - DIMENSIONS ARE IN INCHES [MILLIMETERS].

	<b>POSITRONIC INDUSTRIES INC.</b> www.connectpositronic.com		FSCM 28198
	DD SERIES	SCALE N.T.S.	DRAWN BY YK
DECIMAL TOL. ± 0.015 [0.38]	TITLE DD15M10GVLO		
ANGULAR TOL. ± 5°	DATE 7-19-05	DRAWING NUMBER SK6348	REV. B