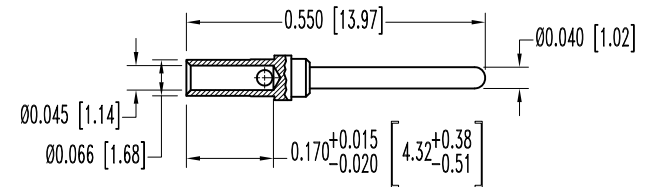
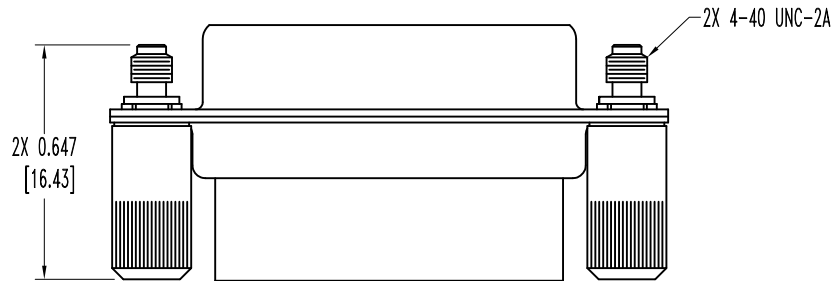
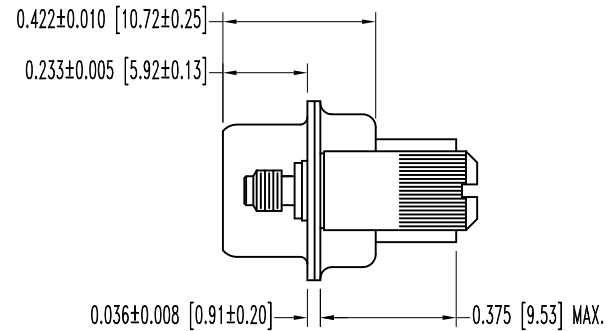
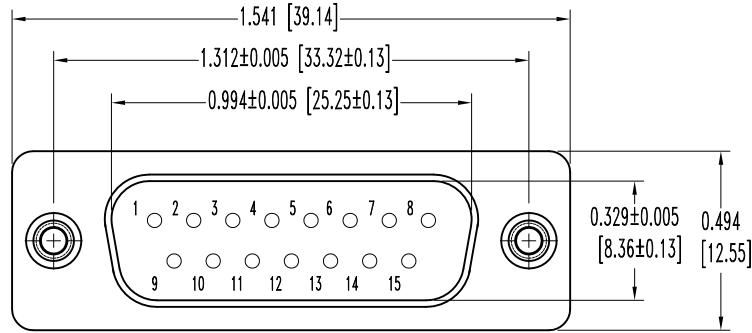


SK12100

THIS DRAWING CONTAINS INFORMATION PROPRIETARY TO POSITRONIC AND ITS SUBSIDIARIES. POSITRONIC BELIEVES THE DATA ON THIS DRAWING TO BE RELIABLE, SINCE THE TECHNICAL INFORMATION IS GIVEN FREE OF CHARGE, THE USER EMPLOYS SUCH INFORMATION AT HIS OWN DISCRETION AND RISK. POSITRONIC ASSUMES NO RESPONSIBILITY FOR RESULTS OBTAINED OR DAMAGES INCURRED FROM USE OF SUCH INFORMATION IN WHOLE OR IN PART.

DATE	REV	REVISION RECORD	APP	DR	CK
1-20-11	NC	ECO 33553	COLE	ME	COLE



15X MALE CONTACT
ENLARGED

NOTES:

1. MATERIALS AND FINISHES:

INSULATOR: GLASS FILLED DAP PER ASTM-D-5948, SDG-F, UL 94V-0, COLOR: GREEN.

CONTACTS: PRECISION MACHINED COPPER ALLOY, GOLD FLASH OVER NICKEL PLATE.

SHELLS: STEEL, ZINC PLATE WITH CHROMATE SEAL.

JACKSCREWS: STEEL WITH ZINC PLATE WITH CHROMATE SEAL.

2. DETAILED PRODUCT, ELECTRICAL, AND MECHANICAL INFORMATION IS AVAILABLE IN THE LATEST STANDARD DENSITY D-SUB PRODUCT PUBLICATION. VISIT CONNECTPOSITRONIC.COM/PRODUCTS/45/STANDARD DENSITY D-SUBMINIATURE OR CONNECTPOSITRONIC.COM.

3. DIMENSIONS ARE IN INCHES [MILLIMETERS].

	POSITRONIC INDUSTRIES INC. www.connectpositronic.com		FSCM 28198
	RD SERIES	SCALE N.T.S.	DRAWN BY ME
DECIMAL TOL. ± 0.015 [0.38]	TITLE RD15M100E0		
ANGULAR TOL. ± 5°	DATE 1-20-11	DRAWING NUMBER SK12100	REV. NC