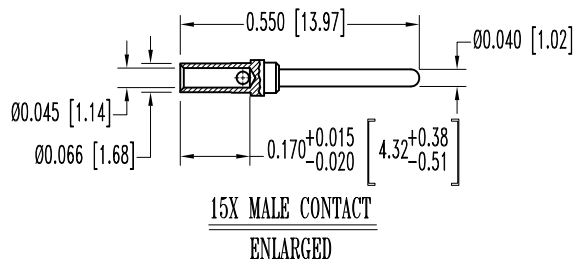
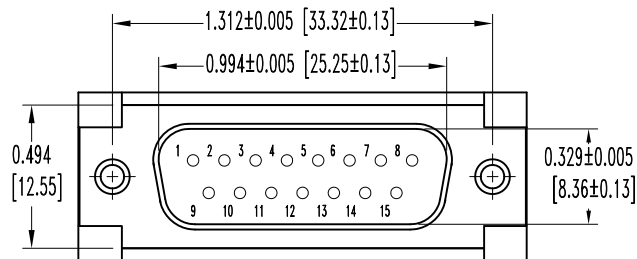
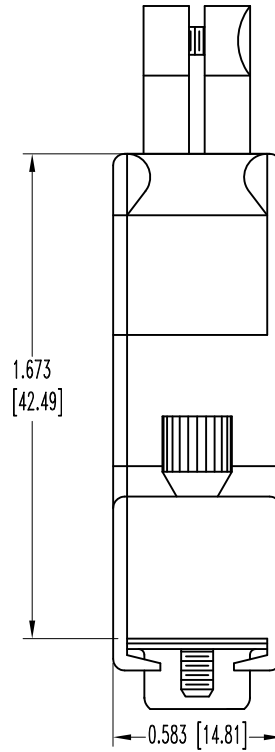
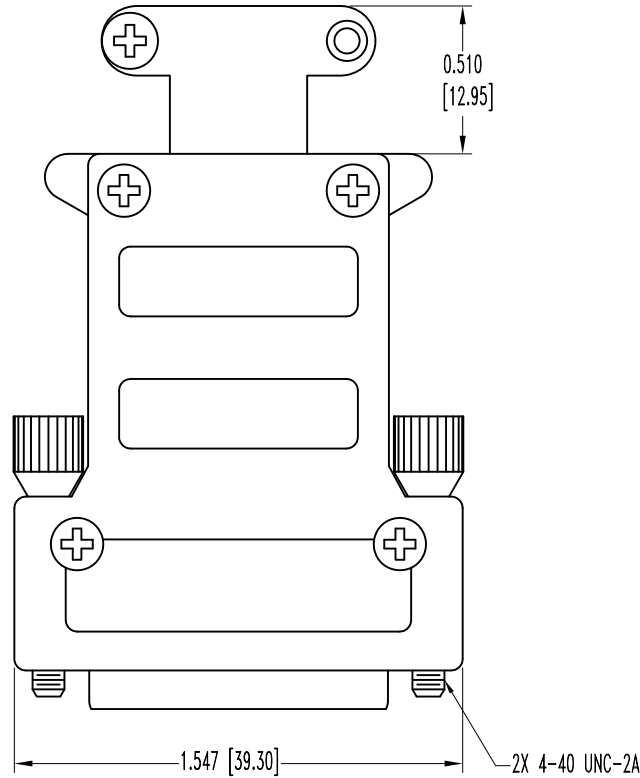


SK9125

THIS DRAWING CONTAINS INFORMATION PROPRIETARY TO POSITRONIC AND ITS SUBSIDIARIES. POSITRONIC BELIEVES THE DATA ON THIS DRAWING TO BE RELIABLE, SINCE THE TECHNICAL INFORMATION IS GIVEN FREE OF CHARGE, THE USER EMPLOYS SUCH INFORMATION AT HIS OWN DISCRETION AND RISK. POSITRONIC ASSUMES NO RESPONSIBILITY FOR RESULTS OBTAINED OR DAMAGES INCURRED FROM USE OF SUCH INFORMATION IN WHOLE OR IN PART.

DATE	REV	REVISION RECORD	APP	DR	CK
12-24-07	NC	ECO 28728	RCW	YK	COLE
1-20-11	A	ECO 33553	COLE	ME	COLE



NOTES:

1. MATERIALS AND FINISHES:

- INSULATOR: GLASS FILLED DAP PER ASTM-D-5948, SDG-F, UL 94V-0, GREEN COLOR.
- CONTACTS: PRECISION MACHINED COPPER ALLOY, GOLD FLASH OVER NICKEL FINISH.
- SHELLS: STEEL, ZINC PLATE WITH CHROMATE SEAL.
- HOOD AND CABLE CLAMPS: ZINC, DIE CAST.
- JACKSCREWS: STEEL WITH NICKEL PLATE.
- SCREWS: STEEL, NICKEL PLATE.

2. DETAILED PRODUCT, ELECTRICAL, AND MECHANICAL INFORMATION IS AVAILABLE IN THE LATEST STANDARD DENSITY D-SUB PRODUCT PUBLICATION. VISIT [CONNECTPOSITRONIC.COM/PRODUCTS/45/STANDARD DENSITY D-SUBMINIATURE](http://CONNECTPOSITRONIC.COM/PRODUCTS/45/STANDARD DENSITY D-SUBMINIATURE) OR [CONNECTPOSITRONIC.COM](http://CONNECTPOSITRONIC.COM).

3. DIMENSIONS ARE IN INCHES [MILLIMETERS].

 <b>POSITRONIC INDUSTRIES INC.</b> <a href="http://www.connectpositronic.com">www.connectpositronic.com</a>		<b>FSCM 28198</b>	
 DECIMAL TOL. $\pm 0.015$ [0.38]	<b>RD SERIES</b>	SCALE <b>N.T.S.</b>	DRAWN BY <b>YK</b>
TITLE <b>RD15M10GE0</b>	APPROVED BY <b>R WILLIAMS</b>		
ANGULAR TOL. $\pm 5^\circ$	DATE <b>12-4-07</b>	DRAWING NUMBER <b>SK9125</b>	REV. <b>A</b>