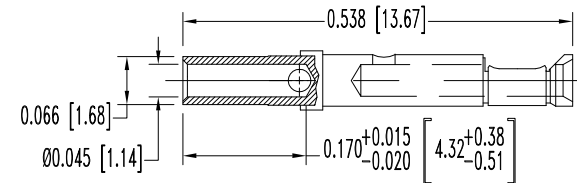
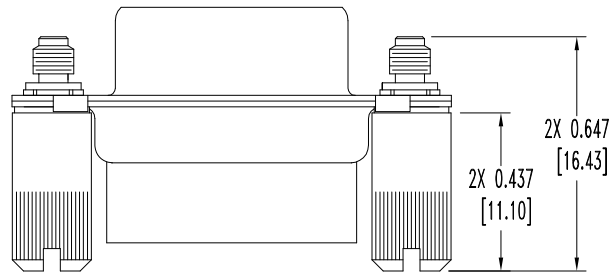
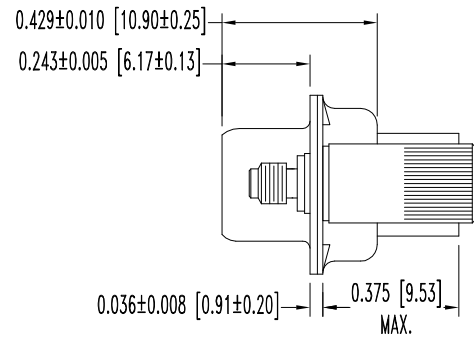
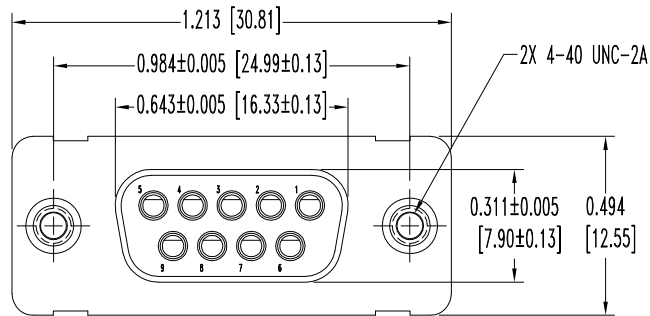


THIS DRAWING CONTAINS INFORMATION PROPRIETARY TO POSITRONIC AND ITS SUBSIDIARIES. POSITRONIC BELIEVES THE DATA ON THIS DRAWING TO BE RELIABLE. SINCE THE TECHNICAL INFORMATION IS GIVEN FREE OF CHARGE, THE USER EMPLOYS SUCH INFORMATION AT HIS OWN DISCRETION AND RISK. POSITRONIC ASSUMES NO RESPONSIBILITY FOR RESULTS OBTAINED OR DAMAGES INCURRED FROM USE OF SUCH INFORMATION IN WHOLE OR IN PART.

| DATE    | REV | REVISION RECORD | APP  | DR | CK   |
|---------|-----|-----------------|------|----|------|
| 5-26-09 | NC  | ECO 31107       | RCW  | ME | TK   |
| 5-26-10 | A   | ECO 32527       | COLE | BS | COLE |
|         |     |                 |      |    |      |
|         |     |                 |      |    |      |



9X FEMALE CONTACT  
ENLARGED

NOTES:

1. MATERIALS AND FINISHES:

INSULATOR: GLASS FILLED DAP PER ASTM-D5948, SDG-F, UL 94V-0, COLOR: GREEN.  
CONTACTS: PRECISION MACHINED COPPER ALLOY WITH BERYLLIUM COPPER CLIP, GOLD FLASH OVER NICKEL PLATE.  
SHELLS: STAINLESS STEEL, PASSIVATED.  
JACKSCREWS: STEEL, ZINC PLATE WITH CHROMATE SEAL.

2. DETAILED PRODUCT, MECHANICAL, AND ELECTRICAL INFORMATION IS AVAILABLE IN THE LATEST STANDARD DENSITY D-SUB PRODUCT PUBLICATION. VISIT [CONNECTPOSITRONIC.COM/PRODUCTS/45/STANDARD DENSITY D-SUBMINIATURE OR CONNECTPOSITRONIC.COM](http://CONNECTPOSITRONIC.COM/PRODUCTS/45/STANDARD DENSITY D-SUBMINIATURE OR CONNECTPOSITRONIC.COM).

3. DIMENSIONS ARE IN INCHES [MILLIMETERS].

|                           |  |                           |                           |
|---------------------------|--|---------------------------|---------------------------|
|                           | <b>POSITRONIC INDUSTRIES INC.</b><br>www.connectpositronic.com |                           | FSCM 28198                |
|                           | DECIMAL TOL.<br>± 0.015 [0.38]                                 | RD SERIES                 | SCALE<br>N.T.S.           |
| ANGULAR TOL.<br>± 5°      | DATE<br>5-26-09  | DRAWING NUMBER<br>SK10804 | APPROVED BY<br>R WILLIAMS |
| TITLE<br><b>RD9S100ES</b> |  |                           |                           |
|                           |  |                           | REV.<br>A                 |