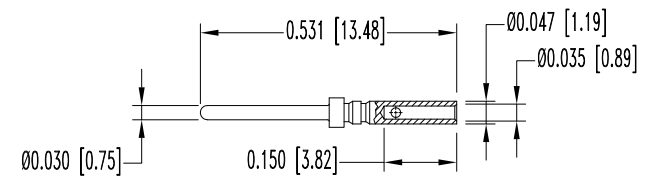
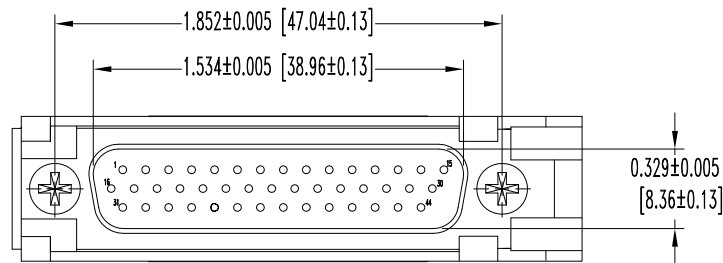
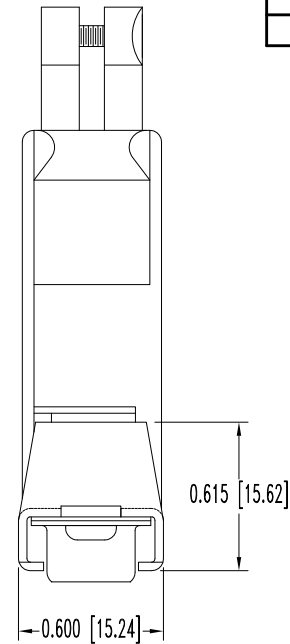
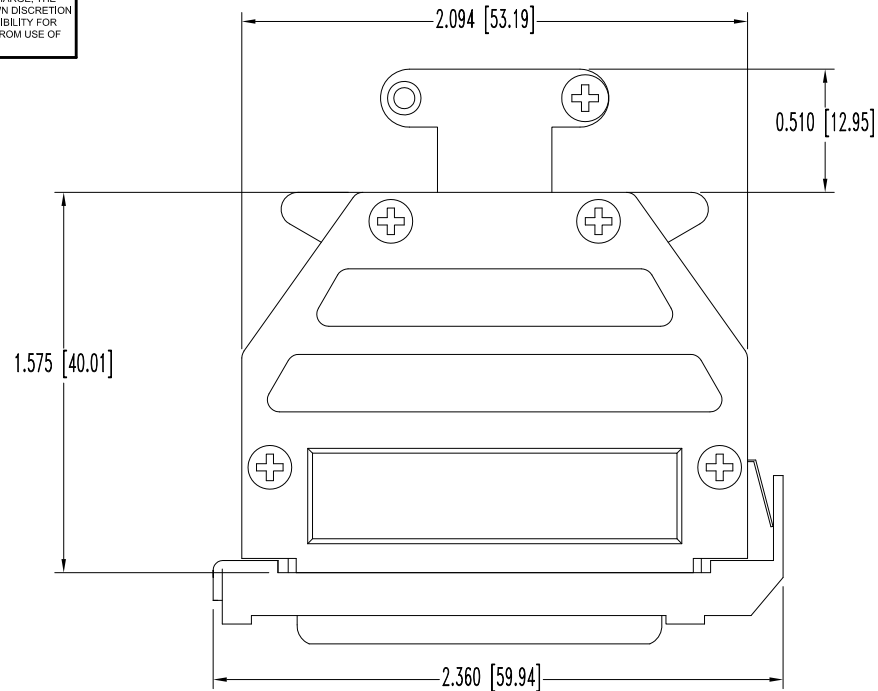


SK9644

THIS DRAWING CONTAINS INFORMATION PROPRIETARY TO POSITRONIC AND ITS SUBSIDIARIES. POSITRONIC BELIEVES THE DATA ON THIS DRAWING TO BE RELIABLE, SINCE THE TECHNICAL INFORMATION IS GIVEN FREE OF CHARGE. THE USER EMPLOYS SUCH INFORMATION AT HIS OWN DISCRETION AND RISK. POSITRONIC ASSUMES NO RESPONSIBILITY FOR RESULTS OBTAINED OR DAMAGES INCURRED FROM USE OF SUCH INFORMATION IN WHOLE OR IN PART.

DATE	REV	REVISION RECORD	APP	DR	CK
8-21-08	NC	ECO 29888	TK	YK	TK



MALE CONTACT
44X (ENLARGED)

NOTES:

1. MATERIALS AND FINISHES:

- INSULATOR: GLASS FILLED POLYESTER PER MIL-M-24519, UL 94V-0, COLOR BLUE.
- CONTACTS: PRECISION MACHINED HIGH TENSILE COPPER ALLOY, GOLD FLASH OVER NICKEL FINISH.
- SHELLS: STEEL, ZINC PLATE WITH CHROMATE SEAL.
- HOOD: ZINC, DIE CAST.
- CABLE CLAMPS: ZINC, DIE CAST.
- LOCK LEVER: STEEL, NICKEL PLATE.
- CABLE CLAMP AND COVER SCREWS: STEEL, NICKEL PLATE.
- MOUNTING SCREWS: STEEL, ZINC PLATE WITH CHROMATE SEAL.

2. ELECTRICAL CHARACTERISTICS:

- CONTACT CURRENT RATING: 5 AMPERES NOMINAL.
- INITIAL CONTACT RESISTANCE: 0.005 OHMS MAXIMUM.
- INSULATOR RESISTANCE: 5 G OHMS.
- WORKING VOLTAGE: 300 V r.m.s.

3. WORKING TEMPERATURE: -55°C TO +125°C.

4. DIMENSIONS ARE IN INCHES [MILLIMETERS].

	POSITRONIC INDUSTRIES INC. www.connectpositronic.com		FSCM 28198
		DD SERIES	SCALE N.T.S.
DECIMAL TOL. $\pm 0.015 [0.38]$	TITLE DD44M10GVLO		
ANGULAR TOL. $\pm 5^\circ$	DATE 8-21-08	DRAWING NUMBER SK9644	REV. NC
		APPROVED BY T KEPLEY	