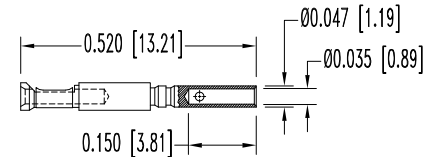
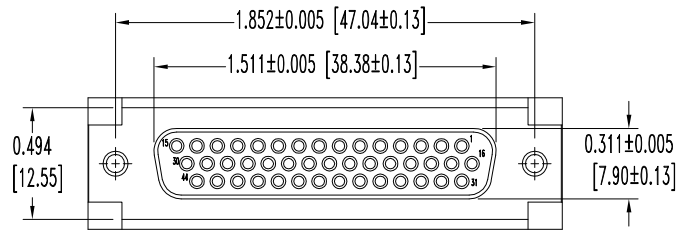
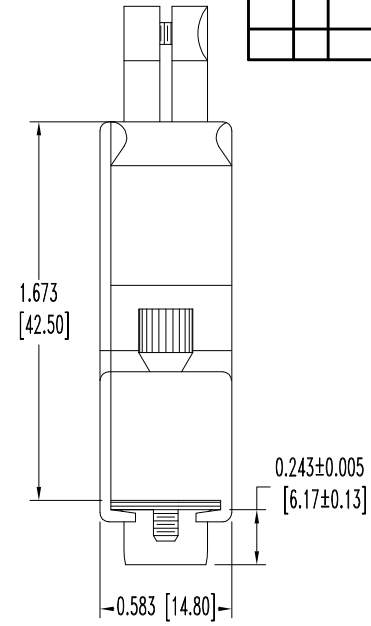
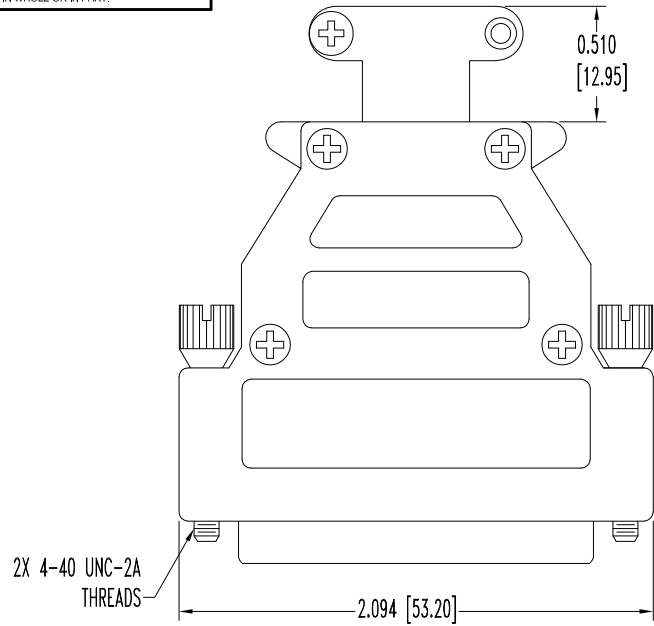


SK10255

THIS DRAWING CONTAINS INFORMATION PROPRIETARY TO POSITRONIC AND ITS SUBSIDIARIES. POSITRONIC BELIEVES THE DATA ON THIS DRAWING TO BE RELIABLE. SINCE THE TECHNICAL INFORMATION IS GIVEN FREE OF CHARGE, THE USER EMPLOYS SUCH INFORMATION AT HIS OWN DISCRETION AND RISK. POSITRONIC ASSUMES NO RESPONSIBILITY FOR RESULTS OBTAINED OR DAMAGES INCURRED FROM USE OF SUCH INFORMATION IN WHOLE OR IN PART.

DATE	REV	REVISION RECORD	APP	DR	CK
1-21-09	NC	ECO 30503	RCW	YK	TK
4-15-10	A	ECO 32359	COLE	ME	SY



44X FEMALE CONTACT
ENLARGED

NOTES:

1. MATERIALS AND FINISHES:

INSULATOR: GLASS FILLED POLYESTER PER ASTM D5927, UL 94V-0, BLUE COLOR.

CONTACTS: BRASS, GOLD FLASH OVER NICKEL FINISH.

SHELLS: STEEL, ZINC PLATE WITH CHROMATE SEAL.

HOOD AND CABLE CLAMPS: ZINC, DIE CAST.

JACKSCREWS: STEEL, NICKEL PLATE.

CABLE CLAMP SCREWS AND COVER SCREWS: STEEL, NICKEL PLATE.

2. DETAILED PRODUCT, ELECTRICAL, AND MECHANICAL INFORMATION IS AVAILABLE

IN THE LATEST HIGH DENSITY D-SUB PRODUCT PUBLICATION. VISIT

CONNECTPOSITRONIC.COM/PRODUCTS/59/HIGHDENSITYD-SUBMINIATURE

OR CONNECTPOSITRONIC.COM.

3. DIMENSIONS ARE IN INCHES [MILLIMETERS].

		POSITRONIC INDUSTRIES INC. www.connectpositronic.com		FSCM 28198
		DD SERIES	SCALE N.T.S.	DRAWN BY YK
DECIMAL TOL. ± 0.015 [0.38]		APPROVED BY R WILLIAMS		
TITLE DD44S10GE0				
ANGULAR TOL. $\pm 5^\circ$		DATE 1-21-09	DRAWING NUMBER SK10255	REV. A