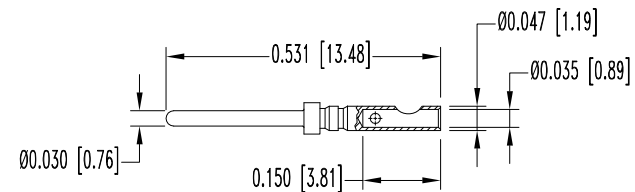
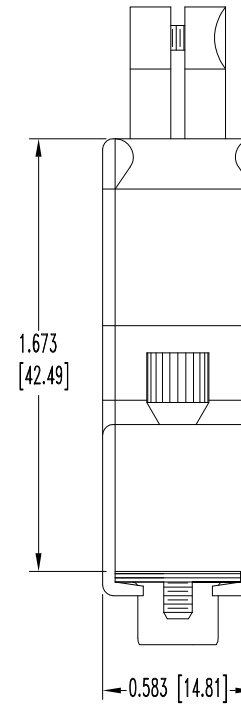
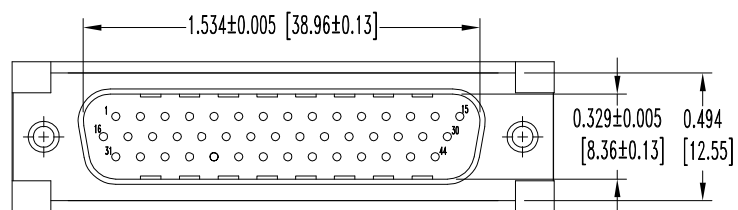
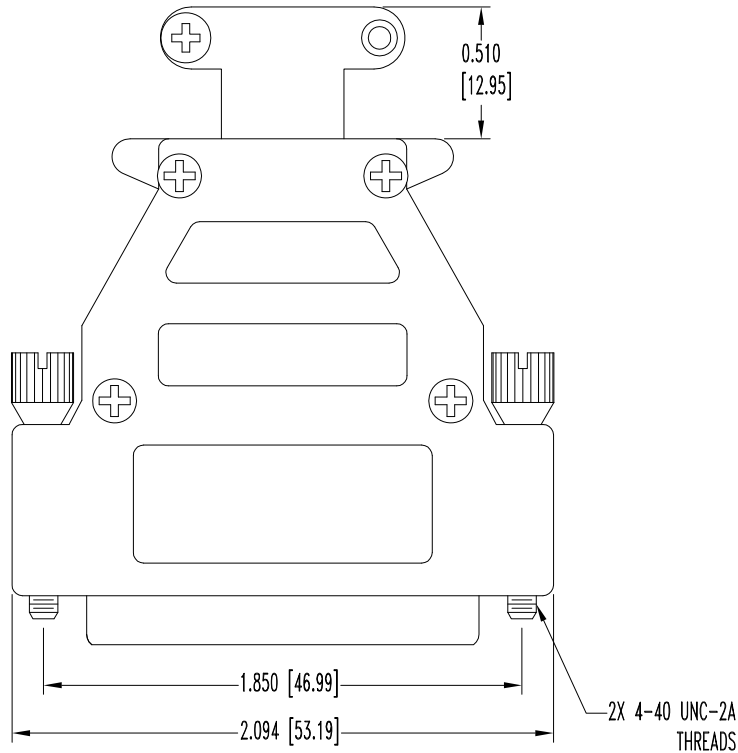


SK4293

THIS DRAWING CONTAINS INFORMATION PROPRIETARY TO POSITRONIC AND ITS SUBSIDIARIES. POSITRONIC BELIEVES THE DATA ON THIS DRAWING TO BE RELIABLE. SINCE THE TECHNICAL INFORMATION IS GIVEN FREE OF CHARGE, THE USER EMPLOYS SUCH INFORMATION AT HIS OWN DISCRETION AND RISK. POSITRONIC ASSUMES NO RESPONSIBILITY FOR RESULTS OBTAINED OR DAMAGES INCURRED FROM USE OF SUCH INFORMATION IN WHOLE OR IN PART.

DATE	REV	REVISION RECORD	APP	DR	CK
5-2-02	NC	ECO 19378	RCW	ME	TK
4-13-10	A	ECO 32349	COLE	ME	SY



44X MALE CONTACT
ENLARGED

NOTES:

1. MATERIALS AND FINISHES:

- INSULATOR: GLASS FILLED POLYESTER PER ASTM D5927, UL 94V-0, COLOR BLUE.
- CONTACTS: PRECISION MACHINED BRASS, GOLD FLASH OVER NICKEL.
- SHELLS: STEEL WITH TIN PLATED AND DIMPLED.
- HOOD: ZINC, DIE CAST.
- JACKSCREWS: STEEL WITH ZINC PLATE.

2. DETAILED PRODUCT, ELECTRICAL, AND MECHANICAL INFORMATION IS AVAILABLE IN THE LATEST HIGH DENSITY D-SUB PRODUCT PUBLICATION. VISIT CONNECTPOSITRONIC.COM/PRODUCTS/59/HIGHDENSITYD-SUBMINIATURE OR CONNECTPOSITRONIC.COM.

3. DIMENSIONS ARE IN INCHES [MILLIMETERS].

 POSITRONIC INDUSTRIES INC. www.connectpositronic.com		FSCM 28198	
		SCALE	DRAWN BY
DD SERIES		N.T.S.	M. ENEA
DECIMAL TOL. ± 0.015 [0.38]		APPROVED BY RCW	
TITLE DD44M20GEZ			
DATE 5-2-02		DRAWING NUMBER SK4293	
ANGULAR TOL. ± 5°		REV. A	