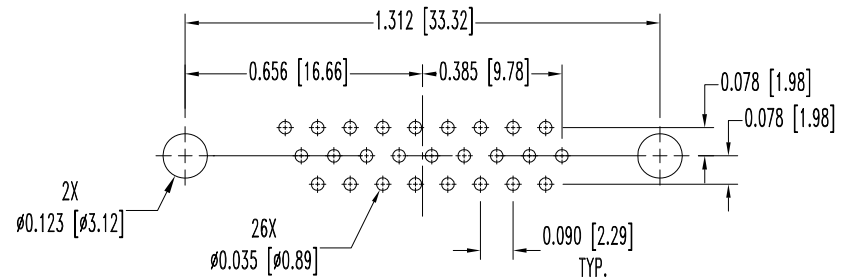
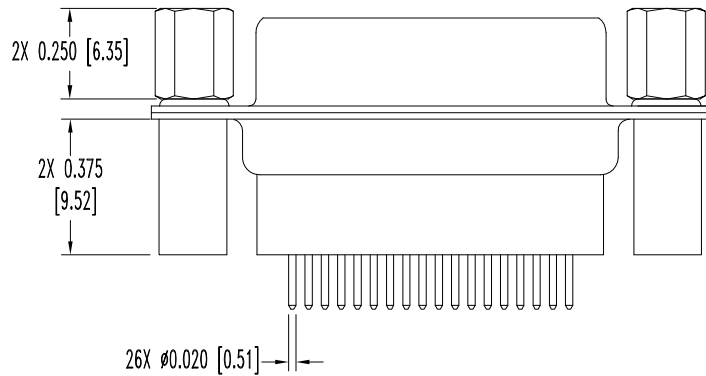
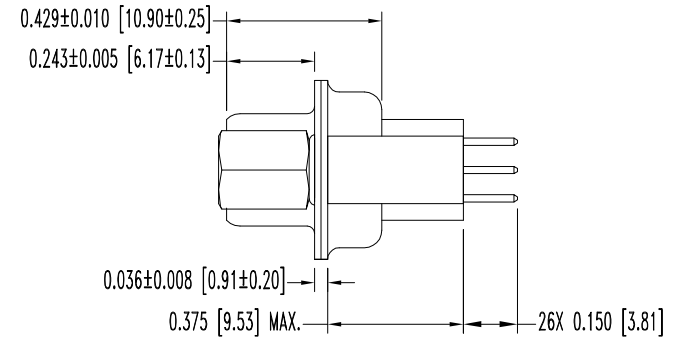
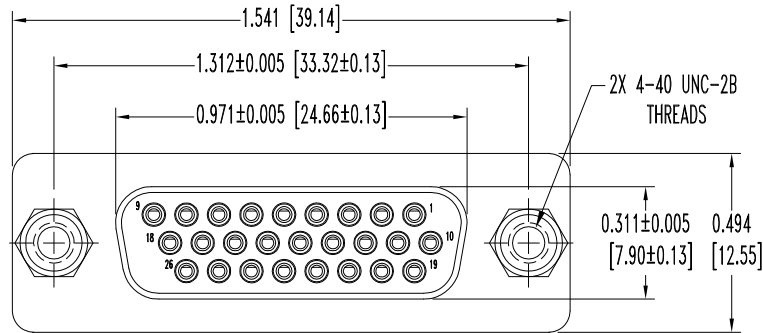


THIS DRAWING CONTAINS INFORMATION PROPRIETARY TO POSITRONIC IND. INC. ANY REPRODUCTION, DISCLOSURE OR USE OF THIS DRAWING IS EXPRESSLY PROHIBITED, EXCEPT AS POSITRONIC IND. INC. MAY OTHERWISE AGREE IN WRITING.

DATE	REV	REVISION RECORD	APP	DR	CK
1-19-09	NC	ECO 30500	RCW	YK	TK
4-7-10	A	ECO 32333	COLE	ME	COLE



CONTACT HOLE PATTERN

NOTES:

- MATERIALS AND FINISHES:
 INSULATOR: GLASS FILLED POLYESTER PER ASTM D5927, UL 94V-0, BLUE COLOR.
 CONTACTS: BRASS, GOLD FLASH OVER NICKEL FINISH.
 SHELLS: STEEL, ZINC PLATE WITH CHROMATE SEAL.
 JACKSCREWS: BRASS, ZINC PLATE WITH CHROMATE SEAL.
 MOUNTING SPACERS: STEEL, ZINC PLATE WITH CHROMATE SEAL.
- DETAILED PRODUCT, ELECTRICAL, AND MECHANICAL INFORMATION IS AVAILABLE IN THE LATEST HIGH DENSITY D-SUB PRODUCT PUBLICATION. VISIT CONNECTPOSITRONIC.COM/PRODUCTS/59/HIGHDENSITYD-SUBMINIATURE OR CONNECTPOSITRONIC.COM.
- DIMENSIONS ARE IN INCHES [MILLIMETERS].

	POSITRONIC INDUSTRIES INC. SPRINGFIELD, MISSOURI 65801	
	DD SERIES	SCALE N.T.S.
DECIMAL TOL. ±0.015 [0.38]	TITLE DD26S3S0T0	
ANGULAR TOL. ± 5°	DATE 1-19-09	DRAWING NUMBER SK10244
		APPROVED BY R WILLIAMS
		REV. A