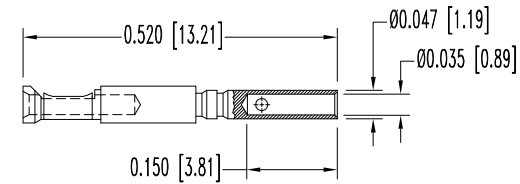
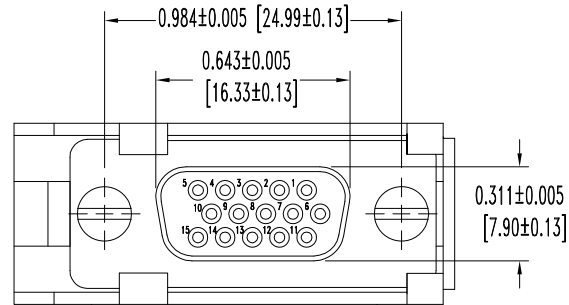
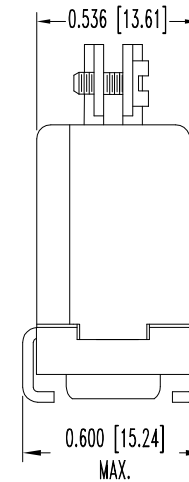
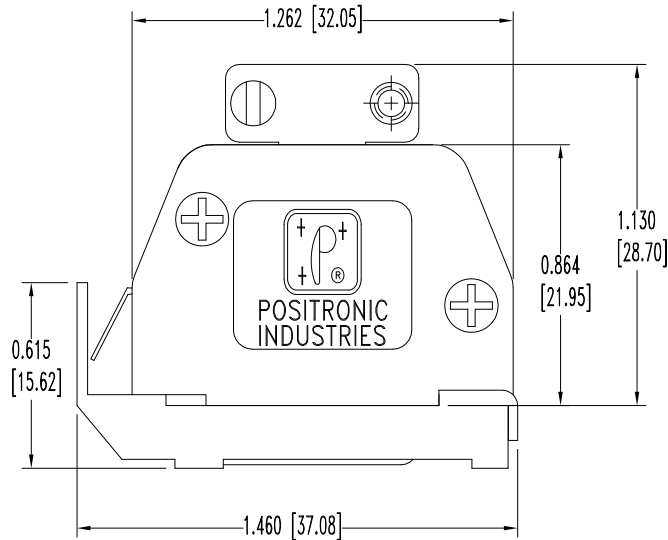


THIS DRAWING CONTAINS INFORMATION PROPRIETARY TO POSITRONIC AND ITS SUBSIDIARIES. POSITRONIC BELIEVES THE DATA ON THIS DRAWING TO BE RELIABLE. SINCE THE TECHNICAL INFORMATION IS GIVEN FREE OF CHARGE, THE USER EMPLOYS SUCH INFORMATION AT HIS OWN DISCRETION AND RISK. POSITRONIC ASSUMES NO RESPONSIBILITY FOR RESULTS OBTAINED OR DAMAGES INCURRED FROM USE OF SUCH INFORMATION IN WHOLE OR IN PART.

DATE	REV	REVISION RECORD	APP	DR	CK
1-19-09	NC	ECO 30497	RCW	YK	TK
3-30-10	A	ECO 32307	COLE	ME	COLE

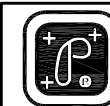


### FEMALE CONTACT

15X (ENLARGED)

#### NOTES:

- MATERIALS AND FINISHES:  
 INSULATOR: GLASS FILLED POLYESTER PER ASTM D5927, UL 94V-0, COLOR BLUE.  
 CONTACTS: BRASS, GOLD FLASH OVER NICKEL FINISH.  
 SHELLS: STEEL, ZINC PLATE WITH CHROMATE SEAL.  
 HOOD AND COVER: GLASS FILLED NYLON, 94V-0, BLACK.  
 LOCK LEVER: STEEL, NICKEL PLATE.  
 CABLE CLAMPS: STEEL, NICKEL PLATE.  
 CABLE CLAMP SCREWS: BRASS, ZINC PLATE WITH CHROMATE SEAL.  
 COVER SCREWS: STEEL, ZINC PLATE WITH CHROMATE SEAL.  
 MOUNTING SCREWS: STEEL, ZINC PLATE WITH CHROMATE SEAL.
- DETAILED PRODUCT, ELECTRICAL, AND MECHANICAL INFORMATION IS AVAILABLE IN THE LATEST HIGH DENSITY D-SUB PRODUCT PUBLICATION. VISIT [CONNECTPOSITRONIC.COM/PRODUCTS/59/HIGHDENSITYD-SUBMINIATURE](http://CONNECTPOSITRONIC.COM/PRODUCTS/59/HIGHDENSITYD-SUBMINIATURE) OR [CONNECTPOSITRONIC.COM](http://CONNECTPOSITRONIC.COM).
- DIMENSIONS ARE IN INCHES [MILLIMETERS].



**POSITRONIC INDUSTRIES INC.**  
[www.connectpositronic.com](http://www.connectpositronic.com)

FSCM 28198

 ANGULAR TOL. ± 5°	DATE 1-19-09	DRAWING NUMBER SK10229	REV. A	SCALE N.T.S.	DRAWN BY YK
				DECIMAL TOL. ± 0.015 [0.38]	TITLE DD SERIES
DD15S10JVLO					