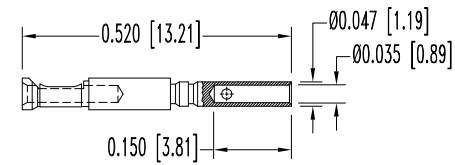
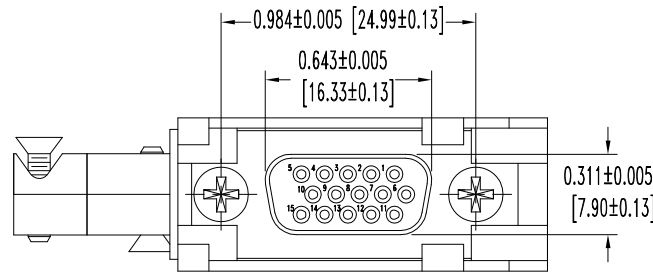
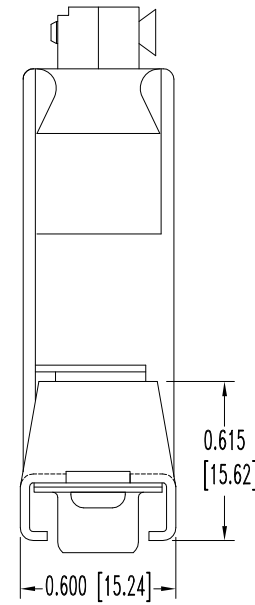
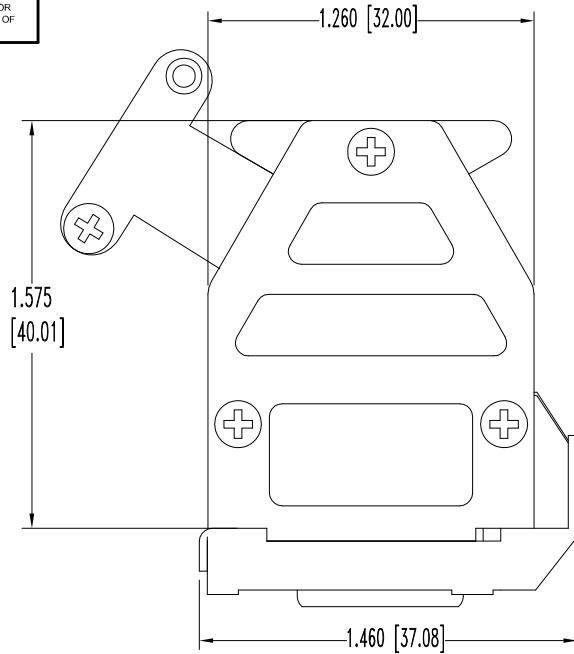


THIS DRAWING CONTAINS INFORMATION PROPRIETARY TO POSITRONIC AND ITS SUBSIDIARIES. POSITRONIC BELIEVES THE DATA ON THIS DRAWING TO BE RELIABLE. SINCE THE TECHNICAL INFORMATION IS GIVEN FREE OF CHARGE, THE USER EMPLOYS SUCH INFORMATION AT HIS OWN DISCRETION AND RISK. POSITRONIC ASSUMES NO RESPONSIBILITY FOR RESULTS OBTAINED OR DAMAGES INCURRED FROM USE OF SUCH INFORMATION IN WHOLE OR IN PART.

DATE	REV	REVISION RECORD	APP	DR	CK
1-19-09	NC	ECO 30497	RCW	YK	TK
3-30-10	A	ECO 32307	COLE	ME	COLE



**FEMALE CONTACT**  
15X (ENLARGED)

**NOTES:**

- MATERIALS AND FINISHES:**  
 INSULATOR: GLASS FILLED POLYESTER PER ASTM D5927, UL 94V-0, COLOR BLUE.  
 CONTACTS: BRASS, GOLD FLASH OVER NICKEL FINISH.  
 SHELLS: STEEL, ZINC PLATE WITH CHROMATE SEAL.  
 HOOD: ZINC, DIE CAST.  
 CABLE CLAMPS: ZINC, DIE CAST.  
 LOCK LEVER: STEEL, NICKEL PLATE.  
 CABLE CLAMP AND COVER SCREWS: STEEL, NICKEL PLATE.  
 MOUNTING SCREWS: STEEL, ZINC PLATE WITH CHROMATE SEAL.
- DETAILED PRODUCT, ELECTRICAL, AND MECHANICAL INFORMATION IS AVAILABLE IN THE LATEST HIGH DENSITY D-SUB PRODUCT PUBLICATION. VISIT [CONNECTPOSITRONIC.COM/PRODUCTS/59/HIGHDENSITYD-SUBMINIATURE](http://CONNECTPOSITRONIC.COM/PRODUCTS/59/HIGHDENSITYD-SUBMINIATURE) OR [CONNECTPOSITRONIC.COM](http://CONNECTPOSITRONIC.COM).
- DIMENSIONS ARE IN INCHES [MILLIMETERS].

	<b>POSITRONIC INDUSTRIES INC.</b> www.connectpositronic.com		FSCM 28198
	DD SERIES	SCALE N.T.S.	DRAWN BY YK
DECIMAL TOL. ± 0.015 [0.38]	TITLE DD15S10GVLO		
ANGULAR TOL. ± 5°	DATE 1-19-09	DRAWING NUMBER SK10228	REV. A