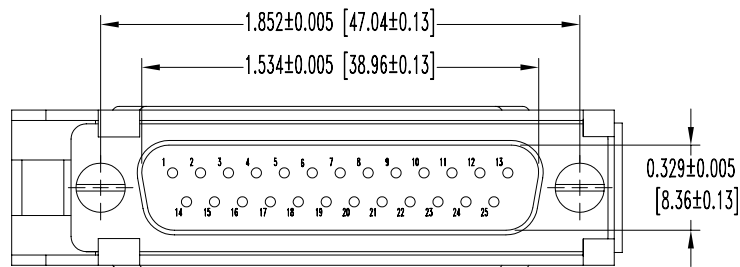
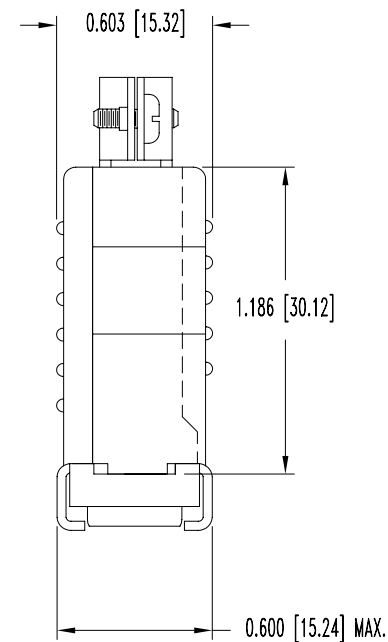
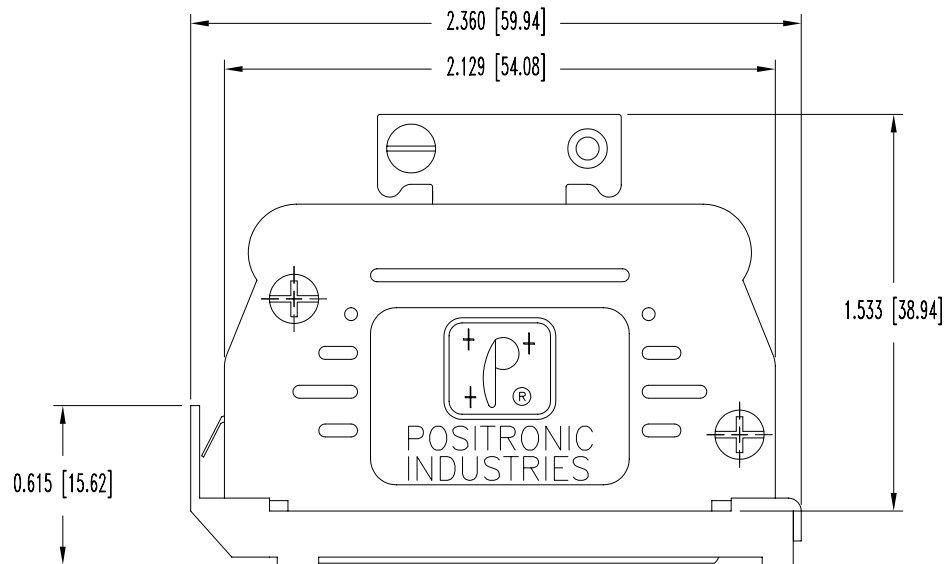


SK8810

POSITRONIC INDUSTRIES BELIEVES THE DATA ON THIS DRAWING TO BE RELIABLE. SINCE THE TECHNICAL INFORMATION IS GIVEN FREE OF CHARGE, THE USER EMPLOYS SUCH INFORMATION AT HIS OWN DISCRETION AND RISK. POSITRONIC INDUSTRIES ASSUMES NO RESPONSIBILITY FOR RESULTS OBTAINED OR DAMAGES INCURRED FROM USE OF SUCH INFORMATION IN WHOLE OR IN PART.

DATE	REV	REVISION RECORD	APP	DR	CK
8-3-07	NC	ECO 28262	RCW	YK	TK



NOTES:

1. MATERIALS AND FINISHES:


- INSULATOR: GLASS FILLED DAP PER ASTM-D-5948, SDG-F, UL 94V-0, GREEN COLOR.
- SHELLS: STEEL, ZINC PLATE WITH CHROMATE SEAL.
- HOOD AND COVER: GLASS FILLED NYLON, 94V-0, BLACK.
- LOCK LEVER: STEEL, NICKEL PLATE.
- CABLE CLAMPS: STEEL, NICKEL PLATE.
- CABLE CLAMP SCREWS: BRASS, ZINC PLATE WITH CHROMATE SEAL.
- COVER SCREWS: STEEL, ZINC PLATE WITH CHROMATE SEAL.
- MOUNTING SCREWS: STEEL, ZINC PLATE WITH CHROMATE SEAL.

2. ELECTRICAL CHARACTERISTICS:

- INSULATOR RESISTANCE: 5 G OHMS.
- WORKING VOLTAGE: 300 V r.m.s.

3. TEMPERATURE RANGE: -55°C TO +125°C.

4. DIMENSIONS ARE IN INCHES [MILLIMETERS].

	POSITRONIC INDUSTRIES INC. www.connectpositronic.com		FSCM 28198
	RD SERIES	SCALE N.T.S.	DRAWN BY YK
DECIMAL TOL. ± 0.015 [0.38]	TITLE RD25M00JVLO		
ANGULAR TOL. ± 5°	DATE 8-3-07	DRAWING NUMBER SK8810	REV. NC