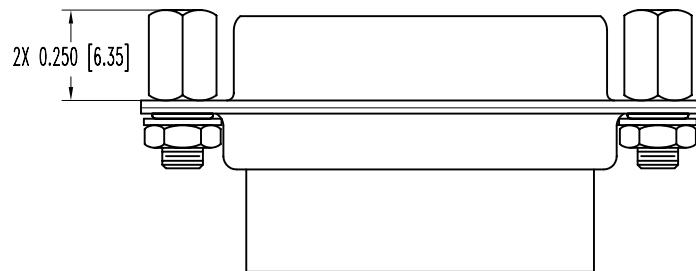
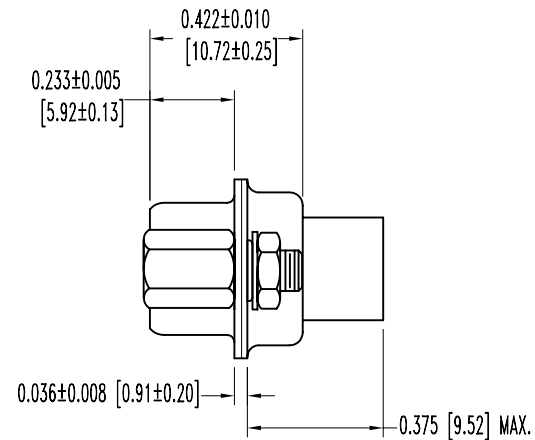
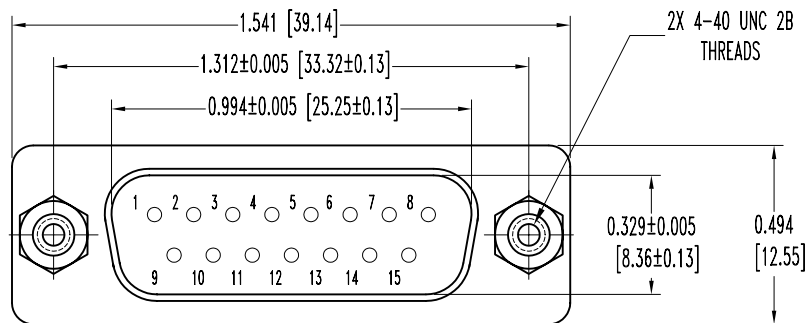


SK7871

POSITRONIC INDUSTRIES BELIEVES THE DATA ON THIS DRAWING TO BE RELIABLE. SINCE THE TECHNICAL INFORMATION IS GIVEN FREE OF CHARGE, THE USER EMPLOYS SUCH INFORMATION AT HIS OWN DISCRETION AND RISK. POSITRONIC INDUSTRIES ASSUMES NO RESPONSIBILITY FOR RESULTS OBTAINED OR DAMAGES INCURRED FROM USE OF SUCH INFORMATION IN WHOLE OR IN PART.

DATE	REV	REVISION RECORD	APP	DR	CK
8-14-06	NC	ECO 26508		YK	



NOTES:

1. MATERIALS AND FINISHES:


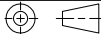
- INSULATOR: GLASS FILLED DAP PER ASTM-D-5948, SDG-F, UL 94V-0, COLOR GREEN.
- SHELLS: STEEL, ZINC PLATE WITH CHROMATE SEAL.
- JACKSCREWS: BRASS, ZINC PLATE WITH CHROMATE SEAL.
- HEX NUTS: BRASS, ZINC PLATE WITH CHROMATE SEAL.
- LOCKWASHERS: BRONZE, ZINC PLATE WITH CHROMATE SEAL.

2. ELECTRICAL CHARACTERISTICS:

INSULATOR RESISTANCE: 5 G OHMS.

3. TEMPERATURE RANGE: -55°C TO +125°C.

5. DIMENSIONS ARE IN INCHES [MILLIMETERS].

		POSITRONIC INDUSTRIES INC. www.connectpositronic.com	
	RD SERIES	SCALE N.T.S.	DRAWN BY YK
DECIMAL TOL. ± 0.015 [0.38]	TITLE RD15M000T0		
ANGULAR TOL. ± 5°	DATE 8-14-06	DRAWING NUMBER SK7871	REV. NC
		APPROVED BY	