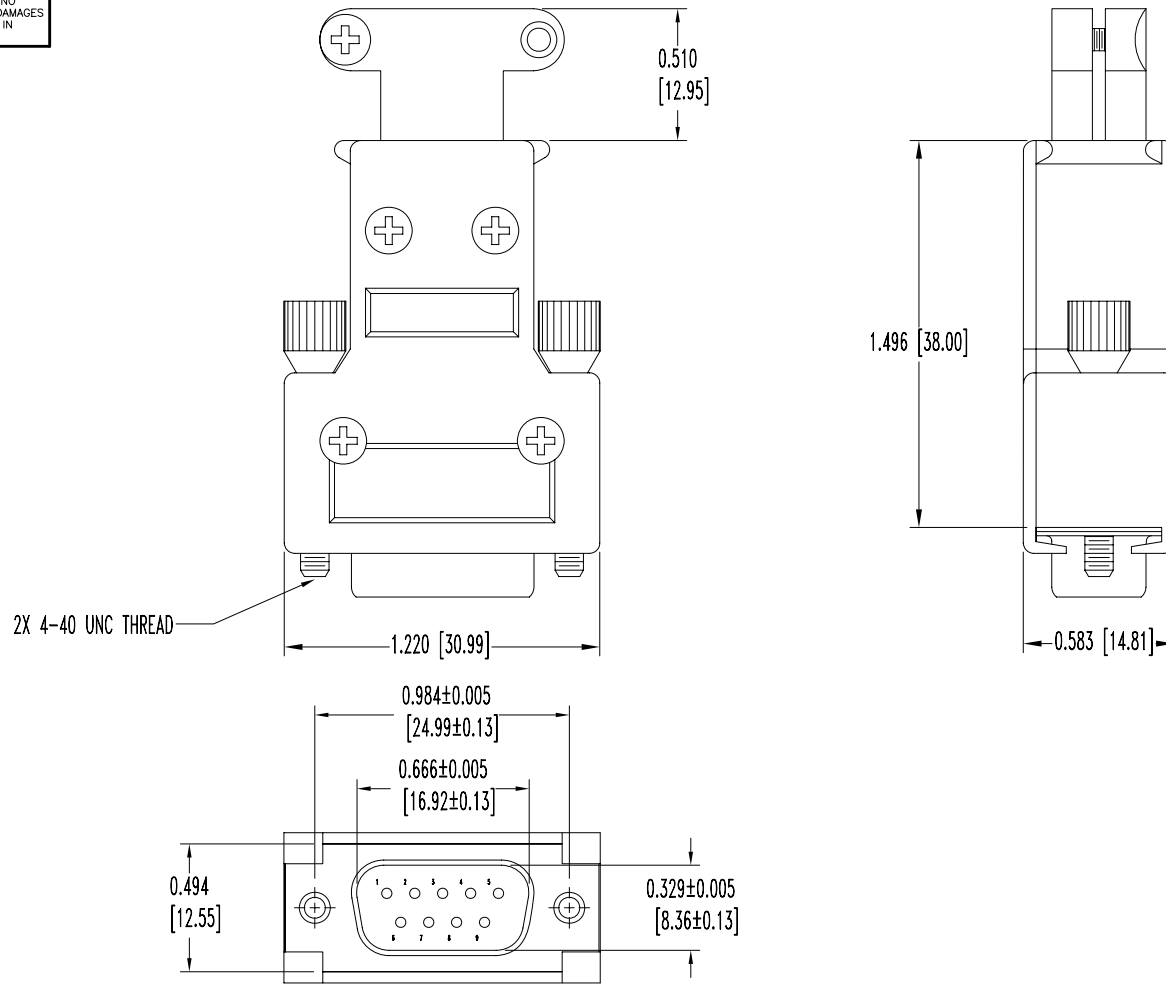


SK8771

POSITRONIC INDUSTRIES BELIEVES THE DATA ON THIS DRAWING TO BE RELIABLE. SINCE THE TECHNICAL INFORMATION IS GIVEN FREE OF CHARGE, THE USER EMPLOYS SUCH INFORMATION AT HIS OWN DISCRETION AND RISK. POSITRONIC INDUSTRIES ASSUMES NO RESPONSIBILITY FOR RESULTS OBTAINED OR DAMAGES INCURRED FROM USE OF SUCH INFORMATION IN WHOLE OR IN PART.

DATE	REV	REVISION RECORD	APP	DR	CK
7-25-07	NC	ECO 28205	RCW	YK	TK



NOTES:

1. MATERIALS AND FINISHES:


- INSULATOR: GLASS FILLED DAP PER ASTM-D-5948, SDG-F, UL 94V-0, GREEN COLOR.
- SHELLS: STEEL, CADMIUM PLATE WITH CHROMATE SEAL.
- HOOD: ZINC, DIE CAST.
- CABLE CLAMPS: ZINC, DIE CAST.
- JACKSCREWS: STEEL, NICKEL PLATE.
- SCREWS: STEEL, NICKEL PLATE.

2. ELECTRICAL CHARACTERISTICS:

- INSULATOR RESISTANCE: 5 G OHMS.
- WORKING VOLTAGE: 300 V r.m.s.

3. TEMPERATURE RANGE: -55°C TO +125°C.

4. DIMENSIONS ARE IN INCHES [MILLIMETERS].

		POSITRONIC INDUSTRIES INC. www.connectpositronic.com		FSCM 28198
		RD SERIES	SCALE N.T.S.	DRAWN BY YK
DECIMAL TOL. ± 0.015 [0.38]	TITLE RD9M00GEC		APPROVED BY RCW	
ANGULAR TOL. ± 5°	DATE 7-25-07	DRAWING NUMBER SK8771	REV. NC	