

6

5

4

3

2

1

D

D

C

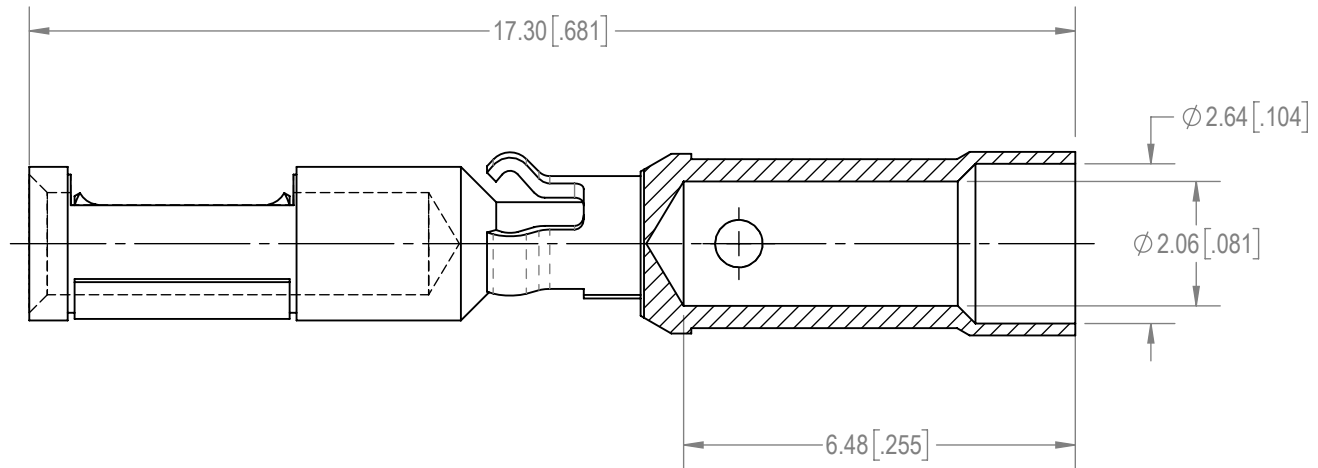
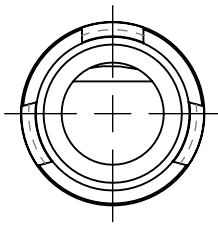
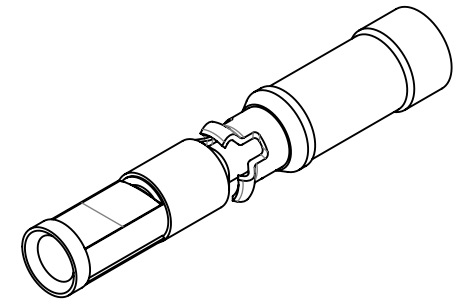
C

B

B

A

A



NOTES:

- MATERIALS AND FINISH:
CONTACT: PRECISION MACHINED COPPER ALLOY, GOLD FLASH OVER NICKEL PLATE.
POSIBAND SPRING CLIP: BERYLLIUM COPPER, GOLD FLASH OVER NICKEL PLATE.
RETAINER: BERYLLIUM COPPER, NICKEL PLATE.
- CONTACT IS COMPLIANT TO THE CURRENT RoHS DIRECTIVE.
- DETAILED PRODUCT, MECHANICAL AND ELECTRICAL INFORMATION IS AVAILABLE IN THE LATEST HIGH DENSITY COMBO-D PRODUCT PUBLICATION AT CONNECTPOSITRONIC.COM.
- CRIMPING TOOL INFORMATION IS AVAILABLE AT WWW.CONNECTPOSITRONIC.COM/CrimpToolCrosslist.

BY APG	CHK SS	3RD ANGLE 	POSITRONIC BELIEVES THE DATA ON THE DRAWING TO BE RELIABLE. THE USER EMPLOYS SUCH INFORMATION AT HIS OWN DISCRETION AND RISK. POSITRONIC ASSUMES NO RESPONSIBILITY FOR RESULTS OBTAINED OR DAMAGES INCURRED FROM USE OF SUCH INFORMATION IN WHOLE OR IN PART.	 Positronic® CONNECTPOSITRONIC.COM
APR PA	RELEASED DATE: 2021-03-08	SCALE NTS		
TOLERANCES ±0.03mm [.001 INCHES] FOR MALE CONTACT MATING DIAMETERS ±0.08mm [.003 INCHES] FOR CONTACT TERMINATION DIAMETERS ±0.13mm [.005 INCHES] FOR ALL OTHER DIAMETERS ±0.38mm [.015 INCHES] FOR ALL OTHER DIMENSIONS ±5° FOR ALL ANGLES DIMENSION ARE IN MILLIMETERS [INCHES]		PART NUMBER FC114N4/AA	SERIES CBCD	
		TITLE FC114N4/AA		
CREATED ON: 2021-01-31	SHEET SHEET 1 OF 1	REV A		

6

5

4

3

2

1