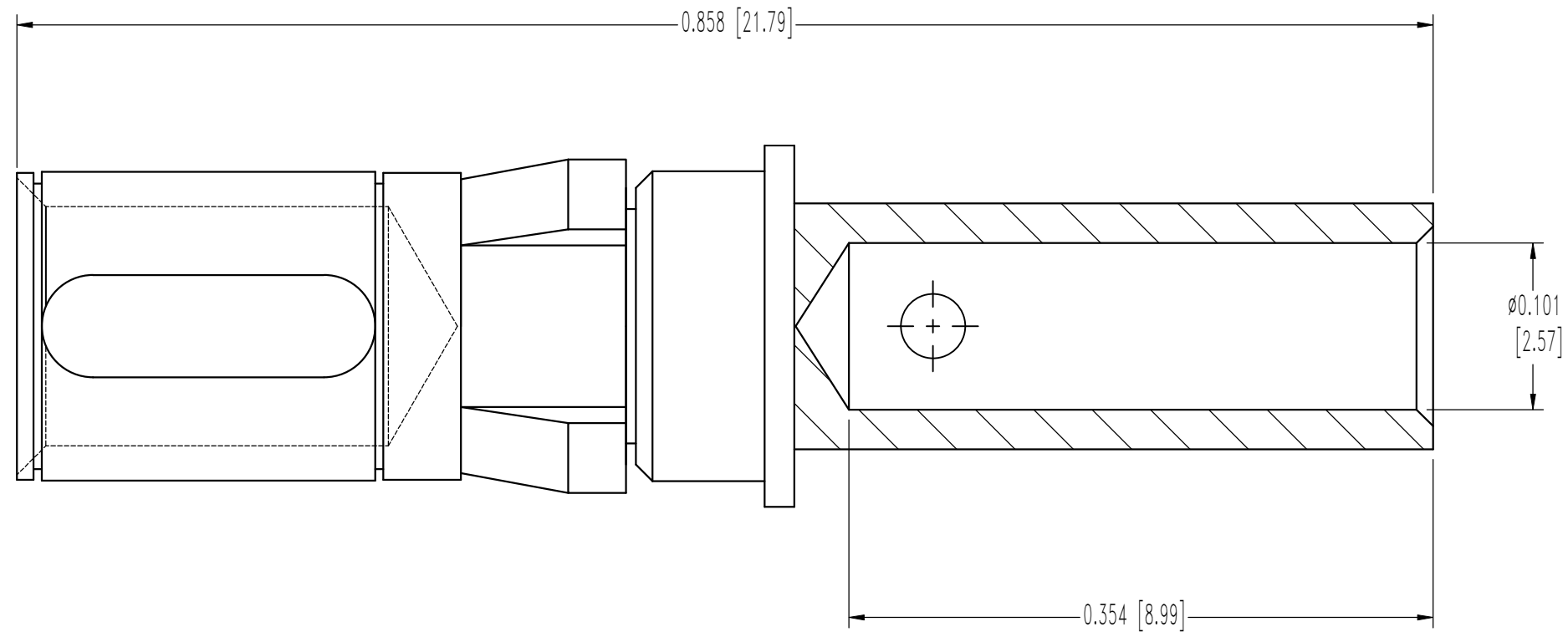


SK17829

THIS DRAWING CONTAINS INFORMATION PROPRIETARY TO POSITRONIC AND ITS SUBSIDIARIES. POSITRONIC BELIEVES THE DATA ON THIS DRAWING TO BE RELIABLE. SINCE THE TECHNICAL INFORMATION IS GIVEN FREE OF CHARGE, THE USER EMPLOYS SUCH INFORMATION AT HIS OWN DISCRETION AND RISK. POSITRONIC ASSUMES NO RESPONSIBILITY FOR RESULTS OBTAINED OR DAMAGES INCURRED FROM USE OF SUCH INFORMATION IN WHOLE OR IN PART.

DATE	REV	REVISION RECORD	APP	DR	CK
8-20 15	NC	ECO 47872	COLE	KV	CV
9-13 16	A	ECO 52574	COLE	CM	COLE



NOTES:

- MATERIAL & FINISHES:  
CONTACT: PRECISION MACHINED COPPER ALLOY, 0.000030 INCH [0.76μ] GOLD OVER NICKEL FINISH.  
RETENTION RING: POLYETHERIMIDE, COLOR BLACK.
- DETAILED PRODUCT, ELECTRICAL, AND MECHANICAL INFORMATION IS AVAILABLE IN THE LATEST STANDARD DENSITY COMBO-D PRODUCT PUBLICATION AT CONNECTPOSITRONIC.COM.
- CONTACTS ARE COMPLIANT PER CURRENT ROHS DIRECTIVE.
- DIMENSIONS ARE IN INCHES [MILLIMETERS].

	<b>POSITRONIC INDUSTRIES INC.</b> www.connectpositronic.com		FSCM 28198
	DECIMAL TOL. ± 0.015 [0.38]	TITLE CBD SERIES	SCALE N.T.S.
ANGULAR TOL. ± 5°	DATE 8-20-15	DRAWING NUMBER SK17829	REV. A