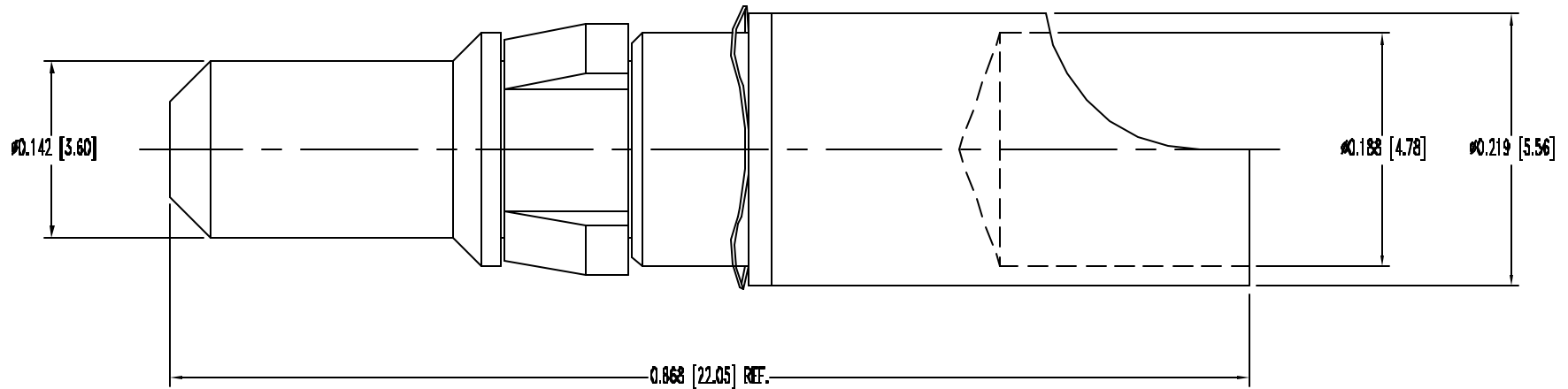


POSITRONIC INDUSTRIES BELIEVES THE DATA ON THIS DRAWING TO BE RELIABLE, SINCE THE TECHNICAL INFORMATION IS GIVEN FREE OF CHARGE, THE USER EMPLOYEES SUCH INFORMATION AT HIS OWN DISCRETION AND RISK. POSITRONIC INDUSTRIES ASSUMES NO RESPONSIBILITY FOR RESULTS OBTAINED OR DAMAGES INCURRED FROM USE OF SUCH INFORMATION IN WHOLE OR IN PART.

SK4155

DATE	REV	REVISION RECORDED	APP	DR	CK
1-30-02	NC	ECO 18904		JLG	



NOTES:

- MATERIAL AND FINISH: HIGH CONDUCTIVITY COPPER ALLOY, 0.000030 [0.75 $\mu$ ] GOLD OVER NICKEL OVER COPPER.
- ELECTRICAL CHARACTERISTICS:  
 CONTACT CURRENT RATING: 40 AMPERES NOMINAL.  
 INITIAL CONTACT RESISTANCE: 0.005 OHMS MAXIMUM.  
 PROOF VOLTAGE: 1,000 V r.m.s.
- DIMENSIONS ARE IN INCHES [MILLIMETERS].



**POSITRONIC INDUSTRIES INC.**  
 www.connectpositronic.com



DECIMAL TOL.  
 $\pm 0.015$  [0.38]

VF # 430B

ANGULAR TOL.  
 $\pm 5^\circ$

CBD SERIES

TITLE

MS4008D-14

DATE

1-30-02

DRAWING NUMBER

SK4155

SCALE  
 N.T.S.

DRAWN BY J. GREEN

APPROVED BY

REV.

NC