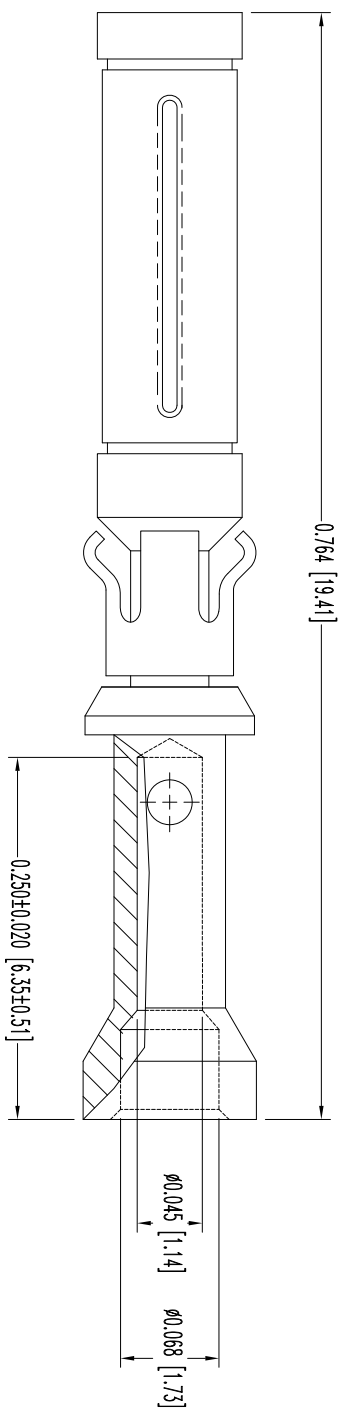


THIS DRAWING CONTAINS INFORMATION PROPRIETARY TO POSITRONIC AND ITS SUBSIDIARIES. POSITRONIC BELIEVES THE DATA ON THIS DRAWING TO BE RELIABLE, SINCE THE USER EMPLOYS SUCH INFORMATION IN HIS OWN DESIGN AND RISK. POSITRONIC ASSUMES NO RESPONSIBILITY FOR RESULTS OBTAINED OR DAMAGES INCURRED FROM USE OF SUCH INFORMATION IN WHOLE OR IN PART.



DATE	REV	REVISION/RECORD	APP	DR	CK
5-15-09	NC	ECO 31071	RCW	BS	RCW
11-18	A	ECO 34679	COLF	BS	COLF
12-11	B	ECO 37986	COLF	BE	COLF

SK10774

		POSITRONIC INDUSTRIES INC. www.connectpositronic.com		FSCM 28198	
		DECIMAL TOL. ± 0.015 [0.38]	SCALE N.T.S.	DRAWN BY B SHELLBOY	APPROVED BY R WILLIAMS
ANGULAR TOL. $\pm 5^\circ$	TITLE CMCT SERIES FC120N2/AA-14	REV. B			

NOTES:
 1. MATERIALS AND FINISHES:
 CONTACT: PRECISION MACHINED COPPER ALLOY, 0.000030 [0.76µ] GOLD OVER NICKEL PLATE.
 SPRING CLIP AND RETAINER: BERYLLIUM COPPER, GOLD FLASH OVER NICKEL PLATE.
 2. DETAILED PRODUCT, MECHANICAL, AND ELECTRICAL INFORMATION IS AVAILABLE IN THE LATEST STANDARD DENSITY RECTANGULAR PRODUCT PUBLICATION.
 VISIT CONNECTPOSITRONIC.COM/PRODUCTS/53/STANDARDENSITYRECTANGULAR OR CONNECTPOSITRONIC.COM.
 3. CONTACTS ARE COMPLAINT TO THE CURRENT ROHS DIRECTIVE.
 4. DIMENSIONS ARE IN INCHES [MILLIMETERS].