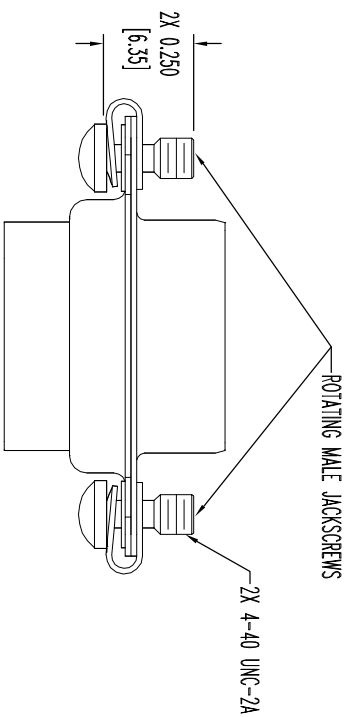
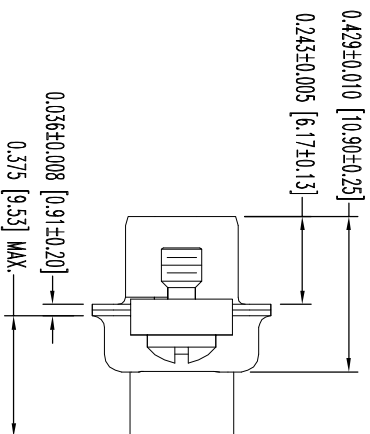
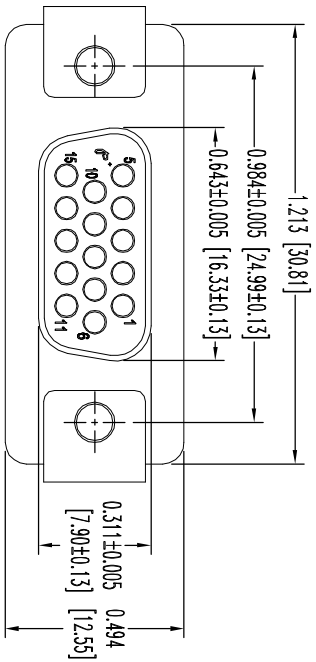


THIS DRAWING CONTAINS INFORMATION PROPRIETARY TO POSTRONIC IND. INC. ANY REPRODUCTION OR UNAUTHORIZED USE OF THIS DRAWING IS EXPRESSLY PROHIBITED, EXCEPT AS POSTRONIC IND. INC. MAY OTHERWISE AGREE IN WRITING.



NOTES:

1. MATERIALS AND FINISHES:

INSULATOR: GLASS FILLED POLYESTER PER ASTM-D5927, UL 94V-0, COLOR: BLUE.
SHELLS: STEEL, ZINC PLATE WITH CHROMATE SEAL.

U-CLIPS: SPRING STEEL, ZINC PLATE WITH CHROMATE SEAL.
CAPTIVE SCREWS: STEEL, ZINC PLATE WITH CHROMATE SEAL.

2. DETAILED PRODUCT, MECHANICAL, AND ELECTRICAL INFORMATION IS AVAILABLE IN THE LATEST HIGH DENSITY D-SUB PRODUCT PUBLICATION AT CONNECTPOSTRONIC.COM.

3. CONNECTORS ARE COMPLIANT TO THE CURRENT ROHS DIRECTIVE.

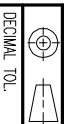
4. DIMENSIONS ARE IN INCHES [MILLIMETERS].

DATE	REV	REVISION RECORD	APP	DR	CK
12-11	15	NC	ECO	49052	COLE AP CV

SK18307



POSTRONIC INDUSTRIES INC.
SPRINGFIELD, MISSOURI 65801



DECIMAL TOL. ± 0.015 [0.38]

ANGULAR TOL. ± 5°

DATE	DRAWING NUMBER	REV.
12-11-15	SK18307	NC
TITLE	DD15S000E20/AA	
DD SERIES	N.T.S.	AP
SCALE	APPROVED BY	COLE
DD SERIES		