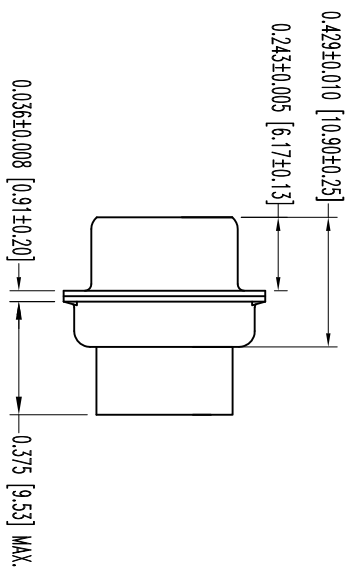
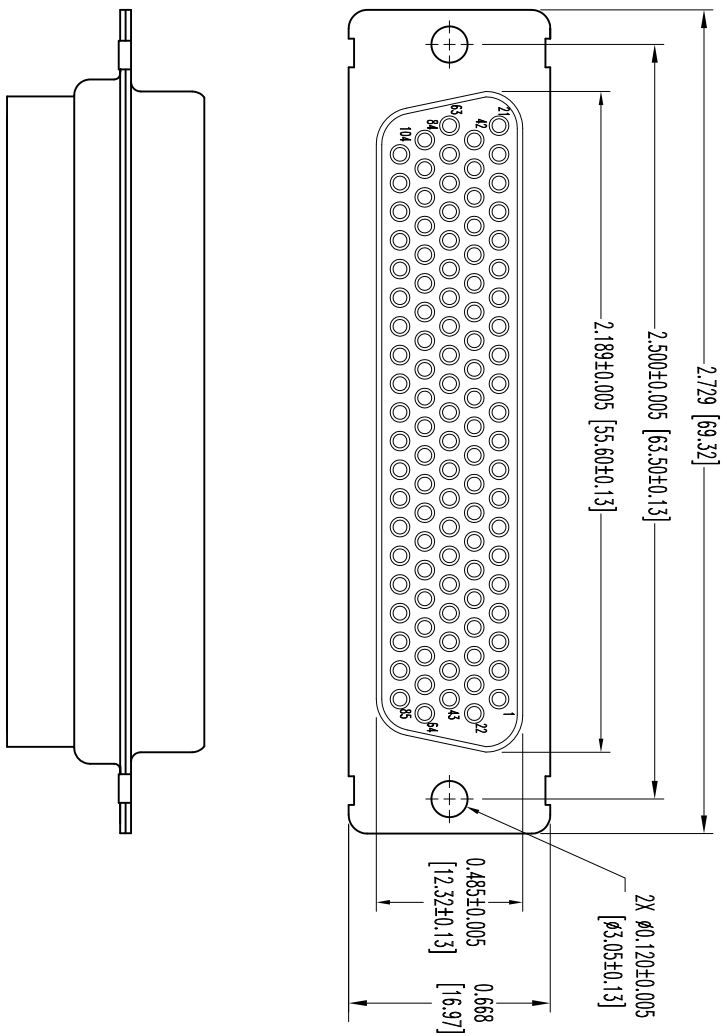


THIS DRAWING CONTAINS INFORMATION PROPRIETARY TO POSITRONIC INDUSTRIES INC. THE DATA ON THIS DRAWING TO BE RELIABLE SINCE THE USER EMPLOYS SUCH INFORMATION AT HIS OWN DISCRETION RESULTS OBTAINED OR DAMAGES INCURRED FROM USE OF SUCH INFORMATION IN WHOLE OR IN PART.



NOTES:

1. MATERIALS AND FINISHES:
INSULATOR: GLASS FILLED POLYESTER PER ASTM D5927, UL 94V-0, BLUE COLOR.
SHELS: STEEL, ZINC PLATE WITH CHROMATE SEAL.
2. DETAILED PRODUCT, ELECTRICAL, AND MECHANICAL INFORMATION IS AVAILABLE IN THE LATEST HIGH DENSITY D-SUBMINIATURE PRODUCT PUBLICATION.
VISIT CONNECTPOSITRONIC.COM/PRODUCTS/59/HIGHDENSITY-D-SUBMINIATURE
OR CONNECTPOSITRONIC.COM.
3. DIMENSIONS ARE IN INCHES [MILLIMETERS].

DATE	REV	REVISION RECORD	APP	DR	CK
8-30	NC	ECO 34422	COLB	ME	COLB

SK12596



POSITRONIC INDUSTRIES INC.
www.connectpositronic.com

DECIMAL TOL.	± 0.015 [0.38]	SCALE	N.T.S.	DRAWN BY	ME
ANGULAR TOL.	± 5°	TITLE	DD SERIES	APPROVED BY	COLB

DATE	8-30-11	DRAWING NUMBER	SK12596	REV.	NC
FSC# 28198		DD104S00000			