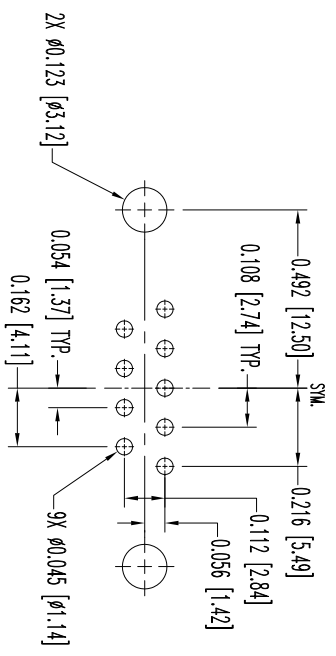
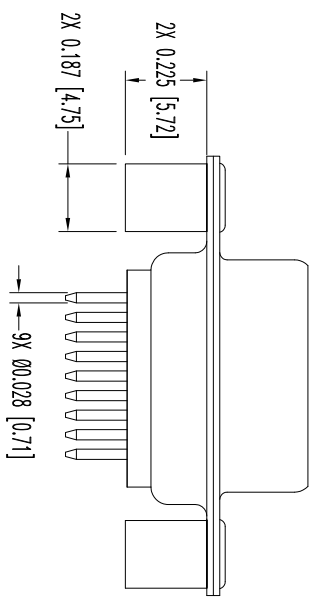
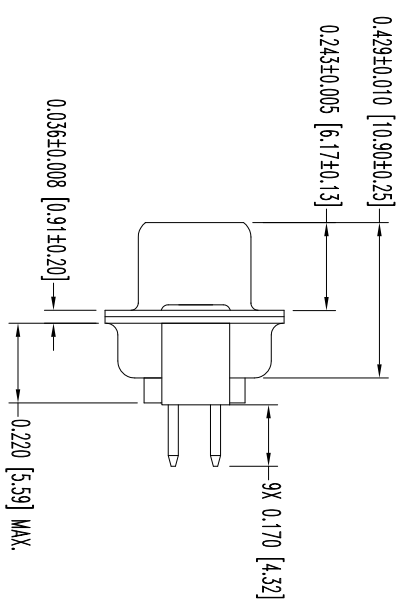
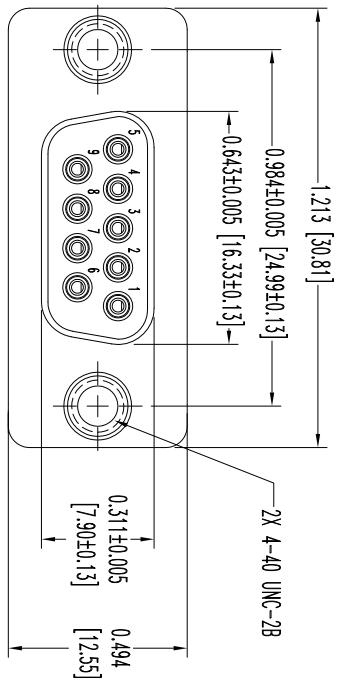


THIS DRAWING CONTAINS INFORMATION PROPRIETARY TO POSITRONIC INDUSTRIES INC. THE DATA ON THIS DRAWING TO BE RELEASED SINCE THE USER EMPLOYERS SUCH INFORMATION AT HIS OWN DISCRETION. POSITRONIC INDUSTRIES INC. ASSUMES NO LIABILITY FOR RESULTS OBTAINED OR DAMAGES INCURRED FROM USE OF SUCH INFORMATION IN WHOLE OR IN PART.

SK10624

DATE	REV	REVISION RECORD	APP	DR	CK
4-28-09	NC	ECO 31002	RCW	BS	TK
11-9-10	A	ECO 33213	COLB	BE	COLB



CONTACT HOLE PATTERN

NOTES:

1. MATERIALS AND FINISHES:  
 INSULATOR: GLASS FILLED DAP PER ASTM-D-5948 TYPE SDG-F, UL 94V-0, GREEN COLOR.  
 CONTACTS: PRECISION MACHINED COPPER ALLOY, GOLD FLASH OVER NICKEL FINISH.  
 SHELLS: STEEL, ZINC PLATE WITH CHROMATE SEAL.  
 SWAGE SPACERS: STEEL, ZINC PLATE WITH CHROMATE SEAL.
2. DETAILED PRODUCT, ELECTRICAL, AND MECHANICAL INFORMATION IS AVAILABLE IN THE LATEST STANDARD DENSITY D-SUB PRODUCT PUBLICATION. VISIT [CONNECTPOSITRONIC.COM/PRODUCTS/45/STANDARDENSITYD-SUBMINIATURE](http://CONNECTPOSITRONIC.COM/PRODUCTS/45/STANDARDENSITYD-SUBMINIATURE) OR [CONNECTPOSITRONIC.COM](http://CONNECTPOSITRONIC.COM).
3. DIMENSIONS ARE IN INCHES [MILLIMETERS].



**POSITRONIC INDUSTRIES INC.**  
[www.connectpositronic.com](http://www.connectpositronic.com)

FSCM 28198

DECIMAL TOL. ± 0.015 [0.38]	ANGULAR TOL. ± 5°	DATE 4-28-09	DRAWING NUMBER SK10624	REV. A
		TITLE <b>HDC9SS3S000</b>		
HDC SERIES		SCALE <b>N.T.S.</b>		
DRAWN BY <b>B SHELLBUDY</b>		APPROVED BY <b>R WILLIAMS</b>		