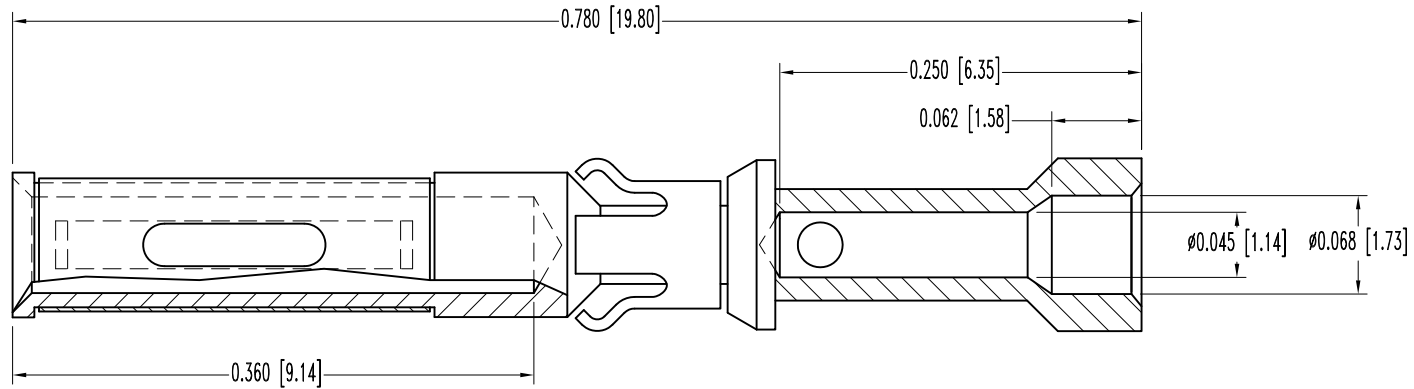


SK7110

THIS DRAWING CONTAINS INFORMATION PROPRIETARY TO POSITRONIC AND ITS SUBSIDIARIES. POSITRONIC BELIEVES THE DATA ON THIS DRAWING TO BE RELIABLE. SINCE THE TECHNICAL INFORMATION IS GIVEN FREE OF CHARGE, THE USER EMPLOYS SUCH INFORMATION AT HIS OWN DISCRETION AND RISK. POSITRONIC ASSUMES NO RESPONSIBILITY FOR RESULTS OBTAINED OR DAMAGES INCURRED FROM USE OF SUCH INFORMATION IN WHOLE OR IN PART.

DATE	REV	REVISION RECORD	APP	DR	CK
3-2-06	NC	ECO 25582	TK	ME	TK
11-02-11	A	ECO 34622	COLE	BS	COLE



NOTES:

- MATERIALS AND FINISHES:
CONTACTS: PRECISION MACHINED COPPER ALLOY, GOLD FLASH OVER NICKEL PLATE.
SPRING CLIP: BERYLLIUM COPPER, GOLD FLASH OVER NICKEL PLATE.
- DETAILED PRODUCT, MECHANICAL, AND ELECTRICAL INFORMATION IS AVAILABLE IN THE LATEST STANDARD DENSITY RECTANGULAR PRODUCT PUBLICATION. VISIT CONNECTPOSITRONIC.COM/PRODUCTS/53/STANDARD DENSITY RECTANGULAR OR CONNECTPOSITRONIC.COM.
- MOS CALLS FOR CONTACTS TO HAVE AN OVERALL LENGTH OF 0.780 [19.81] AND A MATING DIAMETER DEPTH OF 0.360 [9.14].
- CONTACTS ARE ROHS COMPLIANT PER ROHS DIRECTIVE 2002/95/EC OF 27 JAN 2003.
- DIMENSIONS ARE IN INCHES [MILLIMETERS].

	POSITRONIC INDUSTRIES INC. www.connectpositronic.com		FSCM 28198
		GMCT SERIES	SCALE N.T.S.
DECIMAL TOL. ± 0.015(0.38)	APPROVED BY T. KEPLEY		
FC120N2/AA-1565.0			
ANGULAR TOL. ± 2°	DATE 3-2-06	DRAWING NUMBER SK7110	REV. A