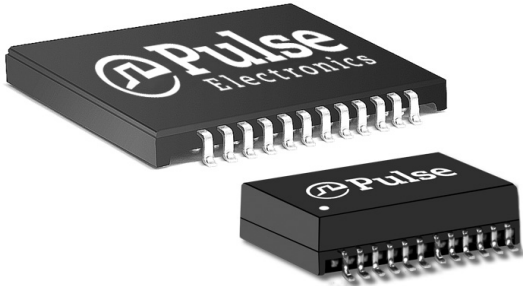


# 1000Base-T Low Profile Magnetics Module

Designed to Support 1:1 Turns Ratios Receivers



- RoHS-6 peak reflow temperature rating 245°C
- Low profile package for mobile computer applications
- Compliant with IEEE 802.3ab standard

## Electrical Specifications @ 25°C - Operating Temperature 0°C to 70°C

Part Number <sup>1</sup>	Insertion Loss (dB MAX)	Return Loss (dB MIN @ 100Ω)		Differential to Common Mode Rejection (dB MIN)	Crosstalk (dB MIN)	Hipot (Vrms MIN)
	1-100 MHz	1-40 MHz	40-100 MHz	30-100 MHz	30-100 MHz	
H5019NL <sup>4</sup>	-1.0	-18	-12 + 20*LOG10 (f/80)	-43 + 22*LOG10 (f/30)	-55 + 24*LOG10 (f/10)	1500
H5019BNL <sup>4</sup>	-1.0	-18	-12 + 20*LOG10 (f/80)	-43 + 22*LOG10 (f/30)	-55 + 24*LOG10 (f/10)	1500
HX5019BNL <sup>3,4</sup>	-1.0	-18	-12 + 20*LOG10 (f/80)	-43 + 22*LOG10 (f/30)	-55 + 24*LOG10 (f/10)	1500
HX5180NL <sup>3</sup>	-1.0	-18	-12 + 20*LOG10 (f/80)	-43 + 22*LOG10 (f/30)	-55 + 24*LOG10 (f/10)	1500

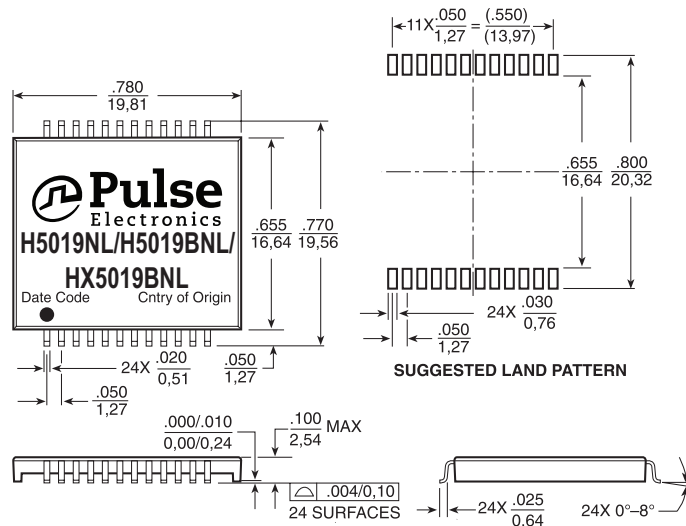
### Notes:

- For Tape & Reel packaging, add a "T" suffix at the end of the part number, e.g. H5019NLT.
- MSL: Moisture Sensitivity Level = 1
- Extended Temperature: -40°C to +85°C
- Not for sale in U.S.

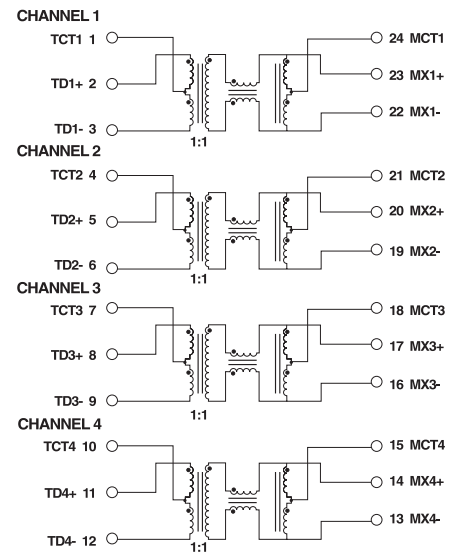
## Mechanicals

## Schematic

### H5019NL/H5019BNL/HX5019BNL



### H5019NL



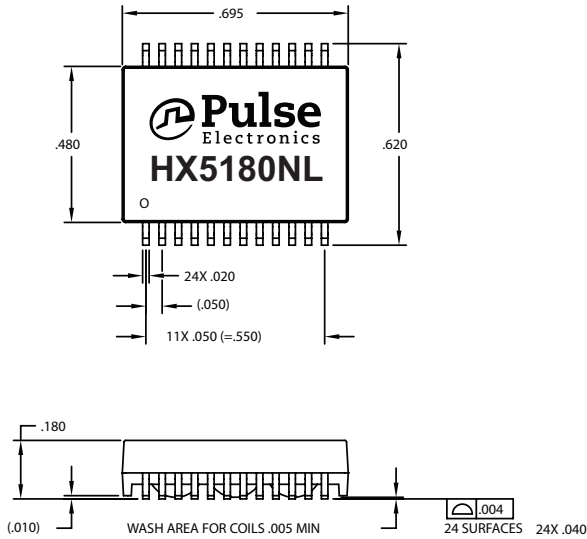
# 1000Base-T Low Profile Magnetics Module

Designed to Support 1:1 Turns Ratios Receivers

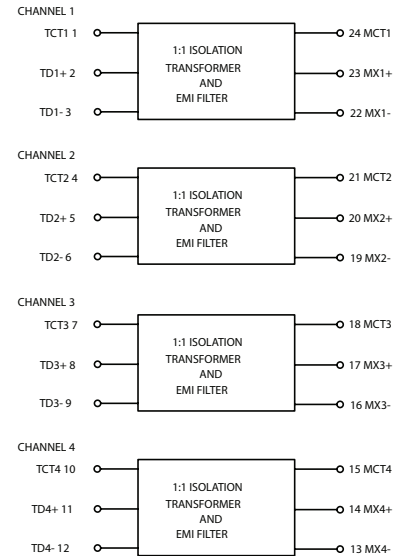
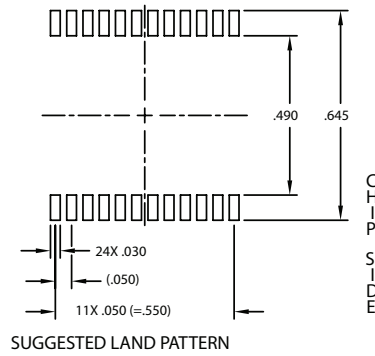
## Mechanicals

## Schematic

### HX5180NL



### H501BNL/HX5019BNL/HX5180NL



M E D I A S I D E

UNLESS OTHERWISE SPECIFIED, ALL DIMENSIONS ARE IN INCHES  
TOLERANCES ARE:

DECIMALS	ANGLES
.XX ±.01	± 1°
.XXX ±.005	

## For More Information

**Pulse Worldwide Headquarters**  
12220 World Trade Drive  
San Diego, CA  
92128  
U.S.A.

Tel: 858 674 8100

**Pulse Europe**  
Einsteinstrasse 1  
D-71083 Herrenberg  
Germany

Tel: 49 7032 7806

**Pulse China Headquarters**  
B402, Shenzhen Academy of  
Aerospace Technology Bldg.  
10th Kejian Road  
High-Tech Zone  
Nanshan District  
Shenzhen, PR China  
518057

**Pulse North China**  
Room 2704/2705  
Super Ocean Finance  
Ctr.  
2067 Yan An Road  
West  
Shanghai 200336  
China

**Pulse South Asia**  
135 Joo Seng Road  
#03-02  
PM Industrial Bldg.  
Singapore 368363

Tel: 65 6287 8998  
Fax: 65 6287 8998

**Pulse North Asia**  
3F, No. 198  
Zhongyuan Road  
Zhongli City  
Taoyuan County 320  
Taiwan R. O. C.  
Tel: 886 3 4356768  
Fax: 886 3 4356823  
(Pulse)

Performance warranty of products offered on this data sheet is limited to the parameters specified. Data is subject to change without notice. Other brand and product names mentioned herein may be trademarks or registered trademarks of their respective owners. © Copyright, 2013. Pulse Electronics, Inc. All rights reserved.