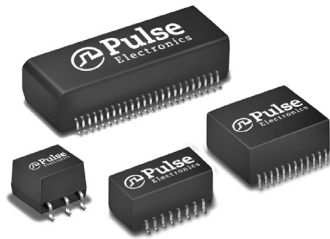


Power OVER Ethernet (PoE) Magnetics and (PoE+) Magnetics

100Base-TX VoIP Magnetics Modules



- RoHS peak reflow temperature rating 245C
- IEEE 802.3af/ANSI X3.263 compliant performance
- Designed for IP phone or switch applications

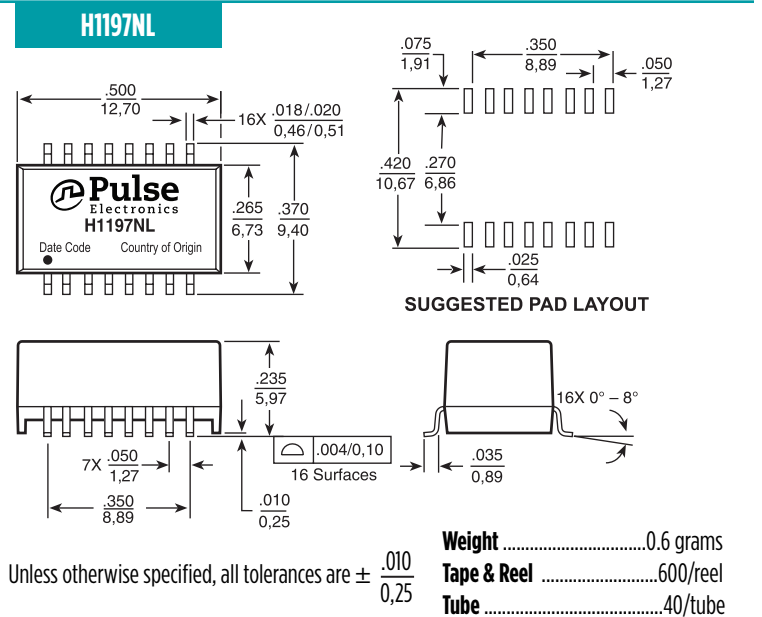
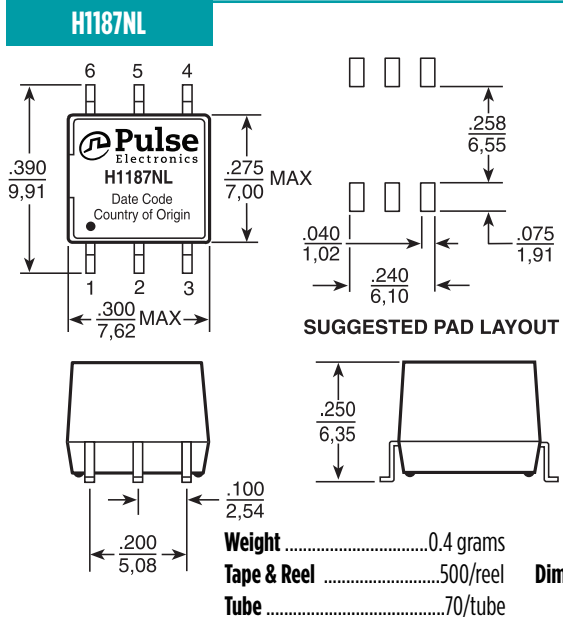
Electrical Specifications @ 25°C - Operating Temperature 0°C to 70°C

Part Number	No. of Ports	Insertion Loss (dB MAX)	Return Loss (dB MIN @ 100 Ω)				Differential to Common Mode Rejection (dB MIN @ 100 Ω)			CrossTalk (dB TYP)			Hipot (Vrms MIN)	DC Resistance Balance ≤ (%)
			1-100 MHz	1-30 MHz	40 MHz	50 MHz	60-80 MHz	30 MHz	60 MHz	100 MHz	30 MHz	60 MHz		
H1187NL ^{2a}	1	-1.2	-16	-14	-13	-12	-43	-37	-33	-45	-40	-35	1500	—
H1197NL ^{2a,4}	1	-1.2	-16	-14	-13	-12	-43	-37	-33	-45	-40	-35	1500	—
H2019NL ^{2a,4}	1	-1.2	-16	-14	-13	-12	-43	-37	-33	-45	-40	-35	1500	3.5
H2005ANL ^{2c}	2	-1.2	-16	-14	-13	-12	-50	-43	-35	-43	-37	-33	1500	3.5
H2006ANL ^{2c}	2	-1.2	-16	-14	-13	-12	-43	-37	-33	-43	-37	-31	1500	3.5
H2008NL ^{2c}	2	-1.2	-16	-14	-13	-12	-40	-35	-30	-43	-37	-33	1500	3.5
H2009NL ^{2a,4}	2	-1.1	-16	-14	-13	-12	-43	-37	-33	-43	-37	-33	1500	3.5
H2017NL ^{2c}	4	-1.2	-16	-14	-13	-12	-43	-37	-33	-45	-40	-35	1800	3.5
HX2019NL ^{1,2a,4}	1	-1.4	-16	-14	-13	-12	-43	-37	-33	-45	-40	-35	1500	3.5
HX2326NL ^{1,2a,3}	1	-1.0	-16	-14.4	-13	-12	-43	-37	-33	-45	-40	-35	1500	3.5

- Extended operating temperature (-40°C to +85°C)
- MSL (Moisture Sensitivity Level): a = 1, b = 2, c = 3, d = 4, e = 5
- PoE+ (IEEE 802.3at compliant)
- Not for sale in U.S.

Notes: When ordering Tape & Reel packaging, add the suffix "T" to the end of the part number. For example: H2008NLT.

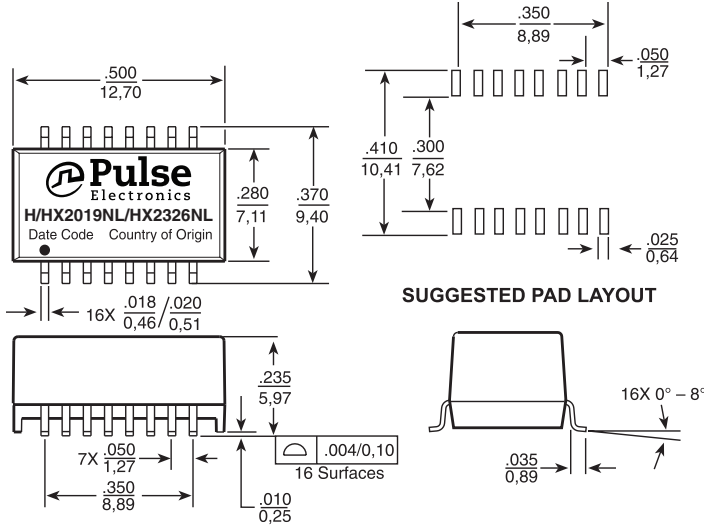
Mechanicals



USA 858 674 8100 Germany 49 7032 7806 0 Singapore 65 6287 8998 Shanghai 86 21 62787060 China 86 755 33966678 Taiwan 886 3 4356768

Mechanicals (continued)

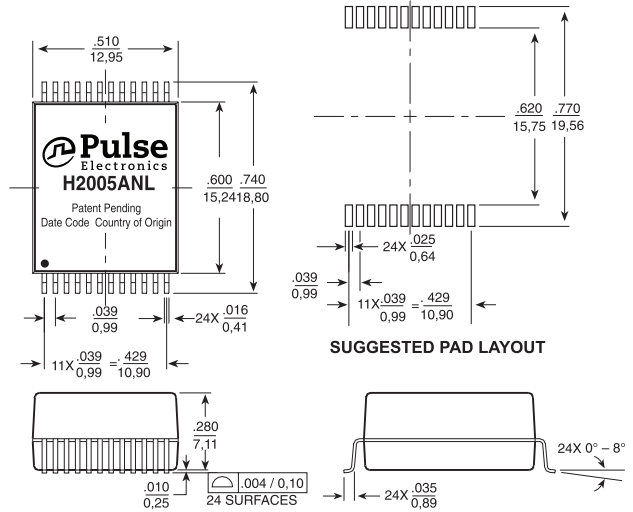
H2019NL, HX2019NL, HX2326NL



Weight1.0 grams
Tape & Reel600/reel
Tube40/tube

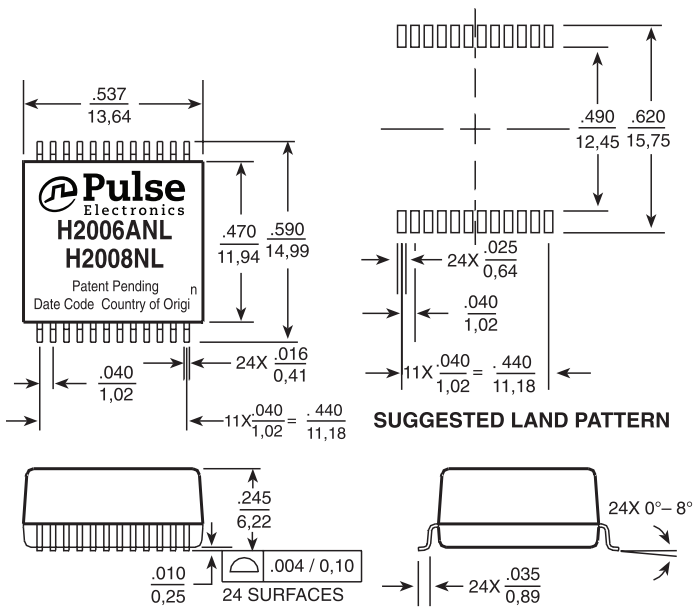
Dimensions: $\frac{\text{Inches}}{\text{mm}}$ Unless otherwise specified, all tolerances are $\pm \frac{.010}{0,25}$

H2005ANL



Weight2.7 grams
Tape & Reel250/reel
Tube25/tube

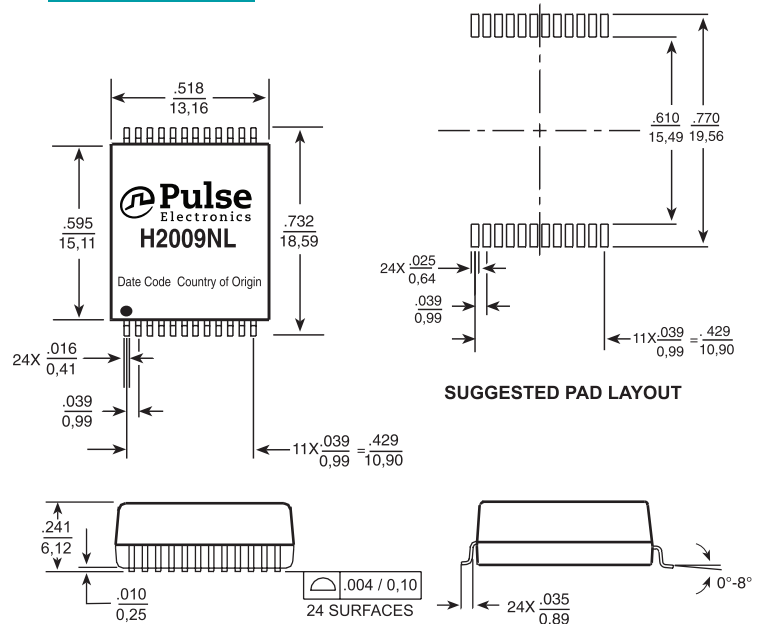
H2006ANL, H2008NL



Weight2.4 grams
Tape & Reel350/reel
Tube35/tube

Dimensions: $\frac{\text{Inches}}{\text{mm}}$ Unless otherwise specified, all tolerances are $\pm \frac{.010}{0,25}$

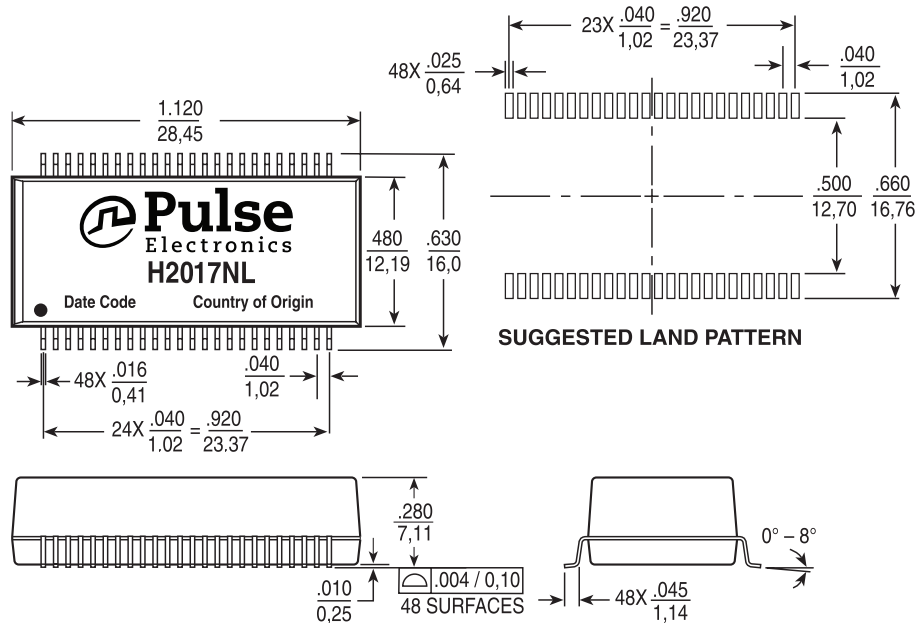
H2009NL



Weight1.6 grams
Tape & Reel300/reel
Tube35/tube

Mechanicals (continued)

H2017NL

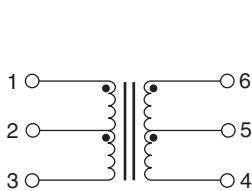


Weight5.0 grams
Tape & Reel250/reel
Tube15/tube

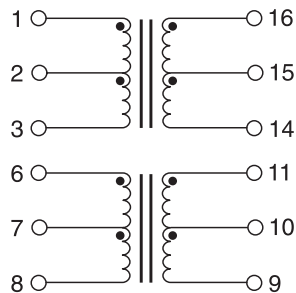
Dimensions: $\frac{\text{Inches}}{\text{mm}}$ Unless otherwise specified, all tolerances are $\pm \frac{.010}{0,25}$

Schematics

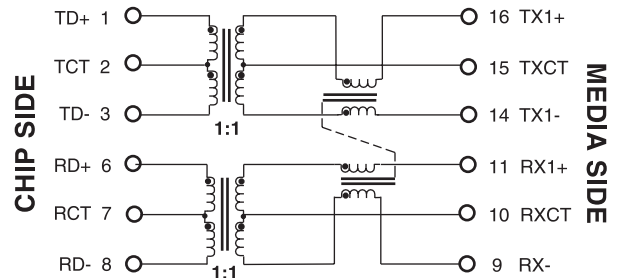
H1187NL



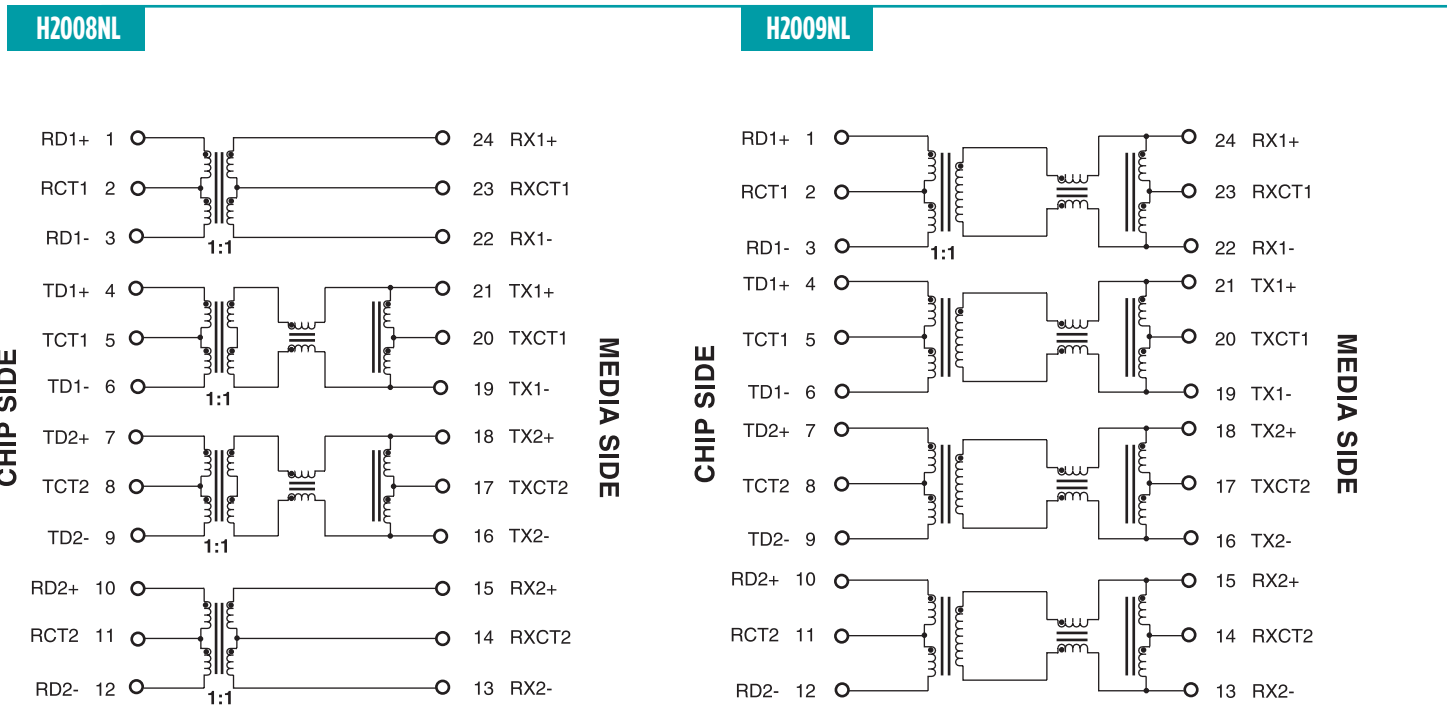
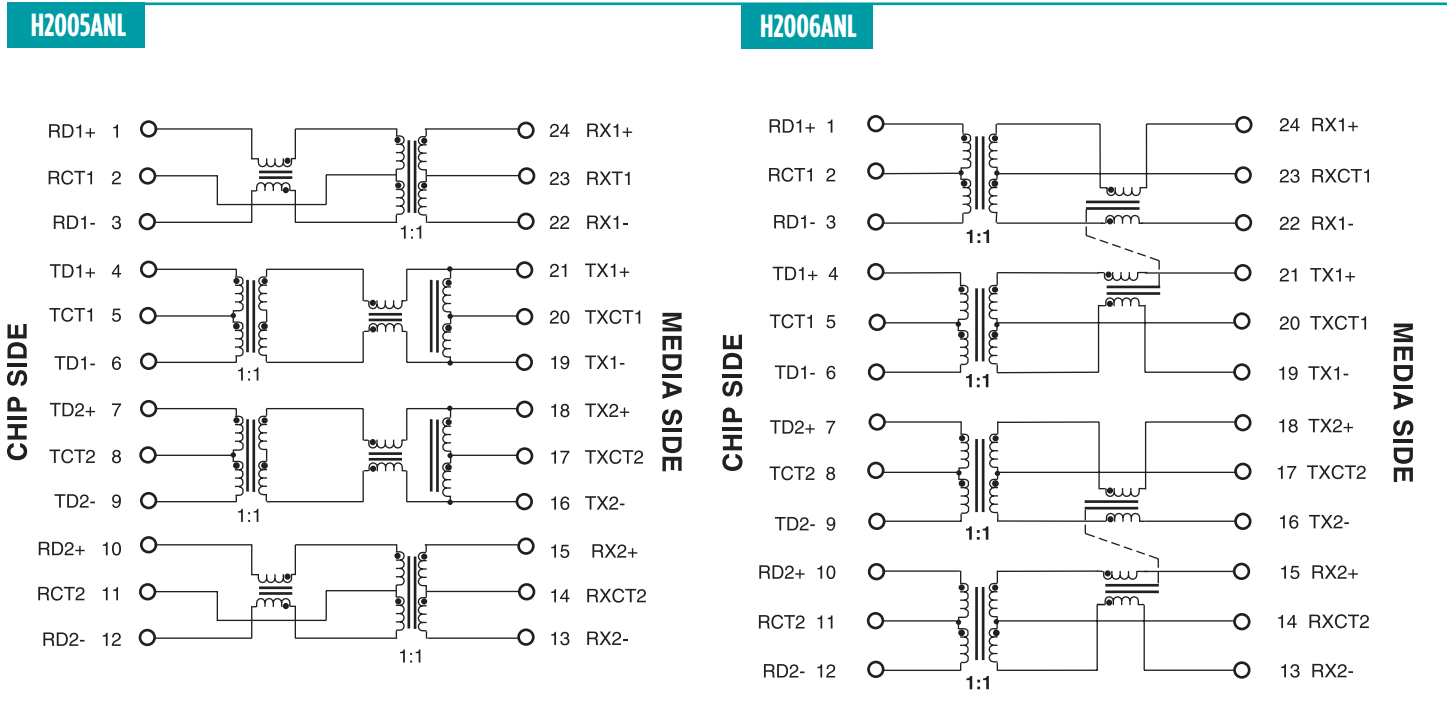
H1197NL



H2019NL, HX2019NL



Schematics (continued)

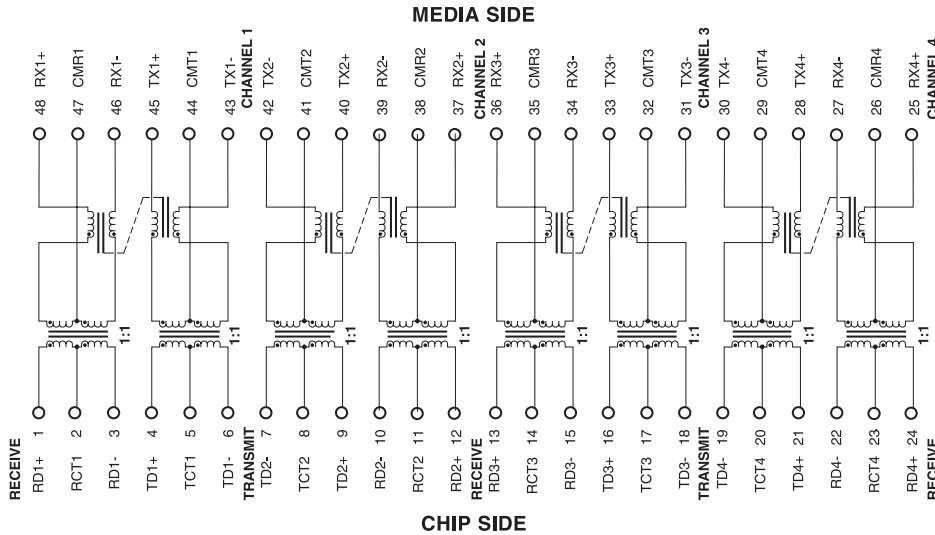


Power OVER Ethernet (PoE) Magnetics and (PoE+) Magnetics

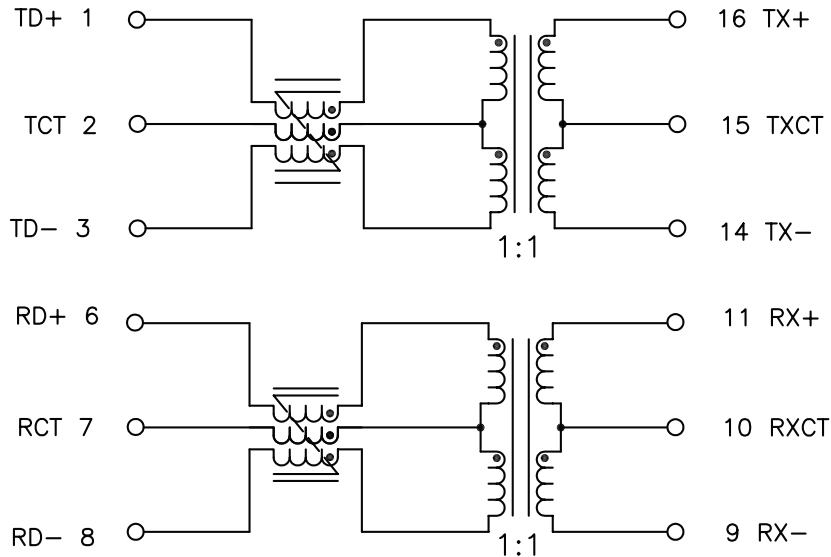
100Base-TX VoIP Magnetics Modules

Schematics (continued)

H2017NL



HX2326NL



For More Information

Pulse Worldwide Headquarters
12220 World Trade Drive
San Diego, CA
92128
U.S.A.

Tel: 858 674 8100

Pulse Europe
Einsteinstrasse 1
D-71083 Herrenberg
Germany

Tel: 49 7032 7806

Pulse China Headquarters
B402, Shenzhen Academy of
Aerospace Technol-
ogy Bldg.
10th Kejian Road
High-Tech Zone
Nanshan District
Shenzhen, PR China
518057

Pulse North China
Room 2704/2705
Super Ocean Finance
Ctr.
2067 Yan An Road
West
Shanghai 200336
China

Pulse South Asia
135 Joo Seng Road
#03-02
PM Industrial Bldg.
Singapore 368363

Tel: 65 6287 8998
Fax: 65 6287 8998

Pulse North Asia
3F, No. 198
Zhongyuan Road
Zhongli City
Taoyuan County 320
Taiwan R. O. C.
Tel: 886 3 4356768
Fax: 886 3 4356823
(Pulse)

Performance warranty of products offered on this data sheet is limited to the parameters specified. Data is subject to change without notice. Other brand and product names mentioned herein may be trademarks or registered trademarks of their respective owners. © Copyright, 2013. Pulse Electronics, Inc. All rights reserved.