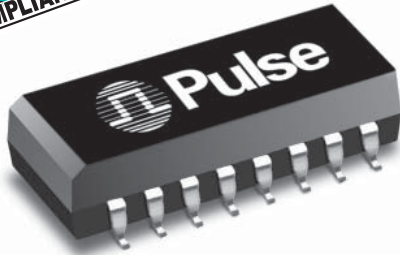






# EXTENDED TEMPERATURE SURFACE MOUNT 10BASE-T INTERFACE MODULE



www.pulseeng.com

## Fully Integrated for Adapter, Hub and Motherboard Applications



-  Peak solder temperature rating per Table 5-2 in IPC/JEDEC J-STD-020
-  Extended temperature operates -40°C to +85°C
-  Meets IEEE 802.3 specification
-  EX2001 part is designed for AMD extended temperature transceiver

### Electrical Specifications @ 25°C — Operating Temperature -40°C to +85°C

Part Number	Insertion Loss	Attenuation (Transmit-dB MIN)			Return Loss 5-10MHz (dBMIN)		Crosstalk (dBMIN)	Common Mode Rejection (Transmit-dB MIN)					Hipot (Vrms MIN)
		1-10MHz	30MHz	50MHz	100MHz	100Ω		98Ω ±13	5-10 MHz	5MHz	10MHz	50MHz	
EX2001QNL 1C	-1.0	-30	-35	-35	-18	-15	-35	-60	-60	-55	-50	-45	1800

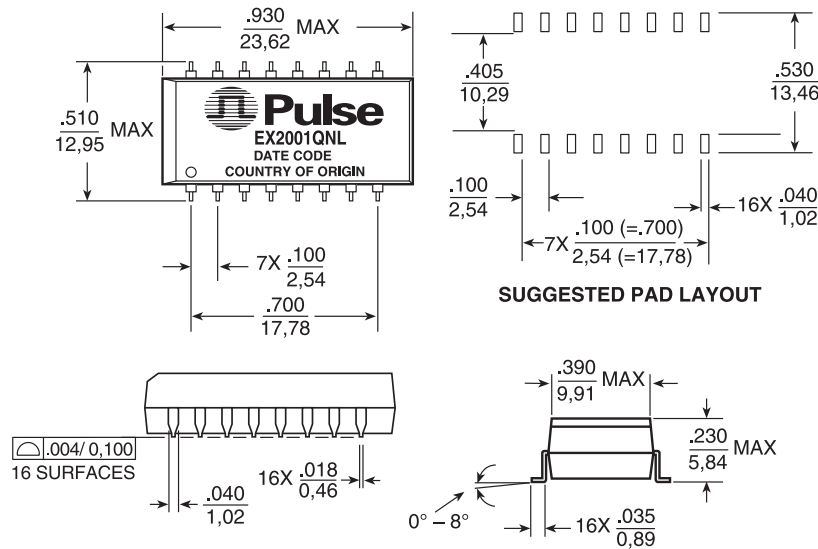
1. MSL = Moisture Sensitivity Level a=1 b=2 c=3 d=4

2. NL = RoHS compliant parts, e.g. EX2001QNL and then changes to EX2001QNLT (when ordering Tape & Reel packaging).

**NOTE:** Turns ratios are 1:1 for the EX2001QNL. The receive and transmit sides meet IEEE 802.3i specifications. Specifications reflect filter sections.

## Mechanical

### EX2001QNL



Weight . . . . . 2.5 grams  
 Tape & Reel . . . . . 250/reel  
 Tube . . . . . 20/tube

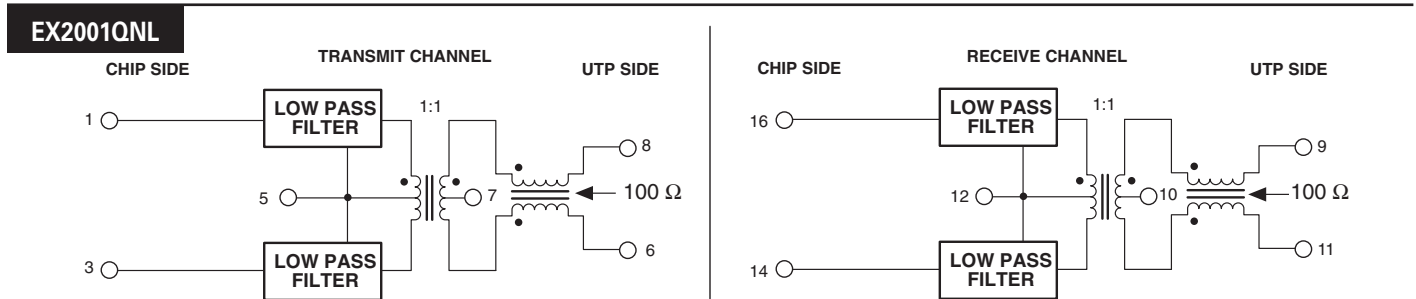
Dimensions:  $\frac{\text{Inches}}{\text{mm}}$

Unless otherwise specified, all tolerances are  $\pm \frac{.010}{0,25}$

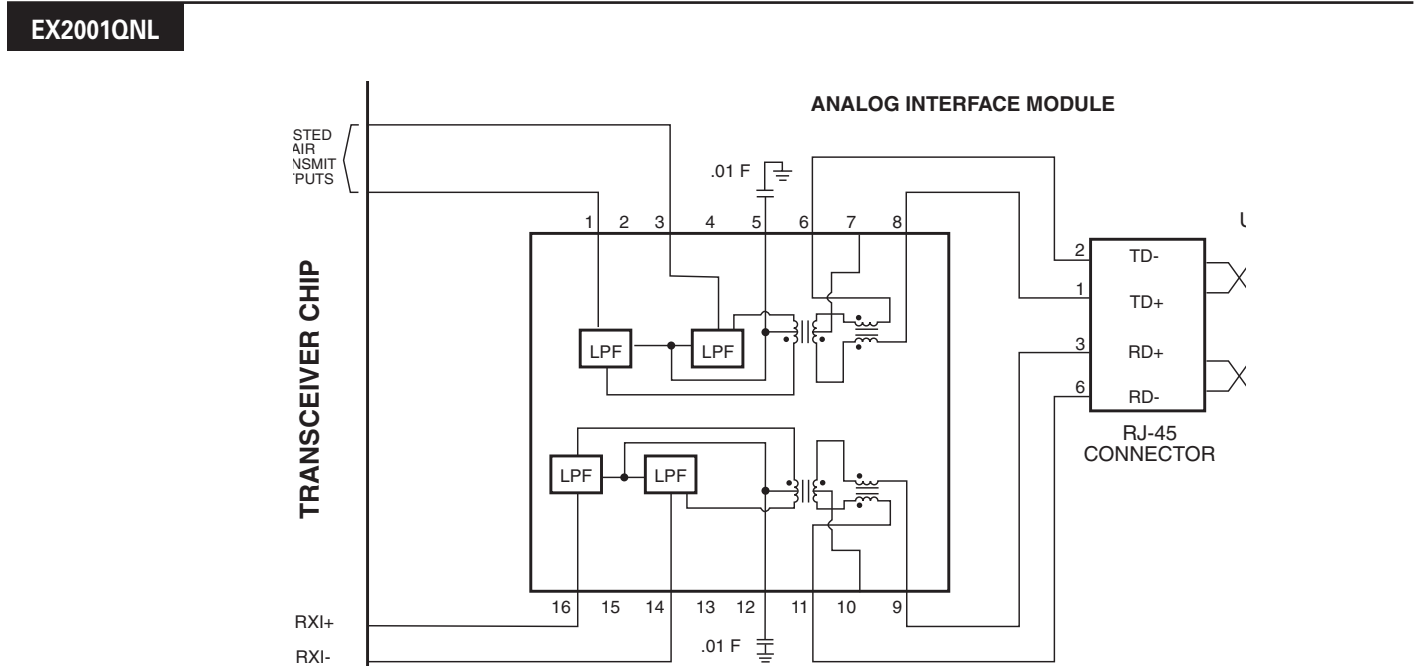
# EXTENDED TEMPERATURE SURFACE MOUNT 10BASE-T INTERFACE MODULE

Fully Integrated for Adapter, Hub and  
Motherboard Applications

## Schematic



## Typical Application Circuit



## For More Information:

### Pulse Worldwide Headquarters

12220 World Trade Dr.  
San Diego, CA 92128  
U.S.A.

www.pulseeng.com

Tel: 858 674 8100  
Fax: 858 674 8262

### Pulse Europe

Einsteinstrasse 1  
D-71083 Herrenberg  
Germany

Tel: 49 7032 7806 0  
Fax: 49 7032 7806 135

### Pulse China Headquarters

B402, Shenzhen Academy of  
Aerospace Technology Bldg.  
10th Kejinan Rd.  
High-Tech Zone  
Nanshan District  
Shenzhen, PR China 518057

Tel: 86 755 33966678  
Fax: 86 755 33966700

### Pulse North China

Room 2704/2705  
Super Ocean Finance Ctr.  
2067 Yan An Rd. West  
Shanghai 200336  
China

Tel: 86 21 62787060  
Fax: 86 2162786973

### Pulse South Asia

135 Joo Seng Rd.  
#03-02  
PM Industrial Bld g.  
Singapore 368363

Tel: 65 6287 8998  
Fax: 65 6287 8998

### Pulse North Asia

3F, No. 198  
Zhongyuan Rd.  
Zhongli City  
Taoyuan County 320  
Taiwan R. O. C.

Tel: 886 3 4356768  
Fax: 886 3 4356823 (Pulse)  
Fax: 886 3 4356820 (FRE)

Performance warranty of products offered on this data sheet is limited to the parameters specified. Data is subject to change without notice. Other brand and product names mentioned herein may be trademarks or registered trademarks of their respective owners.

© Copyright, 2010. Pulse Engineering, Inc. All rights reserved.