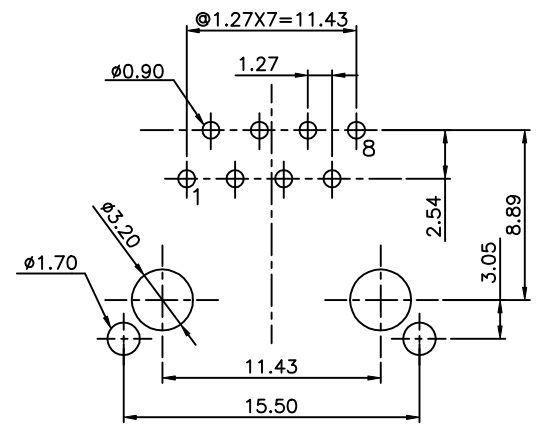
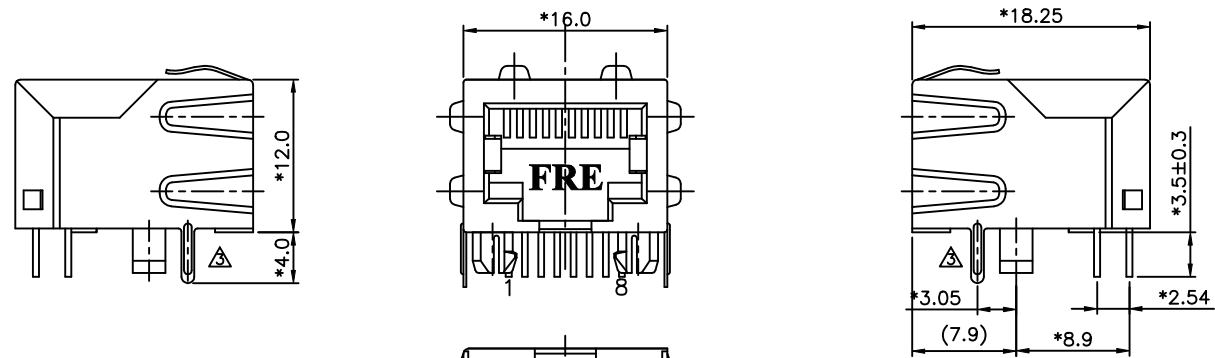


REVISION RECORD				
REV	ECO	DESCRIPTION	DRFT	CHKD
△		DRAWING MODIFY	CZH 8/21/2002	
△		NOTE MODIFY	Syng 12/19/2003	
△		DRAWING MODIFY	Among 10/09/2004	
△		ADD PART NO	GIJLER 02/25/2005	
△		MODIFY PART NO	SAMMY 05/11/05	



PC Board Layout Component Side Shown

NOTES:

ELECTRICAL:

1. VOLTAGE RATING : 125 VAC RMS.
2. CURRENT RATING : 1.5 AMP.
- △ 3. CONTACT RESISTANCE : 45 MILLIOHMS MAX.
4. INSULATION RESISTANCE: 1000 MEGOHMS MIN @ 500 VDC.
5. DIELECTRIC STRENGTH : 1000 VAC RMS 60Hz, 1MIN.

MECHANICAL:

1. HOUSING MATERIAL : GLASS FILLED POLYESTER UL94V-0.
2. CONTACT MATERIAL : PHOSPHOR BRONZE t=0.35mm.
3. PLATING : GOLD PLATING OVER NICKEL.
4. OPERATING LIFE : 750 CYCLES MIN.
5. PCB RETENTION PRE-SOLDER : 1 LB MIN.
6. PCB RETENTION POST-SOLDER: 10 LBS MIN.

ENVIRONMENTAL:

1. STORAGE : -40°C TO +85°C.
2. OPERATION: 0°C TO 70°C.

MATES WITH MODULAR PLUG CONFORMING TO FCC PART 68, SUBPART F.

CUL FILE NO. E163191

△ PART NUMBER: E5608-4R00RX

1- 3u"	2- 6u"
3-15u"	4-30u"
5-50u"	6-Pd 20u"

DETACHED LISTS	MM (INCH)	DFTO CZH	DATE 11/6/2001	FULL RISE ELECTRONIC CO., LTD	
	TOLERANCES EXCEPT AS NOTED	CHKDANKUE	DATE 2005/5/11		
		MFO	DATE		
		APPVLLUSHENG	DATE 2005/5/13		
	MM			TITLE	
	.0 ±0.20			11.5 SIDE ENTRY PCB JACK 8P(W/ TABS)	
	.00 ±0.15			DRAWING NO. GE563067	
	.000 ±0.075			/PART NO. SEE NOTE	
	ANGLES ±	QT'Y :		SIZE	REV
		FINISH :		A3	5
	THIRD ANGLE PROJECTION	SCALE :		DO NOT SCALE DRAWING	
				SHEET X	OF Y