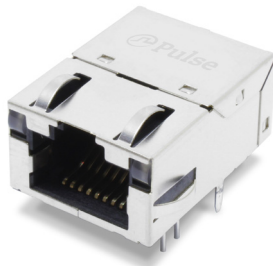


# Industrial Low profile PulseJack™ Integrated Connector

Rugged design for fast Ethernet and 1Gigabit connectivity



- Ⓢ Fully compliant to IEEE802.3 for 10/100/1000Base-T
- Ⓢ Open Inductance 350uH @ 8mA
- Ⓢ Compatible with market leading PHYs
- Ⓢ Rugged design for outdoor and industrial use
- Ⓢ Fully RoHS and Lead Free compliant-No exemptions
- Ⓢ Peak wave solder temperature 260°C

### Electrical Specifications @ 25°C - Operating Temperature -40°C to +85°C

Part Number	Data Rate	Turns Ratio	LED Configuration (L/R)	EMI Fingers Configuration	Design Style	Isolation (Pri:Sec)	Possible replacement to older design
JXD1-1V07NL	100Base-TX	1.00 +/- 3%	Green-Orange/Yellow	Top and Side	3W CMC on TX	2250VDC / 60sec	JOG-0007NL
JXD1-1V17NL	100Base-TX	1.00 +/- 3%	Green-Orange/Yellow	None	2W CMC on RX	2250VDC / 60sec	NEW
JXD1-1V09NL	1000Base-T	1.00 +/- 3%	Green-Orange/Yellow	Top and Side	3W CMC on PHY side	2250VDC / 60sec	JOG-0009NL

Recommended replacements for older PulseJack latch-up products - JOG-00xxNL

### Electrical Specifications @ 25°C - Operating Temperature -40°C to +85°C

Part Number	Insertion Loss (MAX)	Return Loss (MIN)			Crosstalk (MIN)			CMRR (MIN)	DCR (J1-J2) (J3-J6)
	1 - 100MHz	1 - 30MHz	30 - 60MHz	60 - 80MHz	1MHz	30 - 60MHz	100MHz	1 - 100MHz	
JXD1-1V07NL	-1.0dB	-18dB	-16dB	-12dB	-35dB	-30dB	-30dB	-30dB	1.2 OHM max
JXD1-0V17NL	-1.0dB	-18dB	-16dB	-12dB	-35dB	-30dB	-30dB	-30dB	1.2 OHM max

### Electrical Specifications @ 25°C - Operating Temperature -40°C to +85°C

Part Number	Insertion Loss (MAX)	Return Loss (MIN)			Crosstalk (MIN)			CMRR (MIN)	DCR (J1-J2), (J3-J6) (J4-J5), (J7-J8)
	1 - 125MHz	1 - 30MHz	30 - 60MHz	60 - 100MHz	1MHz	30 - 60MHz	100MHz	1 - 100MHz	
JXD1-1V09NL	-1.2dB	-18dB	-16dB	-10dB	-38dB	-33dB	-30dB	-30dB	1.2 OHM max

#### Notes:

1. ROHS Compliant:
2. Plastic housing: thermoplastic material with flammability rating UL94V-0 or better
3. Contacts plating: 30 micro-inch gold plating
4. Contacts base material: Phosphor bronze
5. Under plating: 50u inches min nickel
6. Solder Tail Plating: 100 min u inches 100% tin, matte finish
7. Metal shield - nickel plating on Stainless Steel
8. Jack cavity conforms to FCC part 68 subpart
9. PCB plating: HASL
10. Storage temperature: -40°C to 85°C
11. Compliance to J-STD:
  - A. J-STD-002: solderability at 245°C DIP and LOOK test
  - B. J-STD-020: level 1, no moisture sensitive
  - C. J-STD-075: W2, 270°C maximum through wave solder
12. All parts are shipped in trays with 60pcs/tray - see page4 for details

#### RJ45 Connector performance:

- Insulation Resistance : 500M Ohms Min
- Insertion force with the latch depressed : 22N Max
- Removal force with the latch depressed : 44N Max
- Durability : 750 Cycles

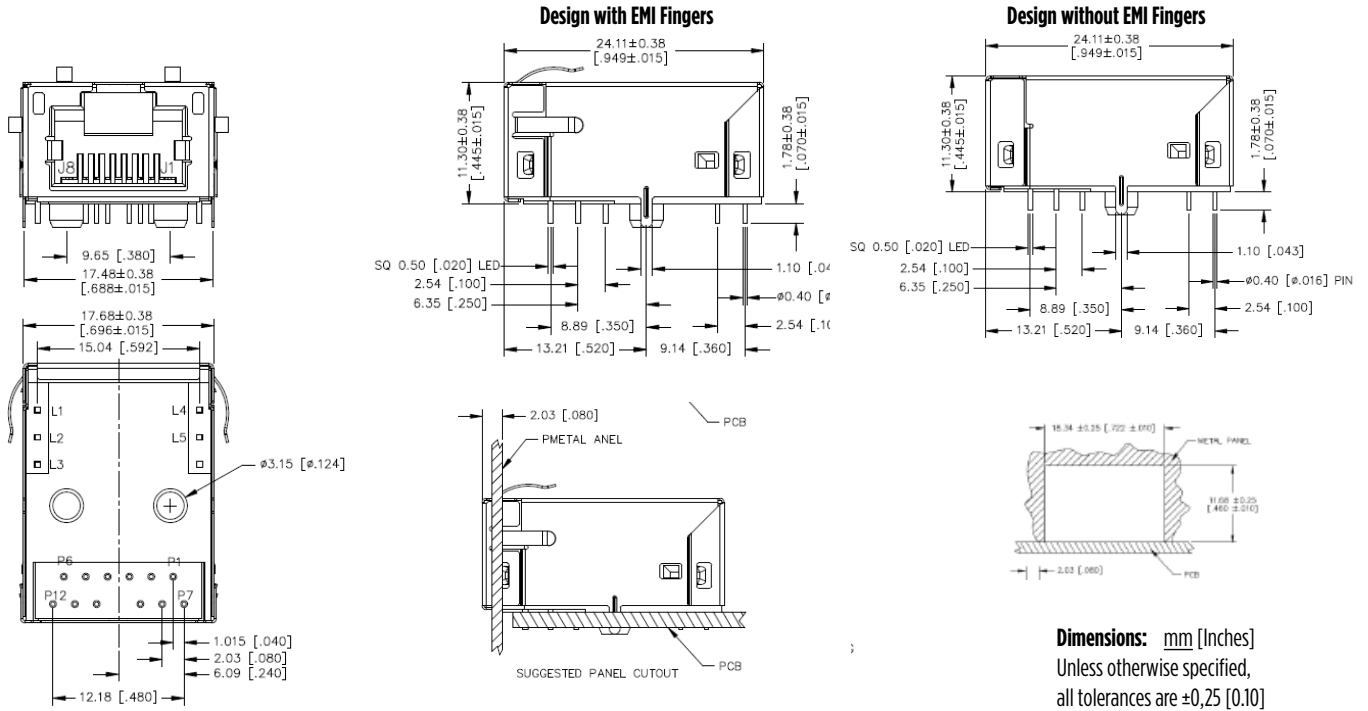
# Industrial Low profile PulseJack™ Integrated Connector

Rugged design for fast Ethernet and 1Gigabit connectivity

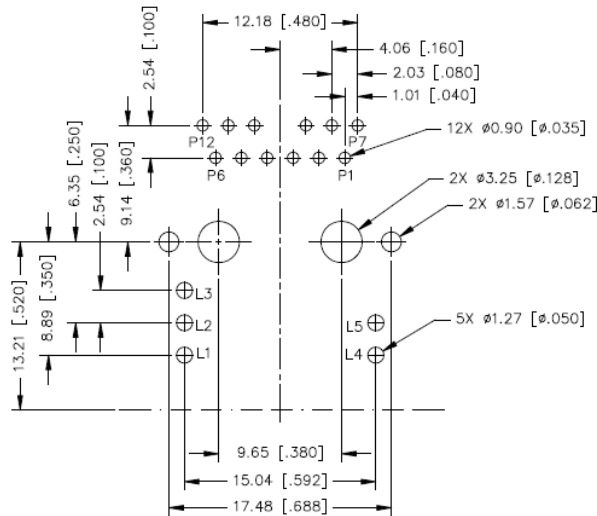


## MECHANICALS

JXD1-IVxxNL



## RECOMMENDED FOOTPRINT



SUGGESTED FOOTPRINT (COMPONENT SIDE SHOWN)

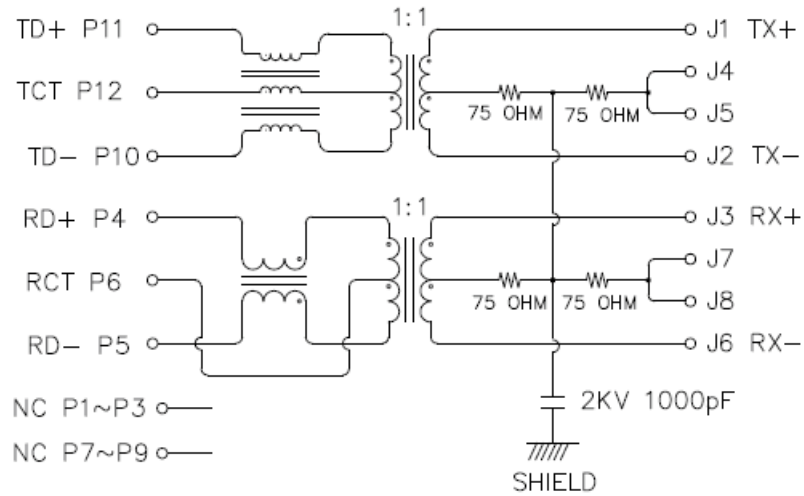
# Industrial Low profile PulseJack™ Integrated Connector

Rugged design for fast Ethernet and 1Gigabit connectivity

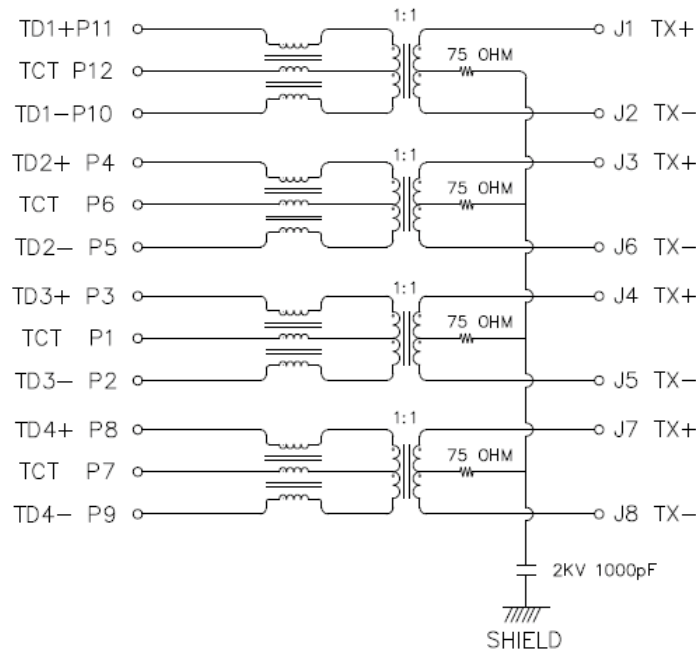


## SCHEMATICS

### JXD1-1V07NL, JXD1-1V17NL



### JXD1-1V09NL



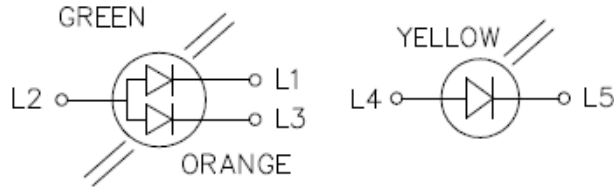
SUGGESTED FOOTPRINT (COMPONENT SIDE SHOWN)

# Industrial Low profile PulseJack™ Integrated Connector

Rugged design for fast Ethernet and 1Gigabit connectivity

## LED SCHEMATICS

JX20-0114NL, JX20-0206NL, JX20-0237NL

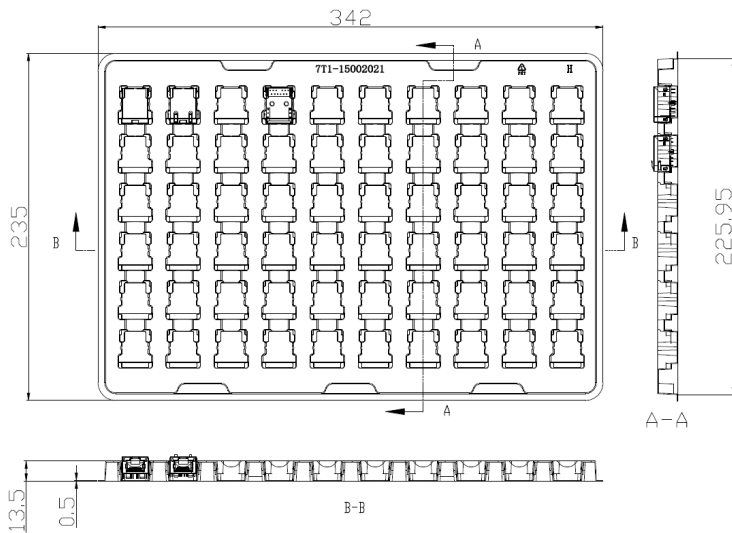


### LED SPECIFICATION

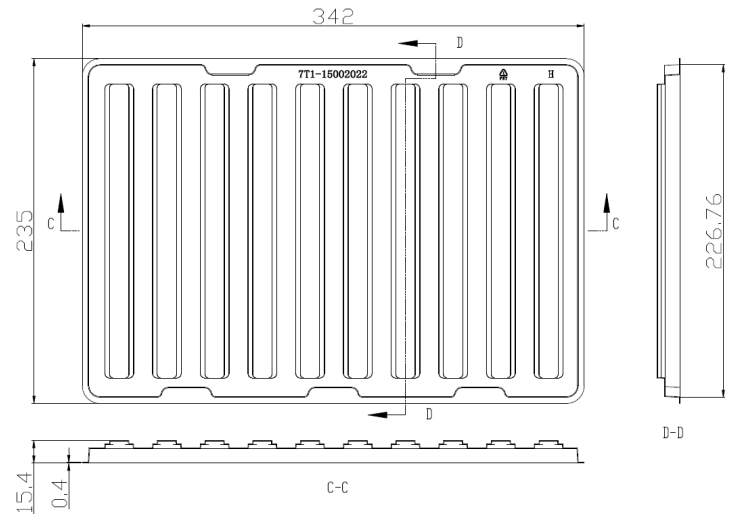
EMITTING COLOR	$\lambda_p$ (nm)	$V_f @ I_f = 20\text{mA}$	$I_r @ V_r = 5\text{V}$
GREEN	570	1.7V-2.6V	10 $\mu\text{A}$ max.
YELLOW	590	1.7V-2.6V	10 $\mu\text{A}$ max.
ORANGE	610	1.7V-2.6V	10 $\mu\text{A}$ max.

## PACKING DETAILS

### COMPONENT PACKING TRAY



### TOP PACKING COVER



1. **Material:** Conductive PET, 0.5mm thick
2. **Components per Tray:** 60 pcs
3. **Quantity per box:** 10x Tray = 600 pcs

### For More Information:

Americas - [prodinfinetworkamericas@yageo.com](mailto:prodinfinetworkamericas@yageo.com) | Europe - [prodinfinetworkemea@yageo.com](mailto:prodinfinetworkemea@yageo.com) | Asia - [prodinfinetworkapac@yageo.com](mailto:prodinfinetworkapac@yageo.com)

Performance warranty of products offered on this data sheet is limited to the parameters specified. Data is subject to change without notice. Other brand and product names mentioned herein may be trademarks or registered trademarks of their respective owners. © Copyright, 2022. Pulse Electronics, Inc. All rights reserved.