

**Description: SMD 18x18x2 GPS Patch Antenna**

**PART NUMBER: ANT1818B00AT1575S**

**Features:**

- Size : 18.0x18.0x2.0 mm
- High radiation efficiency
- Tape & reel automatic mounting
- Reflow process compatible
- RoHS compliant

**Applications:**

- Navigation device
- Telematics box
- Fleet management

**ELECTRICAL SPECIFICATIONS**

<b>Description</b>	<b>VALUE</b>
<b>Dimension</b>	18.0×18.0×2.0 mm <sup>3</sup>
<b>Centre Frequency</b>	1580± 3 MHz
<b>Bandwidth</b>	6 MHz (Typ.)
<b>Gain</b>	2.0 dBic (Typ.)
<b>VSWR</b>	1.5 Max.
<b>Polarization</b>	Right Hand Circular Polarization
<b>Axis Ratio</b>	≤ 3 dB
<b>Beam Width</b>	> 120 degrees
<b>Impedance</b>	50Ω
<b>Operating Temperature</b>	-40~105 °C
<b>NOTE</b>	

1. Based on 50\*50mm<sup>2</sup> square ground plane.
2. Centre frequency will be offset to working frequency while changes of customer's housing and ground plane.
3. Please contact local sales if you need customized design to gain optimum antenna performance.

In the effort to improve our products, we reserve the right to make changes judged to be necessary.

CONFIDENTIAL AND PROPRIETARY INFORMATION

This document contains confidential and proprietary information of Pulse Electronics, Inc. (Pulse) and is protected by copyright, trade secret and other state and federal laws. Its receipt or possession does not convey any rights to reproduce, disclose its contents, or to manufacture, use or sell anything it may describe. Reproduction, disclosure or use without specific written authorization of Pulse is strictly forbidden.

For more information:



Pulse Worldwide Headquarters  
15255 Innovation Drive #100  
San Diego, CA 92128  
USA  
Tel:1-858-674-8100

Pulse/Larsen Antennas  
18110 SE 34<sup>th</sup> St Bldg 2 Suite 250  
Vancouver, WA 98683  
USA  
Tel: 1-360-944-7551

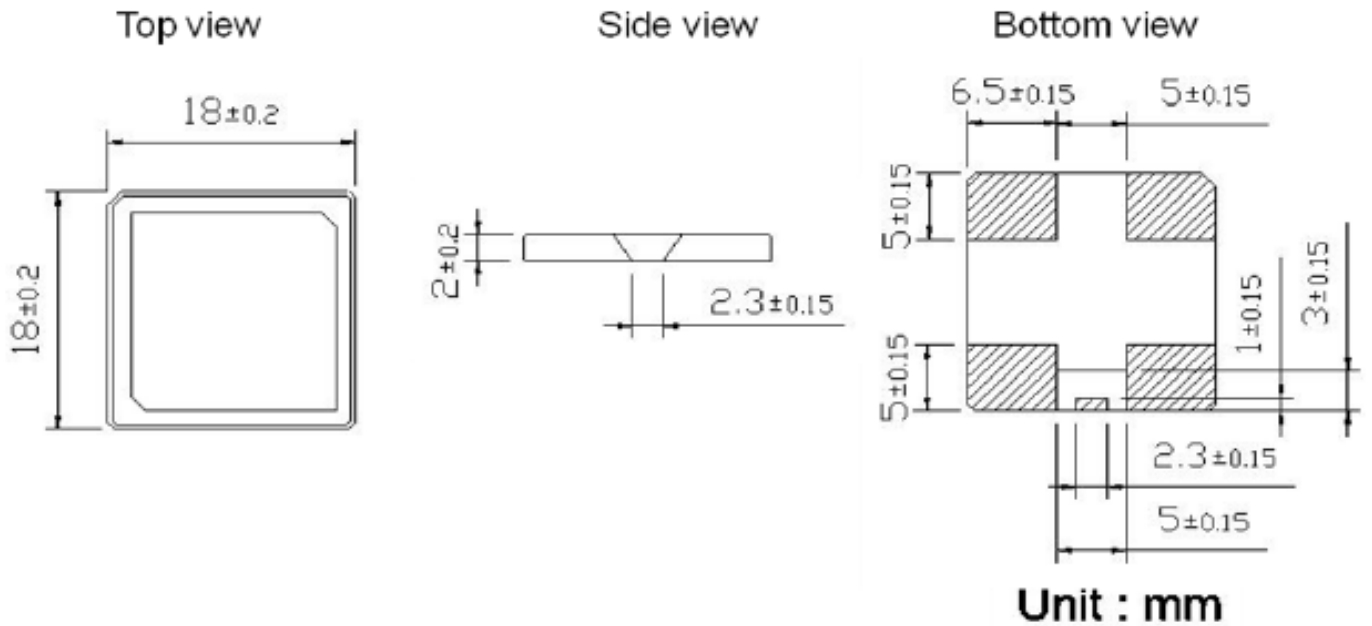
Europe Headquarters  
Pulse GmbH & Do, KG  
Zeppelinstrasse 15  
Herrenberg, Germany  
Tel: 49 7032 7806 0

Pulse (Suzhou) Wireless Products Co, Inc.  
99 Huo Ju Road(#29 Bldg,4<sup>th</sup> Phase  
Suzhou New District  
Jiangsu Province, Suzhou 215009 PR China  
Tel: 86 512 6807 9998

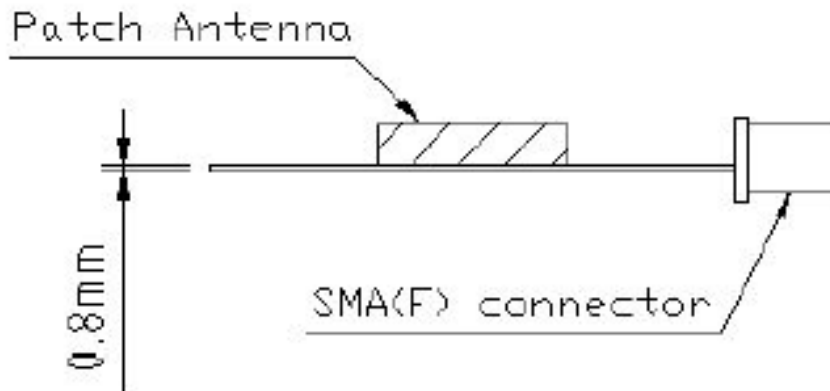
**Description:** SMD 18x18x2 GPS Patch Antenna

**PART NUMBER:** ANT1818B00AT1575S

**ELECTRICAL SPECIFICATIONS**



Mechanical Data



**Ground Plane Size: 50\*50 mm<sup>2</sup>**

Evaluation Board

In the effort to improve our products, we reserve the right to make changes judged to be necessary.

CONFIDENTIAL AND PROPRIETARY INFORMATION

This document contains confidential and proprietary information of Pulse Electronics, Inc. (Pulse) and is protected by copyright, trade secret and other state and federal laws.

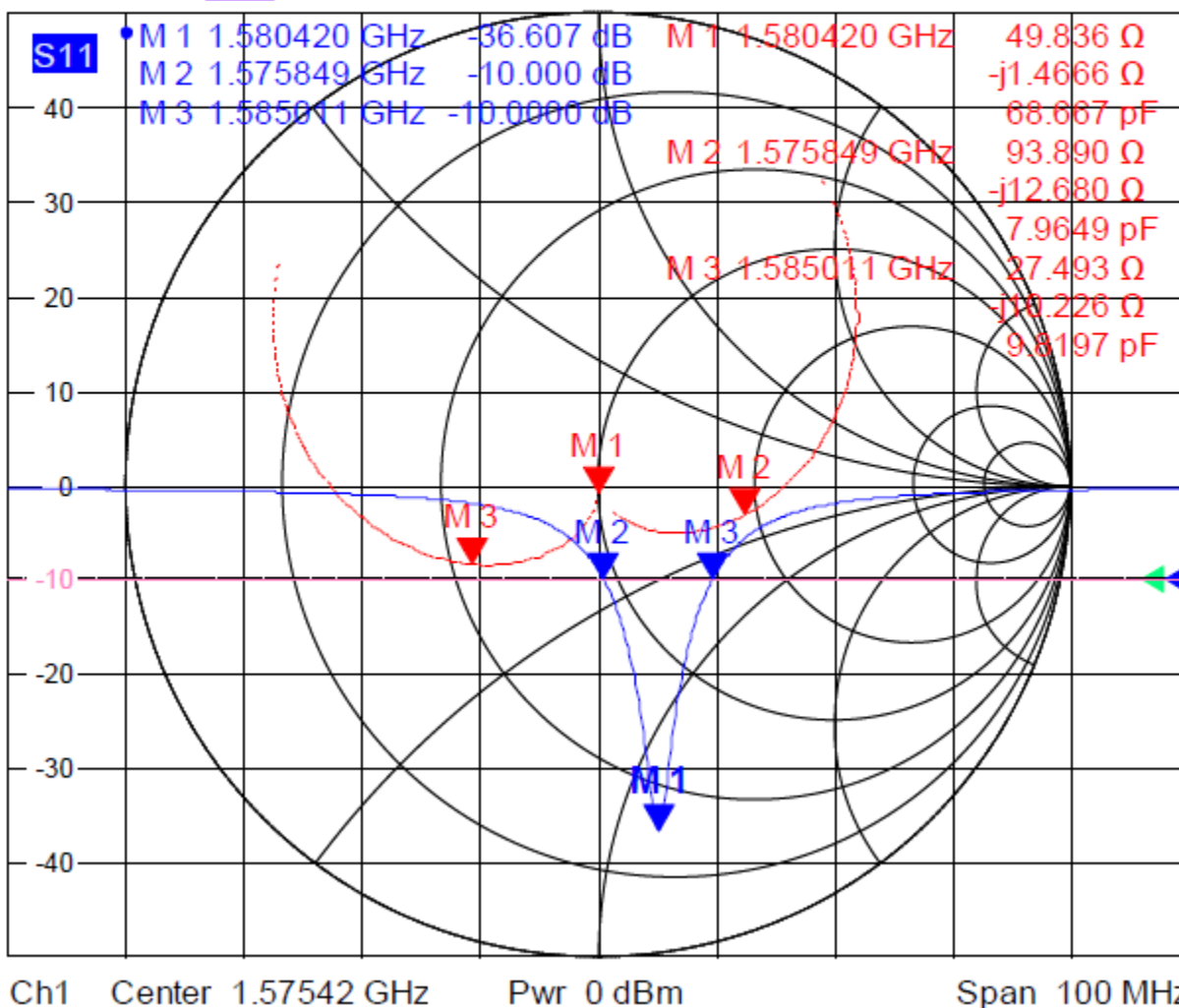
Its receipt or possession does not convey any rights to reproduce, disclose its contents, or to manufacture, use or sell anything it may describe. Reproduction, disclosure or use without specific written authorization of Pulse is strictly forbidden.

**Description: SMD 18x18x2 GPS Patch Antenna**

**PART NUMBER: ANT1818B00AT1575S**

**ELECTRICAL SPECIFICATIONS**

Trc1	<b>S11</b>	dB Mag	10 dB / Ref -10 dB	Cal	1 of 1 (Max)
Trc2	<b>S11</b>	Smith	Ref 1 U	Cal	
Mem3[Trc1]	<b>S11</b>	dB Mag	10 dB / Ref -10 dB	Invisible	
Mem4[Trc2]	<b>S11</b>	Smith	Ref 1 U	Invisible	



Return loss

In the effort to improve our products, we reserve the right to make changes judged to be necessary.

CONFIDENTIAL AND PROPRIETARY INFORMATION

This document contains confidential and proprietary information of Pulse Electronics, Inc. (Pulse) and is protected by copyright, trade secret and other state and federal laws. Its receipt or possession does not convey any rights to reproduce, disclose its contents, or to manufacture, use or sell anything it may describe. Reproduction, disclosure or use without specific written authorization of Pulse is strictly forbidden.

**Description:** SMD 18x18x2 GPS Patch Antenna

**PART NUMBER:** ANT1818B00AT1575S

### REVISION HISTORY

Revision	Date	Description
Version 1	Nov. 24, 2020	- New issue