

Description: 1608 2.4GHz Balun

PART NUMBER: BLN1608LL30R2400A

Features:

- Compact size : 1.6x0.8x0.6mm
- RoHS compliant

Applications:

- WLAN, 802.11a/b/g/n
- Bluetooth
- ISM Band

ELECTRICAL SPECIFICATIONS

DESCRIPTION	Value
Pass Band	2400~2500 MHz
Unbalanced Impedance	50Ω
balanced Impedance	50Ω
Insertion Loss	1.2 dB (Max.) at -40 ~ 85°C
V.S.W.R / Return Loss	2.0(Max) / 10 dB (Min.)
Phase Difference	180 ±10 degree
Amplitude Difference	±2 dB (Max)
Operating Temperature	-40 ~ +85°C

In the effort to improve our products, we reserve the right to make changes judged to be necessary.

CONFIDENTIAL AND PROPRIETARY INFORMATION

This document contains confidential and proprietary information of Pulse Electronics, Inc. (Pulse) and is protected by copyright, trade secret and other state and federal laws. Its receipt or possession does not convey any rights to reproduce, disclose its contents, or to manufacture, use or sell anything it may describe. Reproduction, disclosure or use without specific written authorization of Pulse is strictly forbidden.

For more information:



Pulse Worldwide Headquarters
15255 Innovation Drive #100
San Diego, CA 92128
USA
Tel:1-858-674-8100

Pulse/Larsen Antennas
18110 SE 34th St Bldg 2 Suite 250
Vancouver, WA 98683
USA
Tel: 1-360-944-7551

Europe Headquarters
Pulse GmbH & Do, KG
Zeppelinstrasse 15
Herrenberg, Germany
Tel: 49 7032 7806 0

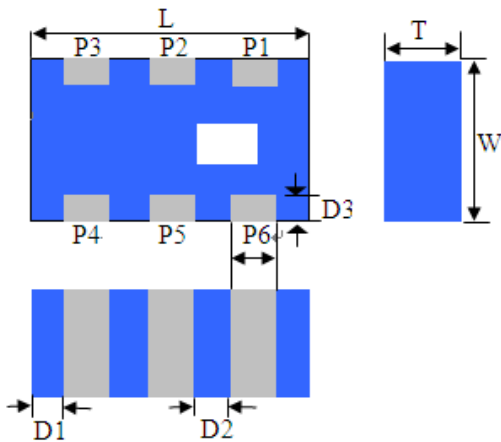
Pulse (Suzhou) Wireless Products Co, Inc.
99 Huo Ju Road(#29 Bldg,4th Phase
Suzhou New District
Jiangsu Province, Suzhou 215009 PR China
Tel: 86 512 6807 9998

Description: 1608 2.4GHz Balun

PART NUMBER: BLN1608LL30R2400A

MECHANICAL DIMENSION

Outline



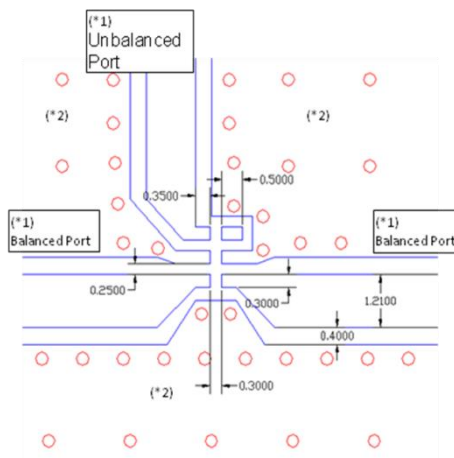
Termination

Terminal name	function
P1	Unbal.
P2	GND or DC
P3	Balanced
P4	Balanced
P5	GND
P6	Not Connect

Mechanical

	Dimension
L (mm)	1.60 ±0.15
W (mm)	0.80 ±0.15
T (mm)	0.60 ±0.15
P1 (mm)	0.20 ±0.15
P2 (mm)	0.20 ±0.15
P3 (mm)	0.20 ±0.15
P4 (mm)	0.20 ±0.15
P5 (mm)	0.20 ±0.15
P6 (mm)	0.20 ±0.15
D1 (mm)	0.20 ±0.15
D2 (mm)	0.30 ±0.10
D3 (mm)	0.15 ±0.10

Reference design of EVB



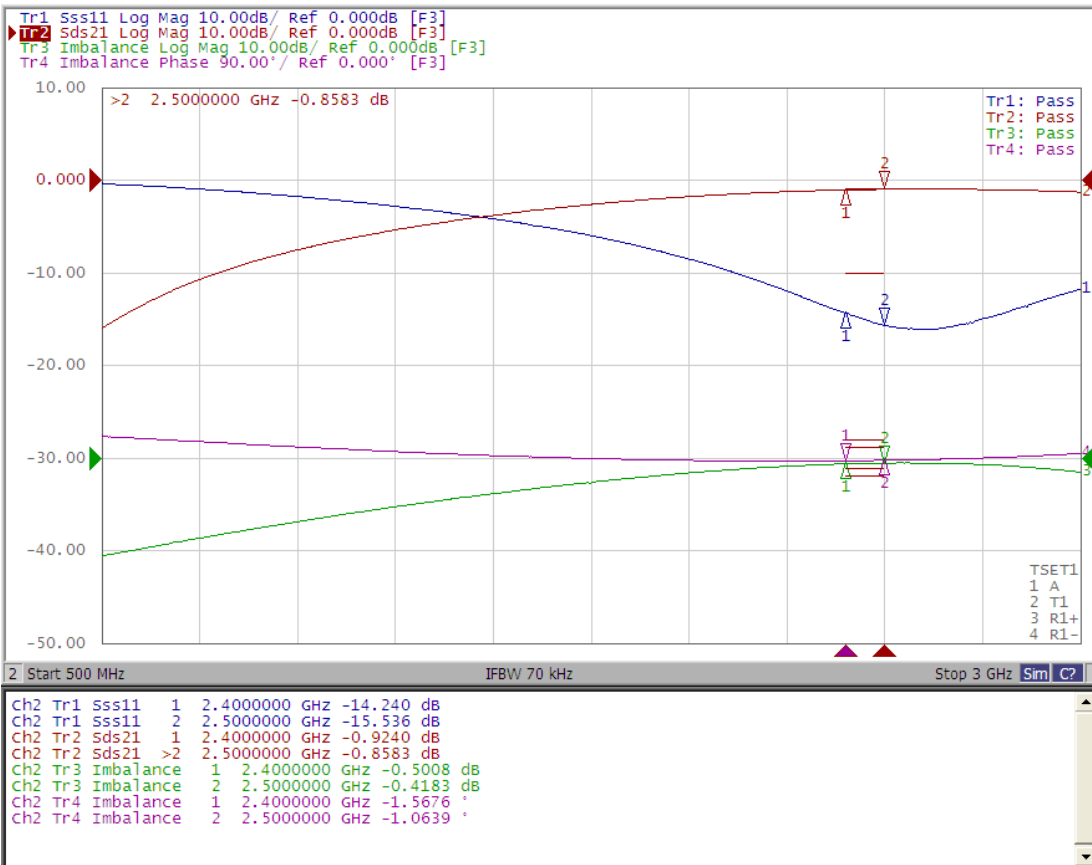
(*1) 50Ω line
(*2) GND plane

Line width should be designed to match 50Ω characteristic impedance, depending on PCB material and thickness.

Description: 1608 2.4GHz Balun

PART NUMBER: BLN1608LL30R2400A

ELECTRICAL PERFORMANCES



- Measured on Agilent E5071C Network Analyzer
- Unbalanced port return loss (Sss11)
- Insertion loss (Sds21, differential port to single-ended port) and
- Imbalance (S21/S31 amplitude and phase difference)

Frequency Characteristics

Description: 1608 2.4GHz Balun

PART NUMBER: BLN1608LL30R2400A

REVISION HISTORY

Revision	Date	Description
Version 1	Oct. 06, 2020	- New issue