



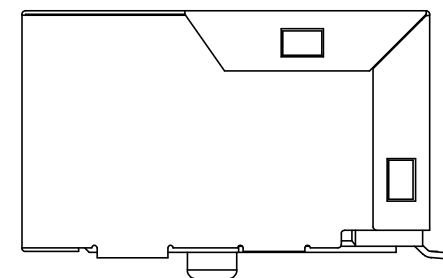
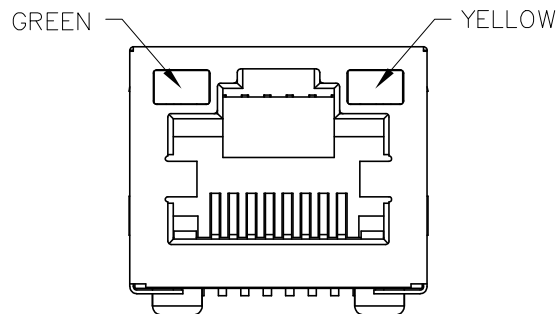
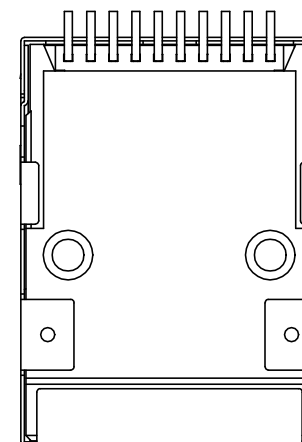
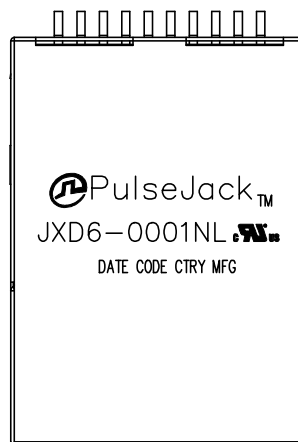
NOTES:

1. CONNECTOR MATERIAL:
 HOUSING: LCP BLACK UL94 V-0
 INSERTER: LCP BLACK UL94 V-0
 SHIELD: BRASS
 SHIELD PLATING: NICKEL
 CONTACT: COOPER ALLOY
 CONTACT PLATING: SELECTIVE GOLD, 6 MICRO-INCHS MIN IN CONTACT AREA
2. PIN NOT ELECTRICALLY CONNECTED MAYBE OMITTED SEE ELECTRICAL DRAWING FOR OMITTED PINS
3. RJ45 CAVITIES CONFORM TO FCC RULES AND REGULATION PART 68.
4. OPERATING TEMPERATURE T=-40°C TO +85°C.
5. STORAGE TEMPERATURE T=-40°C TO +85°C.
6. COMPLIANCE TO J-STD:
 - A. J-STD-020: LEVEL 1, NO MOISTURE SENSITIVE
 - B. REFLOW PROFILE PEAK TEMPERATURE 245°C MAX/8 SECONDS

PACKING SPECIFICATION

REEL DIAMETER.....330.0 mm
 TAPE WIDTH.....44.0 mm
 POCKET PITCH.....28.0 mm

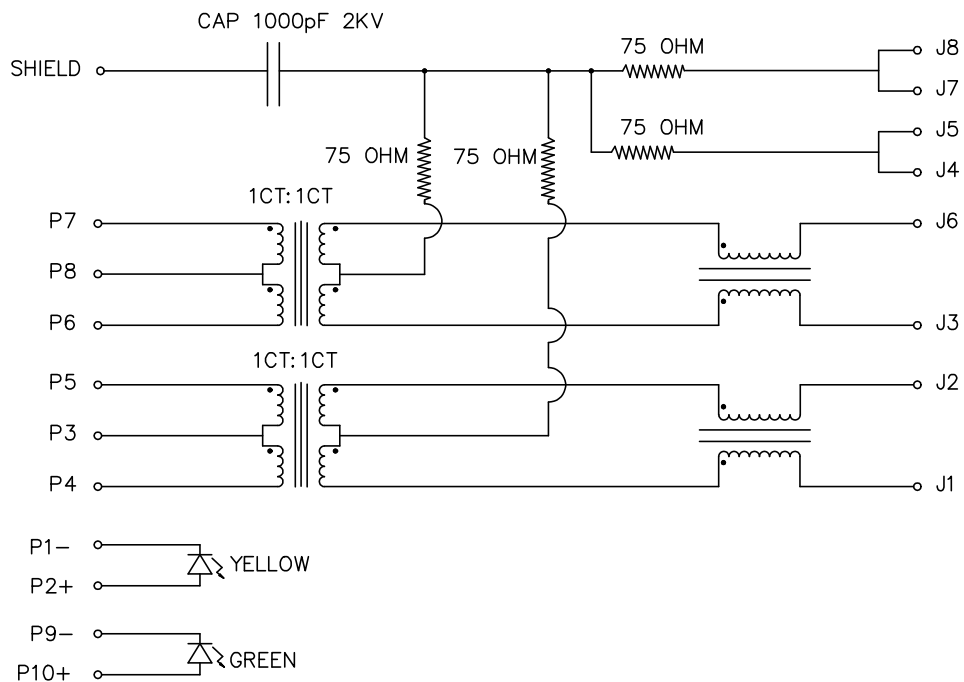
QUANTITY PER REEL..... 110 pcs
 COMPONENT WEIGHT..... 8.1 grams



FINAL OUTLINE

© Copyright, 2019. Pulse Electronics Corp. All rights reserved. Pulse confidential & proprietary. (05/24/19)

PRODUCT DESCRIPTION	TLA DRAWING	PS DRAWING	SHEET	PART NO.	DATASHEET REV.
CONN,RJ45,1X1,100D,1: 1, TY	JXD6-0001NL-11	PS-XXXX	1 OF 5	JXD6-0001NL	D



SCHEMATIC

ELECTRONICAL SPECIFICATIONS:

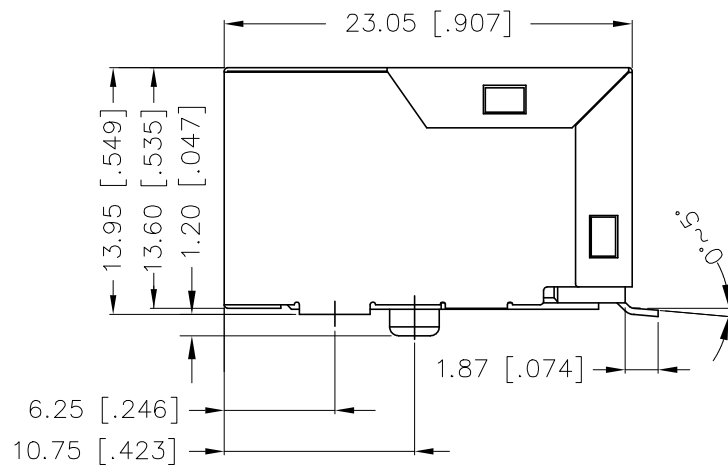
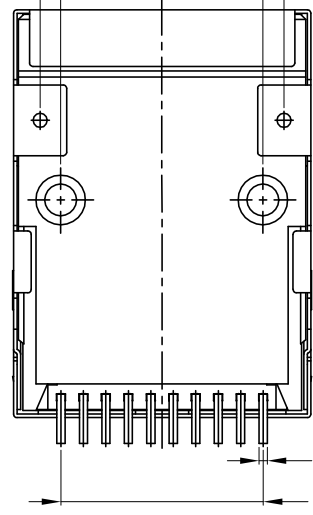
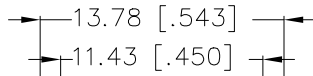
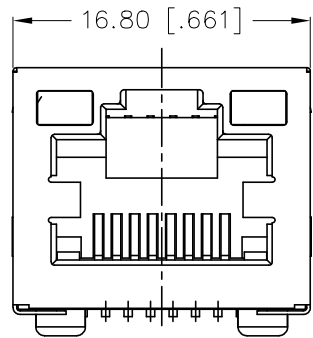
- 1.0 TURN RATIO @100KHz: (P4~P5):(J1~J2) = 1:1±5%
(P6~P7):(J3~J6) = 1:1±5%
- 2.0 PRIMARY INDUCTANCE: 350uH MIN @100KHz, 0.1V 8mA DC BIAS
- 3.0 DC RESISTANCE: (J1~J2):(J3~J6) 1.2 OHMS MAX
- 4.0 INSERTION LOSS: 1-100MHz -1.2dB MAX
- 5.0 RETURN LOSS: 1-30MHz -16dB MIN
30-60MHz -12dB MIN
60-80MHz -10dB MIN
- 6.0 CROSS TALK: 1-100MHz -30dB MIN
- 7.0 COMMON TO COMMON MODE ATTENUATION: 1-100MHz -30dB MIN
- 8.0 ISOLATION: PHY SIDE TO LINE SIDE: 2250VDC

EMMITTED COLOR	GREEN	YELLOW
WAVELENGTH (nm)	570 nM	588 nM
BRIGHTNESS (mCD)	18 TYP. AT 20 mA	9.5 TYP. AT 20 mA
VIEWING ANGLE	150°	130°
POWER DISSIPATION (Pd)	80 mW MAX	80 mW MAX
FORWARD VOLTAGE (Vf)	2.2 V TYP 2.6 V MAX	2.1 V TYP 2.6 V MAX
REVERSE VOLTAGE (Vr)	5.0 V MAX	5.0 V MAX

NOTE: PER VENDOR'S SPECIFICATIONS

© Copyright, 2019. Pulse Electronics Corp. All rights reserved. Pulse confidential & proprietary. (05/24/19)

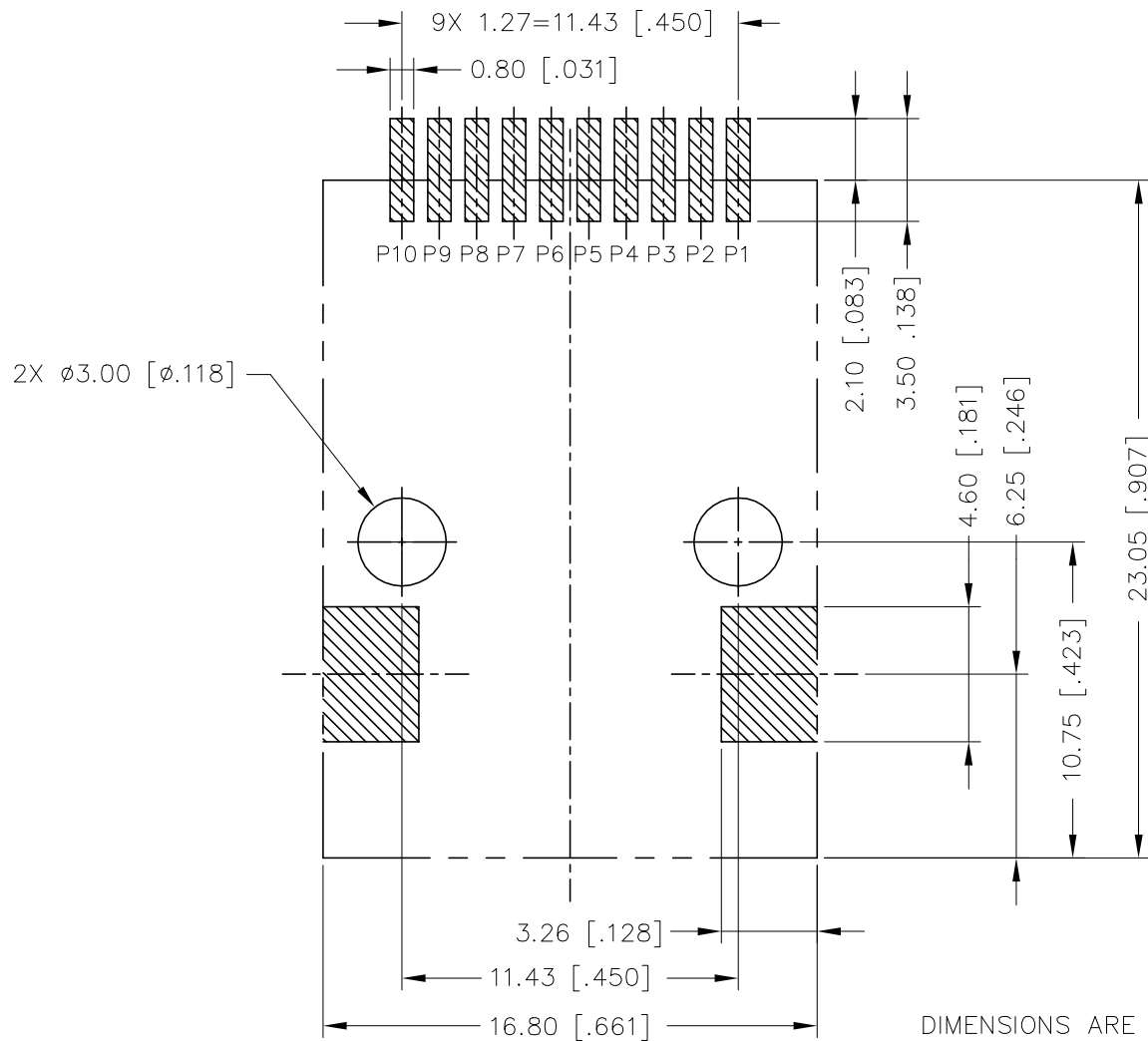
PRODUCT DESCRIPTION	TLA DRAWING	PS DRAWING	SHEET	PART NO.	DATASHEET REV.
CONN,RJ45,1X1,100D,1:1,TY	JXD6-0001NL-11	PS-XXXX	2 OF 5	JXD6-0001NL	D



DIMENSIONS ARE IN MILLIMETERS [INCHES] WITH THE FOLLOWING TOLERANCES: [INCHES] ARE FOR REFERENCE ONLY.
X.XX= ±0.25 [±.010]

© Copyright, 2019. Pulse Electronics Corp. All rights reserved. Pulse confidential & proprietary. (05/24/19)

PRODUCT DESCRIPTION	TLA DRAWING	PS DRAWING	SHEET	PART NO.	DATASHEET REV.
CONN,RJ45,1X1,100D,1:1,TY	JXD6-0001NL-11	PS-XXXX	3 OF 5	JXD6-0001NL	D

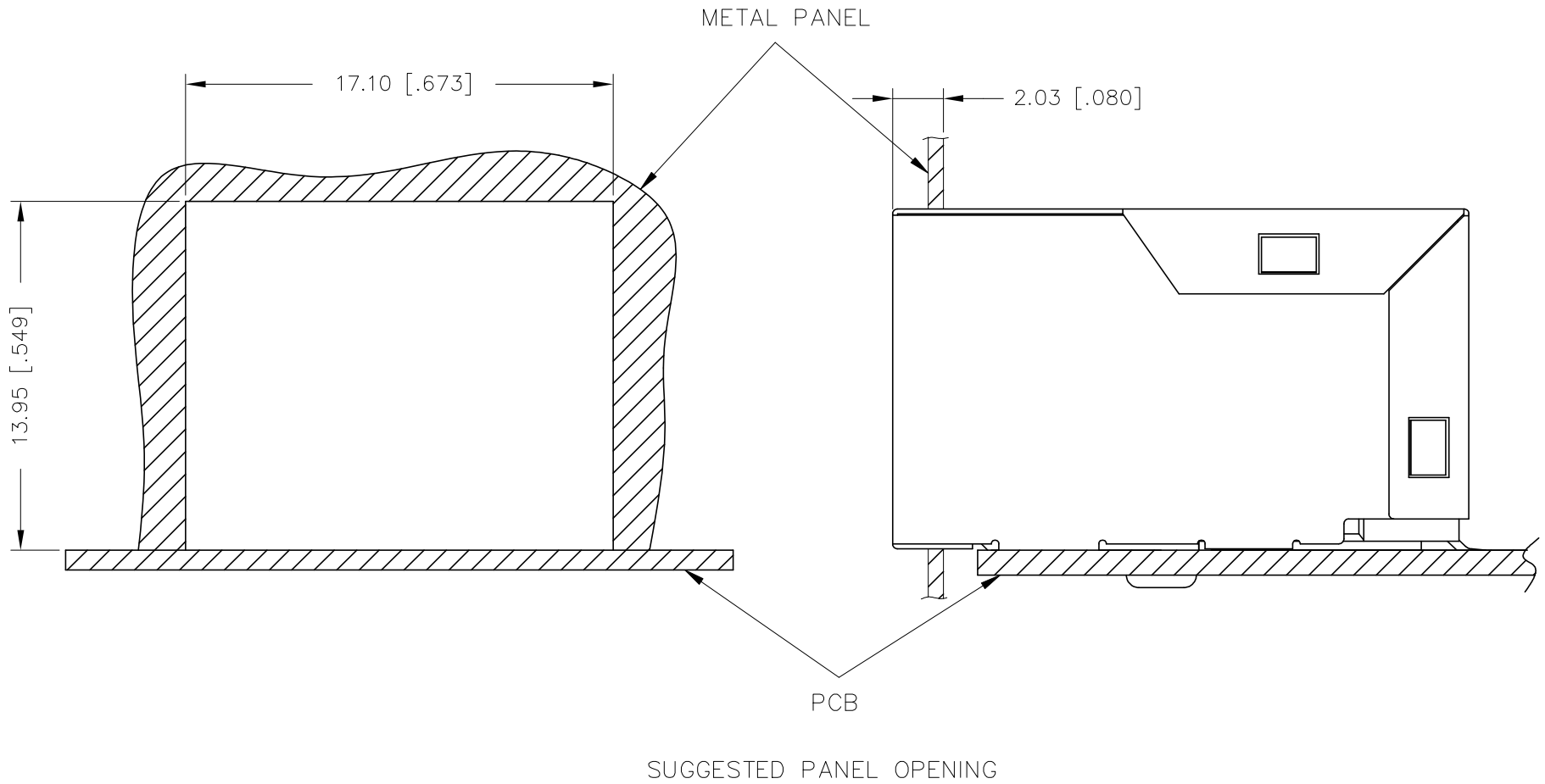


RECOMMENDED PCB LAYOUT
(COMPONENT SIDE VIEW)

DIMENSIONS ARE IN MILLIMETERS [INCHES] WITH THE FOLLOWING TOLERANCES: [INCHES] ARE FOR REFERENCE ONLY.
X.XX= ±0.10 [±.004]

© Copyright, 2019. Pulse Electronics Corp. All rights reserved. Pulse confidential & proprietary. (05/24/19)

PRODUCT DESCRIPTION	TLA DRAWING	PS DRAWING	SHEET	PART NO.	DATASHEET REV.
CONN,RJ45,1X1,100D,1:1,TY	JXD6-0001NL-11	PS-XXXX	4 OF 5	JXD6-0001NL	D



TOLERANCES: [INCHES] ARE FOR REFERENCE ONLY.

X.XX= ± 0.10 [$\pm .004$]

© Copyright, 2019. Pulse Electronics Corp. All rights reserved. Pulse confidential & proprietary. (05/24/19)

PRODUCT DESCRIPTION	TLA DRAWING	PS DRAWING	SHEET	PART NO.	DATASHEET REV.
CONN,RJ45,1X1,100D,1:1,TY	JXD6-0001NL-11	PS-XXXX	5 OF 5	JXD6-0001NL	D