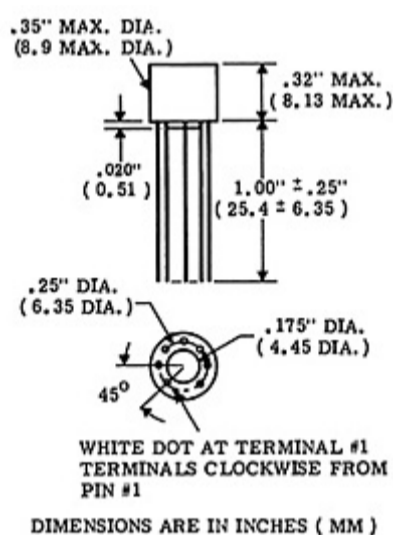


## Ultra Miniature Transformers

### W Series Thru Hole

#### Specifications

- **MIL-PRF-27:** All units manufactured to MIL-PRF-27, Grade 5, Class S.
- **FREQUENCY RESPONSE:**  $\pm 3$ db, 400 Hz - 100 KHz at 1.0 Milliwatt.
- **MAXIMUM DISTORTION:** 5% With Rated Power Level at 1 KHz and 400 Hz.
- **DIELECTRIC STRENGTH:** All Units Tested at 200 V RMS.
- **INSULATION RESISTANCE:** Greater Than 10,000 Megohms at 300 V DC.
- **WEIGHT:** 2.5 Grams.
- **OPERATING TEMPERATURE:** -55° C to +130° C
- **TERMINALS:** Solid .016 Diameter Conductor. Solderability per MIL-STD-202 Method 208.
- **THERMAL SHOCK:** 25 Cycles, Method 107, MIL-STD-202, Test Condition 55° C. to +130° C



Larger size drawing of W Series [1]

#### Ultra Miniature Transformers: W Series

Pico Part Number W Series	Prim. Imped. Ohms	Sec. Imped. Ohms Split Windings		Power Watts		Prim. Unbal. DC Curr. ma	Prim. DC Resist. Ohms	Sec. DC Resist. Ohms		Turns Ratio Prim/Sec.		Prices 1-9 *** (US \$)
		SER	PAR	1 KHz and higher	400 Hz and higher			Ser Conn	Par Conn	Sec Ser Conn	Sec Par Conn	
W-26003	10ct	10ct	2.5	.4	.075	31.6	1.1	1.3	.33	1:1	2:1	51.83
W-26005	20ct	8ct	2	.4	.075	22.3	2.2	1	.25	1.58:1	3.16:1	51.83
W-26010	20ct	20ct	5	.4	.075	22.3	2.2	2.6	.65	1:1	2:1	51.83
W-26015	32ct	32ct	8	.4	.075	17.6	3.5	4.2	1.05	1:1	2:1	51.83
W-26020	40ct	40ct	10	.4	.075	15.8	4	4.5	1.2	1:1	2:1	51.83

W-26025	48ct	16ct	4	.4	.075	14.4	5.3	1.9	.48	1.73:1	3.46:1	54.93
W-26030	50ct	50ct	12.5	.4	.075	14.1	5.6	6.5	1.6	1:1	2:1	54.93
W-26035	80ct	32ct	8	.4	.075	11.1	8	4	1	1.58:1	3.16:1	65.30
W-26040	100ct	40ct	10	.4	.075	10	10	4.5	1.2	1.58:1	3.16:1	54.93
W-26045	100ct	100ct	25	.4	.075	10	10	12	3	1:1	2:1	54.93

**Ultra Miniature Transformers:  
W Series**

Pico Part Number W Series	Prim. Imped. Ohms	Sec. Imped. Ohms Split Windings		Power Watts		Prim. Unbal. DC Curr. ma	Prim. DC Resist. Ohms	Sec. DC Resist. Ohms		Turns Ratio Prim/Sec.		Prices 1-9 *** (US \$)
		SER	PAR	1 KHz and higher	400 Hz and higher			Ser Conn	Par Conn	Sec Ser Conn	Sec Par Conn	
W-26050	120ct	12.8ct	3.2	.4	.075	9.1	12	1.5	.38	3.06:1	6.12:1	49.43
W-26055	120ct	60ct	15	.4	.075	9.1	12	7.2	1.8	1.41:1	2.83:1	65.30
W-26060	120ct	120ct	30	.4	.075	9.1	12	14.5	3.6	1:1	2:1	65.30
W-26065	150ct	12ct	3	.4	.075	8.2	15	1.5	.38	3.54:1	7.08:1	49.43
W-26070	150ct	50ct	12.5	.4	.075	8.2	15	6	1.5	1.73:1	3.46:1	54.93
W-26075	150ct	100ct	25	.4	.075	8.2	15	12	3	1.22:1	2.45:1	54.93
W-26080	150ct	150ct	37.5	.4	.075	8.2	15	16.8	4.2	1:1	2:1	65.30
W-26085	150ct	600ct	150	.4	.075	8.2	15	70	17.5	1:2	1:1	54.93
W-26090	200ct	200ct	50	.4	.075	7	20	24	6	1:1	2:1	54.93
W-26095	300ct	12ct	3	.4	.075	5.8	30	1.5	.38	5:1	10:1	49.43
W-26100	300ct	50ct	12.5	.4	.075	5.8	30	6	1.5	2.45:1	4.9:1	54.93
W-26105	300ct	150ct	37.5	.4	.075	5.8	30	18	4.5	1.41:1	2.83:1	54.93
W-26110	300ct	300ct	75	.4	.075	5.8	30	36	9	1:1	2:1	65.30
W-26115	300ct	600ct	150	.4	.075	5.8	30	72	18	1:1.41	1.41:1	49.43
W-26120	320ct	12.8ct	3.2	.4	.075	5.6	32	1.5	.38	5:1	10:1	49.43
W-26125	400ct	40ct	10	.4	.075	5	40	4.5	1.1	3.16:1	6.32:1	65.30
W-26130	400ct	120ct	30	.4	.075	5	40	14	3.5	1.83:1	3.65:1	65.30
W-26135	400ct	200ct	50	.4	.075	5	40	24	6	1.41:1	2.83:1	54.93
W-26140	400ct	400ct	100	.4	.075	5	40	48	12	1:1	2:1	65.30
W-26145	400ct	1000ct	250	.4	.075	5	40	120	30	1:1.58	1.26:1	74.87
W-26150	400ct	2000ct	500	.4	.075	5	40	240	60	1:2.24	1:1.12	74.87
W-26155	400ct	4000ct	1000	.4	.075	5	40	480	120	1:3.16	1:1.58	67.66
W-26160	500ct	12.8ct	3.2	.4	.075	4.5	50	1.5	.38	6.25:1	12.5:1	57.32
W-26165	500ct	16ct	4	.4	.075	4.5	50	2	.5	5.6:1	11.2:1	57.32
W-26170	500ct	50ct	12.5	.4	.075	4.5	50	6	1.5	3.16:1	6.32:1	57.32
W-26175	500ct	150ct	37.5	.4	.075	4.5	50	18	4.5	1.83:1	3.65:1	57.32
W-26180	500ct	500ct	125	.4	.075	4.5	50	60	15	1:1	2:1	57.32
W-26185	*500ct	500ct	-	.4	.075	4.5	50	60	-	1:1	-	57.32
W-26190	500ct	600ct	150	.4	.075	4.5	50	72	18	1:1.1	1.83:1	57.32
W-26195	600ct	12.8ct	3.2	.4	.075	4.1	60	1.5	.38	6.85:1	13.7:1	49.43
W-26200	600ct	30ct	7.5	.4	.075	4.1	60	3.6	.9	4.47:1	8.94:1	51.83
W-26205	600ct	48ct	12	.4	.075	4.1	60	5.8	1.45	3.54:1	7.07:1	51.83
W-26210	600ct	200ct	50	.4	.075	4.1	60	24	6	1.73:1	3.46:1	51.83
W-26215	600ct	600ct	150	.4	.075	4.1	60	72	18	1:1	2:1	51.83
W-26220	*600ct	600ct	-	.4	.075	4.1	60	72	-	1:1	-	57.32
W-26225	600ct	1200ct	300	.4	.075	4.1	60	144	36	1:1.41	1.41:1	51.83
W-26230	640ct	12.8ct	3.2	.4	.075	3.9	64	1.5	.38	7.07:1	14.14:1	51.83
W-26235	700ct	100ct	25	.4	.075	3.8	70	12	3	2.65:1	5.29:1	51.83
W-26240	800ct	12.8ct	3.2	.4	.075	3.5	80	1.5	.38	7.9:1	15.8:1	51.83
W-26245	800ct	48ct	12	.4	.075	3.5	80	5.8	1.45	4.08:1	8.16:1	57.32
W-26250	800ct	800ct	200	.4	.075	3.5	80	96	24	1:1	2:1	51.83
W-26255	900ct	600ct	150	.4	.075	3.3	90	72	18	1.22:1	2.45:1	51.83
W-26260	1000ct	12ct	3	.4	.075	3.2	100	1.5	.38	9.13:1	18.3:1	51.83
W-26265	1000ct	50ct	12.5	.4	.075	3.2	100	6	1.5	4.47:1	8.94:1	57.32
W-26270	1000ct	1000ct	250	.4	.075	3.2	100	120	30	1:1	2:1	57.32

**Ultra Miniature Transformers:  
W Series**

Pico Part Number W Series	Prim. Imped. Ohms	Sec. Imped. Ohms Split Windings		Power Watts		Prim. Unbal. DC Curr. ma	Prim. DC Resist. Ohms	Sec. DC Resist. Ohms		Turns Ratio Prim/Sec.		Prices 1-9 *** (US \$)
		SER	PAR	1 KHz and higher	400 Hz and higher			Ser Conn	Par Conn	Sec Ser Conn	Sec Par Conn	
W-26275	1060ct	12.8ct	3.2	.4	.075	3.1	106	1.5	.38	9.1:1	18.2:1	51.83
W-26280	1200ct	12.8ct	3.2	.4	.075	2.9	120	1.5	.38	9.68:1	19.4:1	46.67
W-26285	1200ct	500ct	125	.4	.075	2.9	120	60	15	1.55:1	3.1:1	46.67
W-26290	1200ct	1200ct	300	.4	.075	2.9	120	140	35	1:1	2:1	46.67
W-26295	*1200ct	1200ct	-	.4	.075	2.9	120	140	-	1:1	-	63.86
W-26300	1500ct	12ct	3	.4	.075	2.6	150	1.5	.38	11.2:1	22.4:1	51.83
W-26305	1500ct	500ct	125	.4	.075	2.6	150	60	15	1.73:1	3.46:1	57.33
W-26310	*1500ct	600ct	-	.4	.075	2.6	150	72	-	1.58:1	-	57.33
W-26315	*1500ct	1500ct	-	.4	.075	2.6	150	180	-	1:1	-	57.33
W-26320	1600ct	12.8ct	3.2	.4	.075	2.5	160	1.5	.38	11.2:1	22.4:1	51.83
W-26325	2000ct	8ct	2	.4	.075	2.2	200	1	.25	15.8:1	31.6:1	67.66
W-26330	2000ct	2000ct	500	.4	.075	2.2	200	240	60	1:1	2:1	67.66
W-26335	*2000ct	2000ct	-	.4	.075	2.2	200	240	-	1:1	-	74.87
W-26340	2000ct	8000ct	2000	.4	.075	2.2	200	960	240	1:2	1:1	67.66
W-26345	2500ct	2500ct	625	.4	.075	2	250	300	75	1:1	2:1	67.66
W-26350	3000ct	3000ct	725	.4	.075	1.8	300	360	90	1:1	2:1	55.06
W-26355	*3000ct	3000ct	-	.4	.075	1.8	300	360	-	1:1	-	74.87
W-26360	3600ct	3600ct	900	.4	.075	1.7	360	432	108	1:1	2:1	55.06
W-26365	4000ct	16ct	4	.4	.075	1.6	400	1.9	.47	15.8:1	31.6:1	67.66
W-26370	4000ct	600ct	150	.4	.075	1.6	400	72	18	2.58:1	5.16:1	67.66
W-26375	4000ct	1000ct	250	.4	.075	1.6	400	120	30	2:1	4:1	74.87
W-26380	*4000ct	8000ct	-	.4	.075	1.6	400	960	-	1:1.41	-	74.87
W-26385	5000ct	500ct	125	.4	.075	1.4	500	60	15	3.16:1	6.32:1	57.33
W-26390	5000ct	5000ct	1250	.4	.075	1.4	500	600	150	1:1	2:1	57.33
W-26395	7500ct	50ct	12.5	.33	.075	1.2	750	6	1.5	12.2:1	24.5:1	57.33
W-26400	7500ct	100ct	25	.33	.075	1.2	750	12	3	8.66:1	17.3:1	57.33
W-26405	7500ct	600ct	150	.33	.075	1.2	750	72	18	3.54:1	7.07:1	63.84
W-26410	7500ct	2500ct	625	.33	.075	1.2	750	300	75	1.73:1	3.46:1	63.84
W-26415	*7500ct	7500ct	-	.33	.075	1.2	750	900	-	1:1	-	74.87
W-26420	8000ct	12.8ct	3.2	.3	.075	1.1	800	1.5	.38	25:1	50:1	57.33
W-26425	8000ct	1000ct	250	.3	.075	1.1	800	120	30	2.83:1	5.66:1	63.84
W-26430	*8000ct	1200ct	-	.3	.075	1.1	800	144	-	2.58:1	-	74.87
W-26435	*9000ct	9000ct	-	.27	.075	1.1	900	1080	-	1:1	-	74.87
W-26440	10,000ct	12.8ct	3.2	.25	.075	1.0	1000	1.5	.38	28:1	56:1	51.83
W-26445	10,000ct	16ct	4	.25	.075	1.0	1000	1.92	.48	25:1	50:1	51.83
W-26450	10,000ct	100ct	25	.25	.075	1.0	1000	12	3	10:1	20:1	57.33
W-26455	10,000ct	200ct	50	.25	.075	1.0	1000	24	6	7.07:1	14.14:1	57.33
W-26460	10,000ct	500ct	125	.25	.075	1.0	1000	60	15	4.47:1	8.94:1	57.33
W-26465	10,000ct	600ct	150	.25	.075	1.0	1000	72	18	4.08:1	8.16:1	57.33
W-26470	10,000ct	1000ct	250	.25	.075	1.0	1000	120	30	3.16:1	6.32:1	57.33
W-26475	10,000ct	1200ct	300	.25	.075	1.0	1000	144	36	2.89:1	5.77:1	67.66
W-26480	10,000ct	1500ct	375	.25	.075	1.0	1000	180	45	2.58:1	5.16:1	67.66
W-26485	10,000ct	2000ct	500	.25	.075	1.0	1000	240	60	2.24:1	4.47:1	66.24
W-26490	10,000ct	5000ct	1250	.25	.075	1.0	1000	600	150	1.41:1	2.83:1	66.24
W-26495	10,000ct	7500ct	1875	.25	.075	1.0	1000	900	225	1.15:1	2.3:1	67.66
W-26500	10,000ct	10,000ct	2500	.25	.075	1.0	1000	1200	300	1:1	2:1	66.24
W-26505	*10,000ct	10,000ct	-	.25	.075	1.0	1000	1200	-	1:1	-	74.87
W-26510	15,000ct	400ct	100	.16	.075	.82	1500	48	12	6.12:1	12.24:1	65.30
W-26515	15,000ct	500ct	125	.16	.075	.82	1500	60	15	5.48:1	10.95:1	65.30
W-26520	15,000ct	600ct	150	.16	.075	.82	1500	72	18	5:1	10:1	65.30

## Ultra Miniature Transformers: W Series

Pico Part Number W Series	Prim. Imped. Ohms	Sec. Imped. Ohms Split Windings		Power Watts		Prim. Unbal. DC Curr. ma	Prim. DC Resist. Ohms	Sec. DC Resist. Ohms		Turns Ratio Prim/Sec.		Prices 1-9 *** (US \$)
		SER	PAR	1 KHz and higher	400 Hz and higher			Ser Conn	Par Conn	Sec Ser Conn	Sec Par Conn	
W-26525	15,000ct	10,000ct	2500	.16	.075	.82	1500	1200	300	1.22:1	2.45:1	65.30
W-26530	*15,000ct	15,000ct	-	.16	.075	.82	1500	1800	-	1:1	-	74.87
W-26535	15,000ct	15,000ct	3750	.16	.075	.82	1500	1800	450	1:1	2:1	67.42
W-26540	16,000ct	1000ct	250	.15	.075	.8	1600	120	30	4:1	8:1	67.42
W-26545	20,000ct	500ct	125	.125	.075	.7	2000	60	15	6.33:1	12.65:1	65.30
W-26550	20,000ct	600ct	150	.125	.075	.7	2000	72	18	5.77:1	11.55:1	65.30
W-26555	20,000ct	800ct	200	.125	.075	.7	2000	96	24	5:1	10:1	59.70
W-26560	20,000ct	1000ct	250	.125	.075	.7	2000	120	30	4.47:1	8.94:1	74.87
W-26565	20,000ct	5000ct	1250	.125	.075	.7	2000	600	150	2:1	4:1	65.30
W-26570	20,000ct	10,000ct	2500	.125	.075	.7	2000	1200	300	1.41:1	2.83:1	65.30
W-26575	*20,000ct	20,000ct	-	.125	.075	.7	2000	2400	-	1:1	-	74.87
W-26580	25,000ct	500ct	125	.1	.075	.63	2500	60	15	7.07:1	14.14:1	67.66
W-26585	25,000ct	1000ct	250	.1	.075	.63	2500	120	30	5:1	10:1	67.66
W-26590	30,000ct	50ct	12.5	.083	.075	.58	3000	6	1.5	24.5:1	49:1	67.66
W-26595	30,000ct	1200ct	300	.083	.075	.58	3000	144	36	5:1	10:1	67.66
W-26600	30,000ct	500ct	125	.083	.075	.58	3000	60	15	7.75:1	15.5:1	67.66
W-26605	30,000ct	200ct	50	.083	.075	.58	3000	24	6	12.25:1	24.5:1	67.66
W-26610	30,000ct	5000ct	1250	.083	.075	.58	3000	600	150	2.45:1	4.9:1	67.66
W-26615	30,000ct	10,000ct	2500	.083	.075	.58	3000	1200	300	1.73:1	3.46:1	67.66
W-26620	*30,000ct	30,000ct	-	.083	.075	.58	3000	3600	-	1:1	-	74.87
W-26625	40,000ct	400ct	100	.062	.062	.5	4000	48	12	10:1	20:1	74.87
W-SHIELD: MU-METAL SHIELD .37" d x .32" h (9.4 mm d x 8.1 mm h) SINGLE SHIELD												8.95
WXX-SHIELD: MU-METAL SHIELD .395" d x .33" h (10 mm d x 8.4 mm h) USE WITH W-SHIELD FOR DOUBLE SHIELDING												8.95

\* Includes Electrostatic Shield

\*\*Discount Prices:

- 1-9 Net;
- 10-24 less 10%;
- 25-49 less 16%;
- 50-99 less 23%;
- 100-499 less 30%

Ordering Instructions:

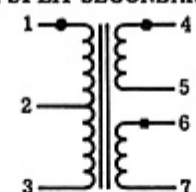
- No minimum.
- Net 30 days F.O.B. Pelham, NY
- **Delivery--stock to one week for sample orders.**

[Click Here For Surface Mount Version of W Series \[2\]](#)

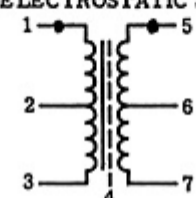
### FEATURES

- Extreme resistance to thermal shock
- Ultra miniature size
- PICO is approved QPL Source (Mil-PRF-27)
- Magnetic Shields available
- Electrostatic shielding can be added
- Variation of standard designs available
- Special production techniques ensure uniform size and leads which are free of encapsulant. No meniscus in lead area.
- Every unit can be made with a 300 thermal cycle guarantee using PICO's special SR construction. Contact factory for details.

SCHMATIC FOR TRANSFORMERS WITH SPLIT SECONDARIES



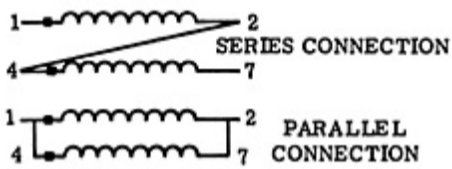
SCHMATIC FOR TRANSFORMERS WITH ELECTROSTATIC SHIELD



# INDUCTORS

PART NUMBERS	INDUCTANCE SERIES	DC CURRENT ma	DC RESISTANCE OHMS
W-26705	SERIES 0.1 .08	4 10	25 6.5
	PARALLEL .025 .02	8 20	
W-26710	SERIES 0.9 0.5	2 6	105 26
	PARALLEL .23 .13	4 12	
W-26715	SERIES 2.5 0.9	2 4	630 160
	PARALLEL 0.6 0.23	4 8	
W-26720	SERIES 4.5 1.2	2 4	2300 575
	PARALLEL 1.1 0.3	4 8	

**SCHEMATIC FOR INDUCTORS**



**Inductors:** All inductors have split windings and measurements are listed for both series and parallel connections. Two values of inductance, each at a particular value of DC Current, are listed for each inductor.

**Delivery - stock to one week for sample orders.**

For immediate engineering assistance or to place an order:

**Call Toll Free: 800-431-1064**

**PICO Electronics, Inc.**

143 Sparks Ave. Pelham, NY 10803-1810

Tel: 914-738-1400 or Fax: 914-738-8225

[Go back to Thru Hole Transformers and Inductors menu<sup>\[3\]</sup>](#)