

DATA SHEET



PCF8574

Remote 8-bit I/O expander for
I²C-bus

Product specification
Supersedes data of 2002 Jul 29

2002 Nov 22

Remote 8-bit I/O expander for I²C-bus**PCF8574**

CONTENTS

1	FEATURES
2	GENERAL DESCRIPTION
3	ORDERING INFORMATION
4	BLOCK DIAGRAM
5	PINNING
5.1	DIP16 and SO16 packages
5.2	SSOP20 package
6	CHARACTERISTICS OF THE I ² C-BUS
6.1	Bit transfer
6.2	Start and stop conditions
6.3	System configuration
6.4	Acknowledge
7	FUNCTIONAL DESCRIPTION
7.1	Addressing
7.2	Interrupt output
7.3	Quasi-bidirectional I/Os
8	LIMITING VALUES
9	HANDLING
10	DC CHARACTERISTICS
11	I ² C-BUS TIMING CHARACTERISTICS
12	PACKAGE OUTLINES
13	SOLDERING
13.1	Introduction
13.2	Through-hole mount packages
13.2.1	Soldering by dipping or by solder wave
13.2.2	Manual soldering
13.3	Surface mount packages
13.3.1	Reflow soldering
13.3.2	Wave soldering
13.3.3	Manual soldering
13.4	Suitability of IC packages for wave, reflow and dipping soldering methods
14	DATA SHEET STATUS
15	DEFINITIONS
16	DISCLAIMERS
17	PURCHASE OF PHILIPS I ² C COMPONENTS

Remote 8-bit I/O expander for I²C-bus

PCF8574

1 FEATURES

- Operating supply voltage 2.5 to 6 V
- Low standby current consumption of 10 μ A maximum
- I²C-bus to parallel port expander
- Open-drain interrupt output
- 8-bit remote I/O port for the I²C-bus
- Compatible with most microcontrollers
- Latched outputs with high current drive capability for directly driving LEDs
- Address by 3 hardware address pins for use of up to 8 devices (up to 16 with PCF8574A)
- DIP16, or space-saving SO16 or SSOP20 packages.



The device consists of an 8-bit quasi-bidirectional port and an I²C-bus interface. The PCF8574 has a low current consumption and includes latched outputs with high current drive capability for directly driving LEDs. It also possesses an interrupt line (INT) which can be connected to the interrupt logic of the microcontroller. By sending an interrupt signal on this line, the remote I/O can inform the microcontroller if there is incoming data on its ports without having to communicate via the I²C-bus. This means that the PCF8574 can remain a simple slave device.

2 GENERAL DESCRIPTION

The PCF8574 is a silicon CMOS circuit. It provides general purpose remote I/O expansion for most microcontroller families via the two-line bidirectional bus (I²C-bus).

The PCF8574 and PCF8574A versions differ only in their slave address as shown in Fig.10.

3 ORDERING INFORMATION

TYPE NUMBER	PACKAGE		
	NAME	DESCRIPTION	VERSION
PCF8574P; PCF8574AP	DIP16	plastic dual in-line package; 16 leads (300 mil)	SOT38-4
PCF8574T; PCF8574AT	SO16	plastic small outline package; 16 leads; body width 7.5 mm	SOT162-1
PCF8574TS; PCF8574ATS	SSOP20	plastic shrink small outline package; 20 leads; body width 4.4 mm	SOT266-1

Remote 8-bit I/O expander for I²C-bus

PCF8574

4 BLOCK DIAGRAM

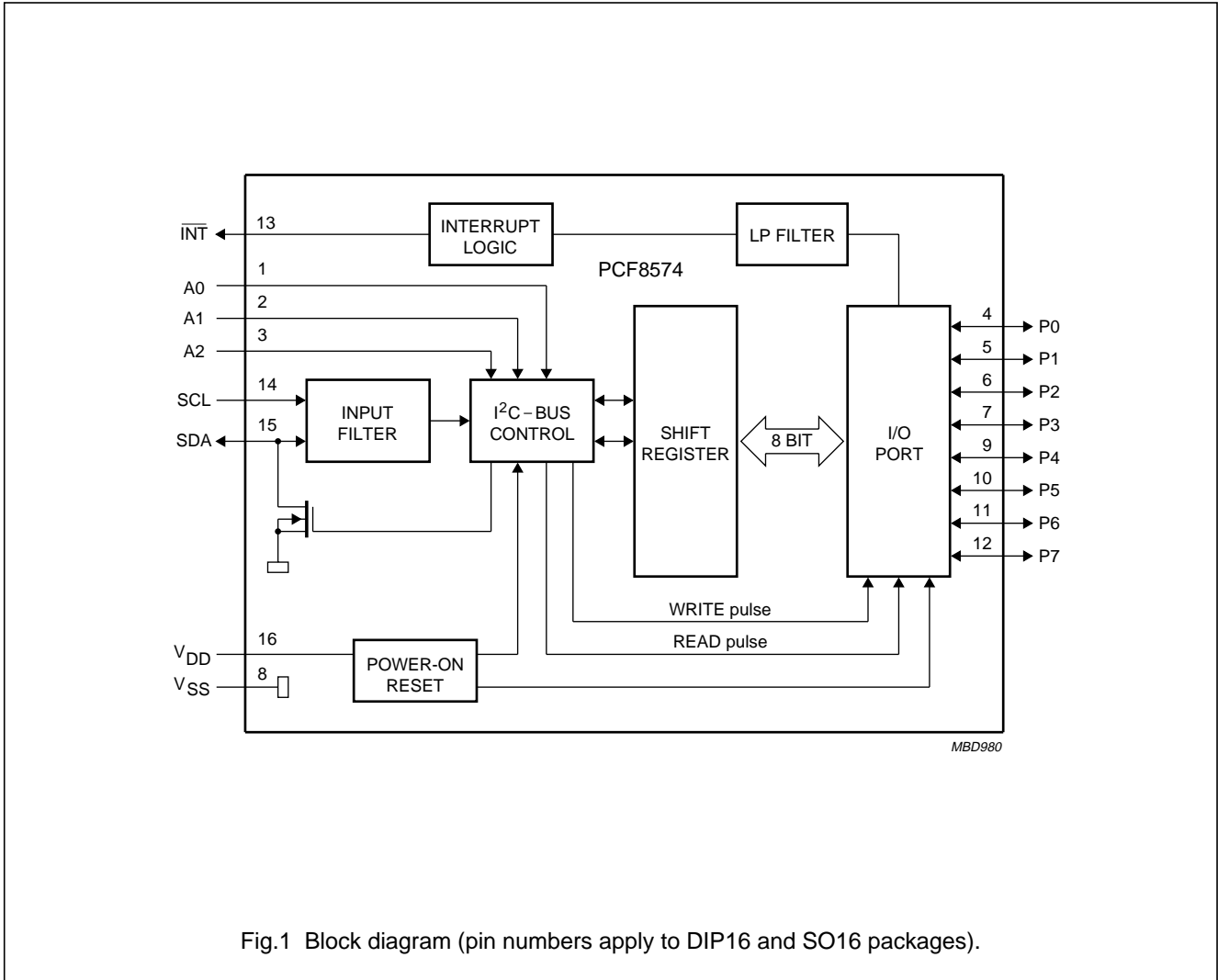


Fig.1 Block diagram (pin numbers apply to DIP16 and SO16 packages).

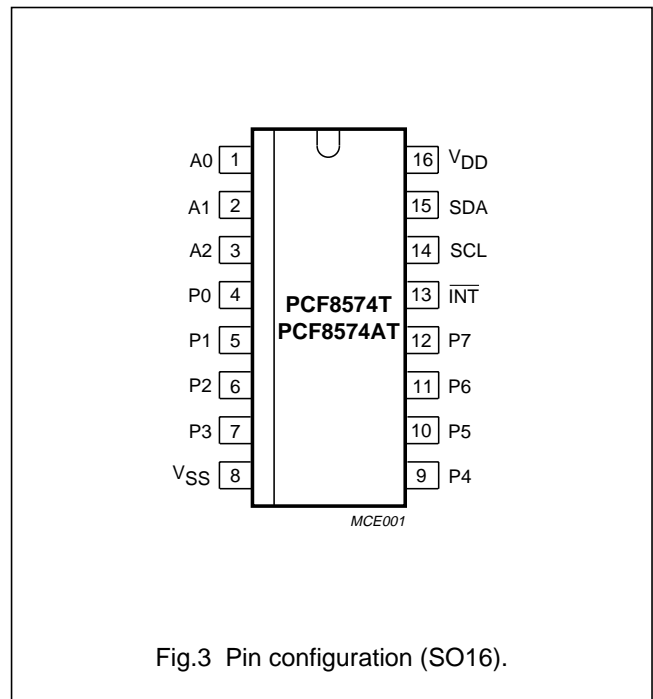
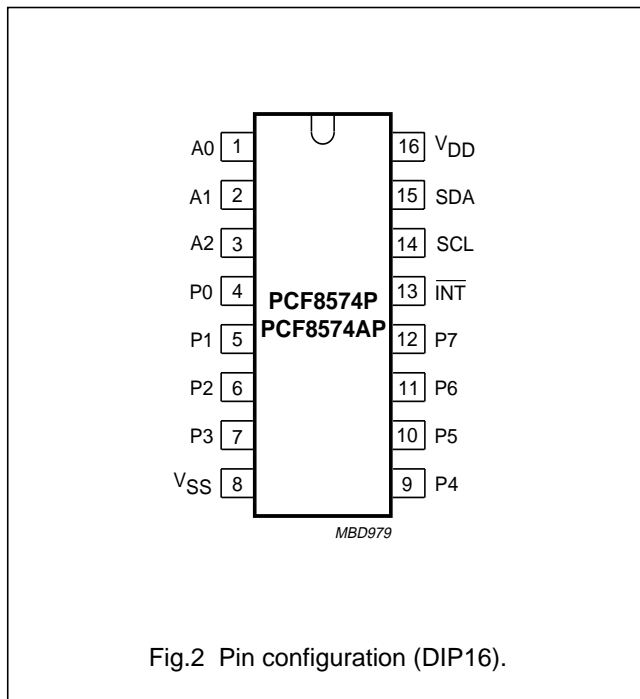
Remote 8-bit I/O expander for I²C-bus

PCF8574

5 PINNING

5.1 DIP16 and SO16 packages

SYMBOL	PIN	DESCRIPTION
A0	1	address input 0
A1	2	address input 1
A2	3	address input 2
P0	4	quasi-bidirectional I/O 0
P1	5	quasi-bidirectional I/O 1
P2	6	quasi-bidirectional I/O 2
P3	7	quasi-bidirectional I/O 3
V _{SS}	8	supply ground
P4	9	quasi-bidirectional I/O 4
P5	10	quasi-bidirectional I/O 5
P6	11	quasi-bidirectional I/O 6
P7	12	quasi-bidirectional I/O 7
INT $\bar{}$	13	interrupt output (active LOW)
SCL	14	serial clock line
SDA	15	serial data line
V _{DD}	16	supply voltage

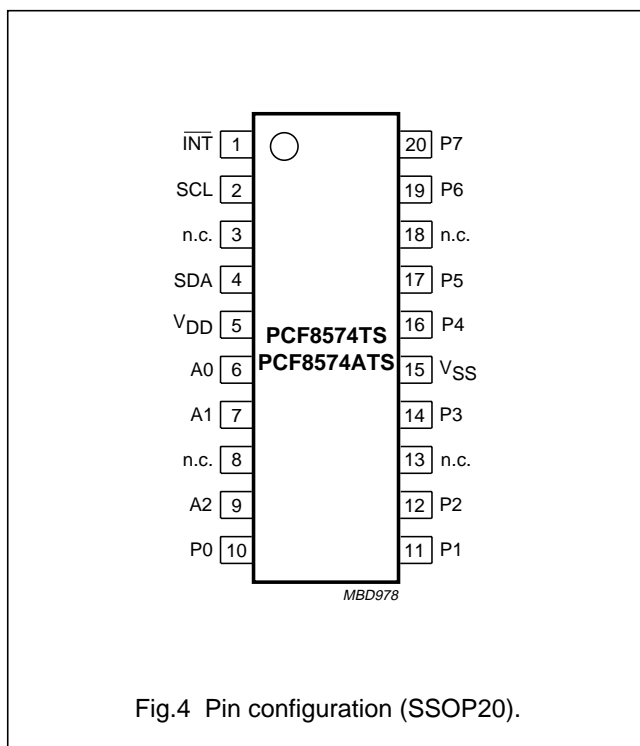


Remote 8-bit I/O expander for I²C-bus

PCF8574

5.2 SSOP20 package

SYMBOL	PIN	DESCRIPTION
$\overline{\text{INT}}$	1	interrupt output (active LOW)
SCL	2	serial clock line
n.c.	3	not connected
SDA	4	serial data line
V _{DD}	5	supply voltage
A0	6	address input 0
A1	7	address input 1
n.c.	8	not connected
A2	9	address input 2
P0	10	quasi-bidirectional I/O 0
P1	11	quasi-bidirectional I/O 1
P2	12	quasi-bidirectional I/O 2
n.c.	13	not connected
P3	14	quasi-bidirectional I/O 3
V _{SS}	15	supply ground
P4	16	quasi-bidirectional I/O 4
P5	17	quasi-bidirectional I/O 5
n.c.	18	not connected
P6	19	quasi-bidirectional I/O 6
P7	20	quasi-bidirectional I/O 7



Remote 8-bit I/O expander for I²C-bus

PCF8574

6 CHARACTERISTICS OF THE I²C-BUS

The I²C-bus is for 2-way, 2-line communication between different ICs or modules. The two lines are a serial data line (SDA) and a serial clock line (SCL). Both lines must be connected to a positive supply via a pull-up resistor when connected to the output stages of a device. Data transfer may be initiated only when the bus is not busy.

6.1 Bit transfer

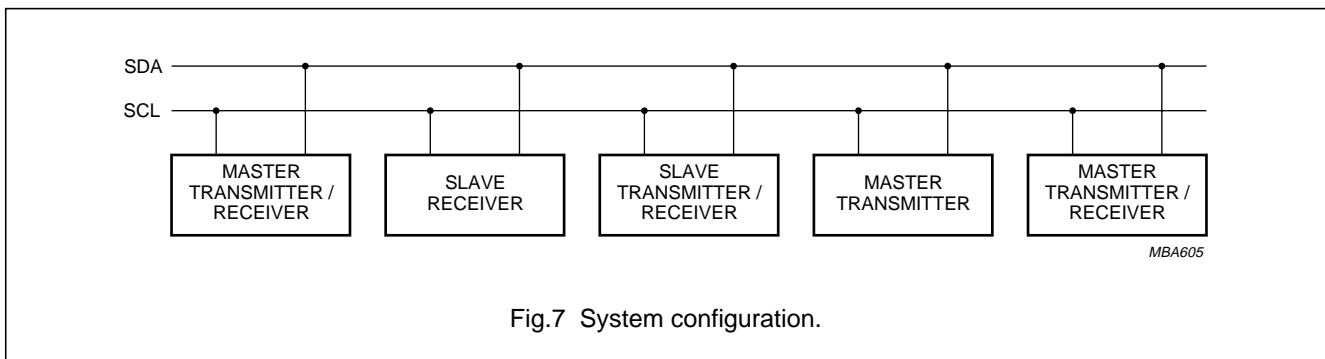
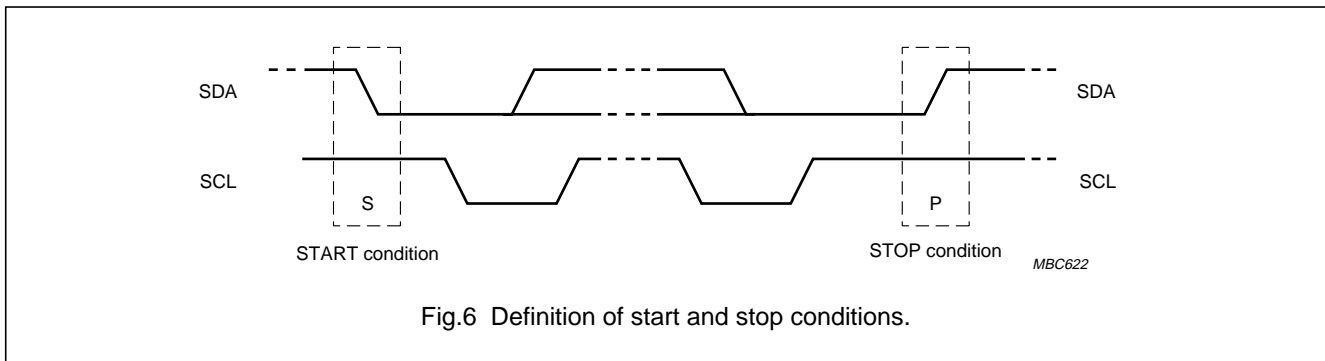
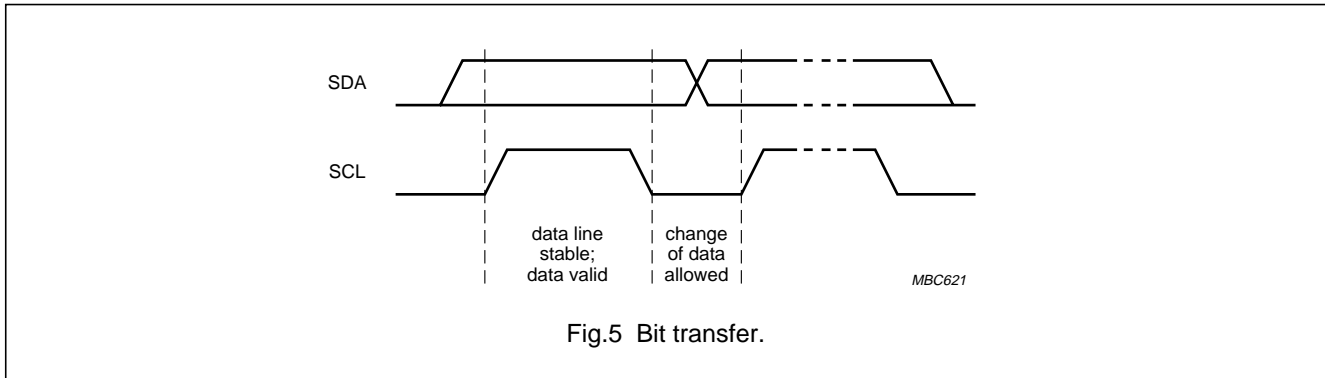
One data bit is transferred during each clock pulse. The data on the SDA line must remain stable during the HIGH period of the clock pulse as changes in the data line at this time will be interpreted as control signals (see Fig.5).

6.2 Start and stop conditions

Both data and clock lines remain HIGH when the bus is not busy. A HIGH-to-LOW transition of the data line, while the clock is HIGH is defined as the start condition (S). A LOW-to-HIGH transition of the data line while the clock is HIGH is defined as the stop condition (P) (see Fig.6).

6.3 System configuration

A device generating a message is a 'transmitter', a device receiving is the 'receiver'. The device that controls the message is the 'master' and the devices which are controlled by the master are the 'slaves' (see Fig.7).



Remote 8-bit I/O expander for I²C-bus

PCF8574

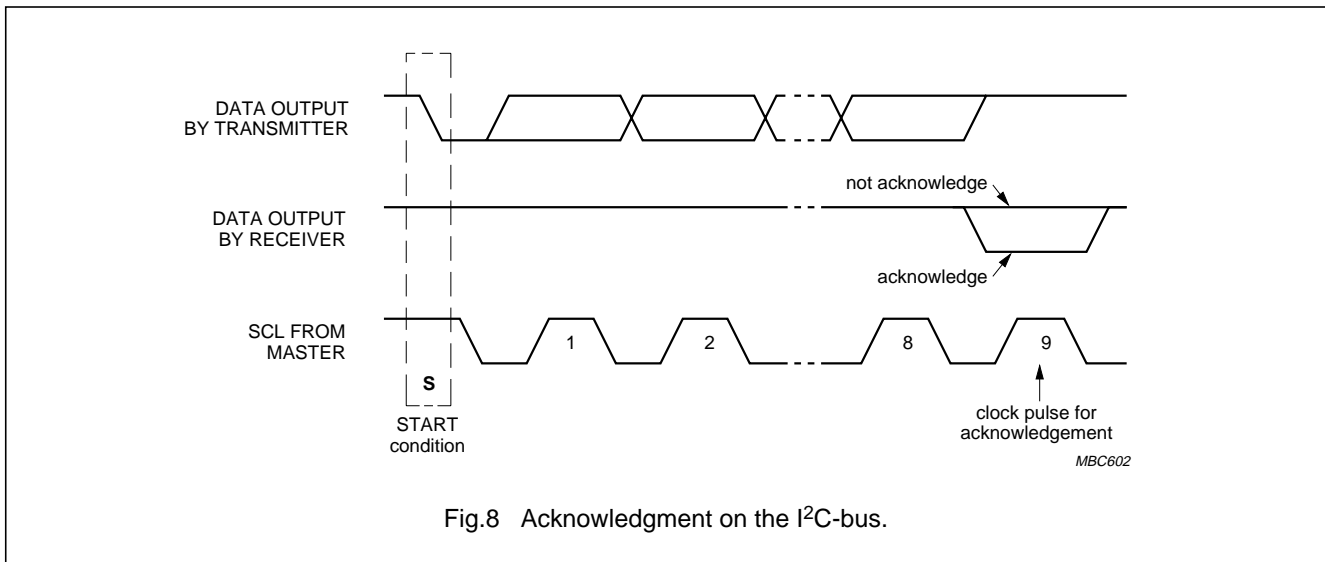
6.4 Acknowledge

The number of data bytes transferred between the start and the stop conditions from transmitter to receiver is not limited. Each byte of eight bits is followed by one acknowledge bit (see Fig.8). The acknowledge bit is a HIGH level put on the bus by the transmitter whereas the master generates an extra acknowledge related clock pulse.

A slave receiver which is addressed must generate an acknowledge after the reception of each byte. Also a master must generate an acknowledge after the reception

of each byte that has been clocked out of the slave transmitter. The device that acknowledges has to pull down the SDA line during the acknowledge clock pulse, so that the SDA line is stable LOW during the HIGH period of the acknowledge related clock pulse, set-up and hold times must be taken into account.

A master receiver must signal an end of data to the transmitter by **not** generating an acknowledge on the last byte that has been clocked out of the slave. In this event the transmitter must leave the data line HIGH to enable the master to generate a stop condition.



Remote 8-bit I/O expander for I²C-bus

PCF8574

7 FUNCTIONAL DESCRIPTION

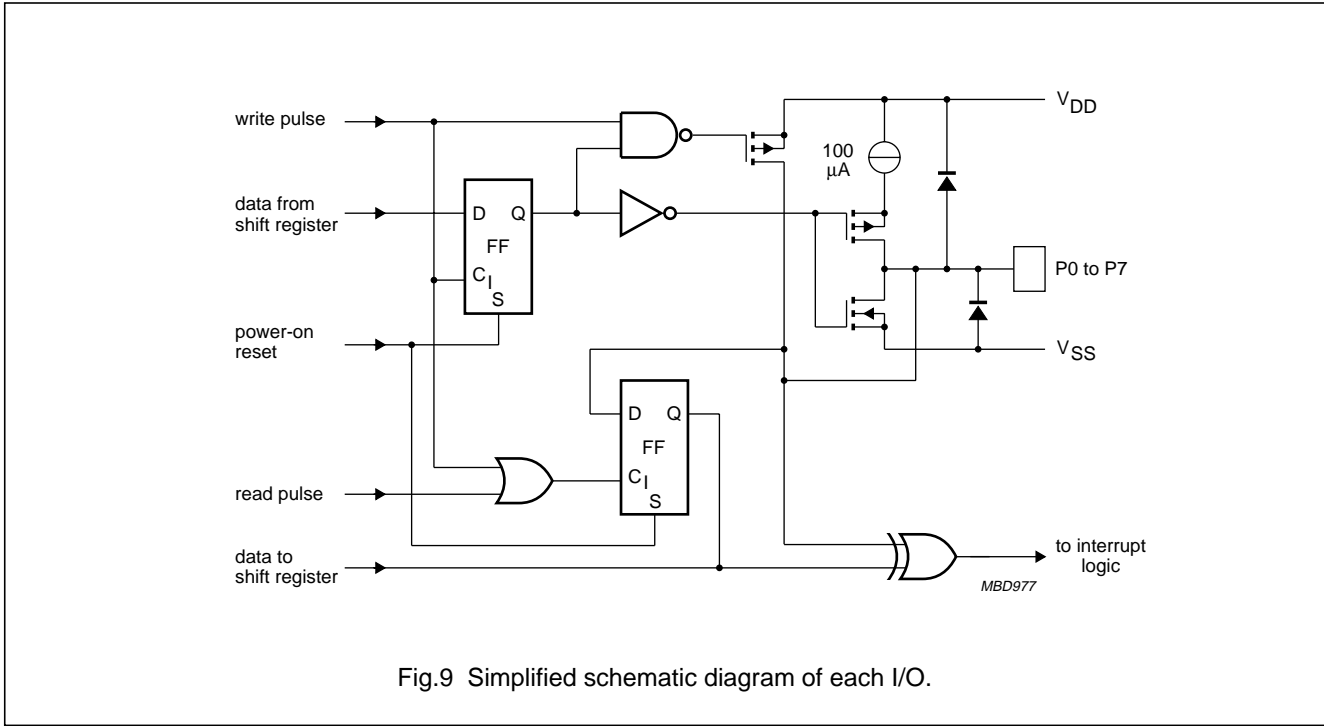


Fig.9 Simplified schematic diagram of each I/O.

7.1 Addressing

For addressing see Figs 10, 11 and 12.

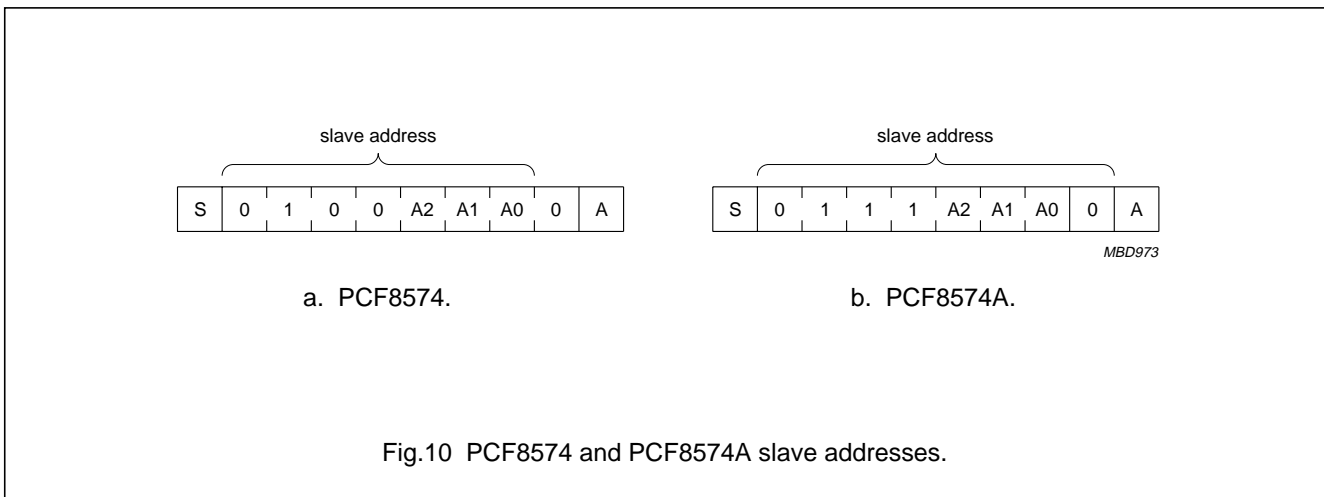


Fig.10 PCF8574 and PCF8574A slave addresses.

Each of the PCF8574's eight I/Os can be independently used as an input or output. Input data is transferred from the port to the microcontroller by the READ mode (see Fig.12). Output data is transmitted to the port by the WRITE mode (see Fig.11).

Remote 8-bit I/O expander for I²C-bus

PCF8574

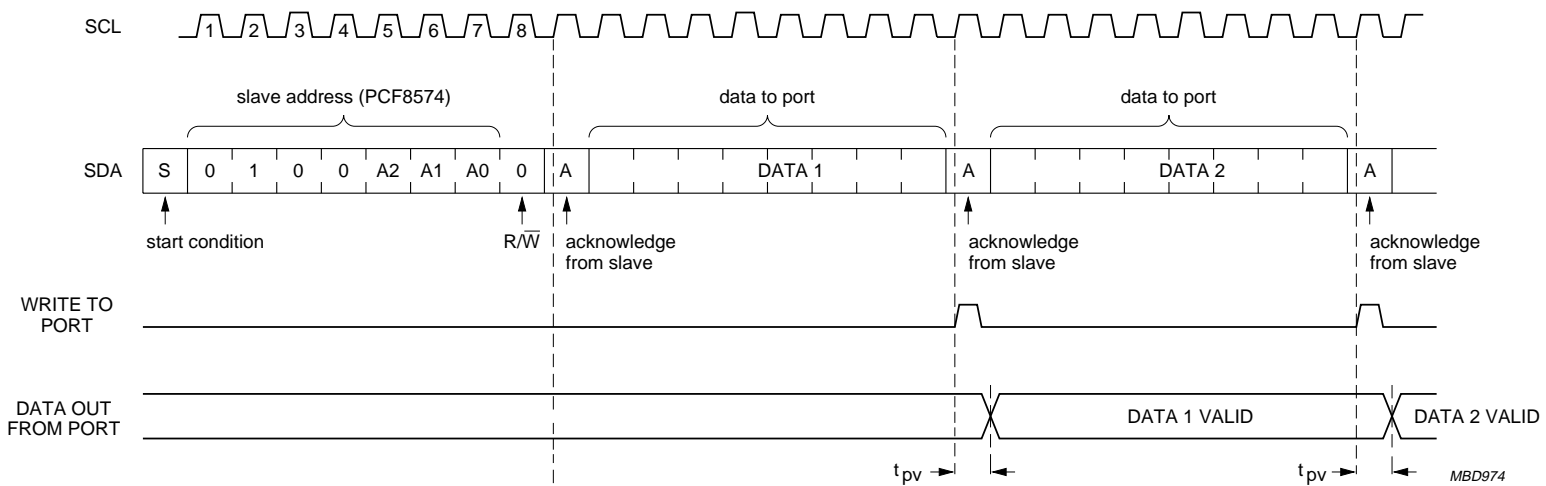
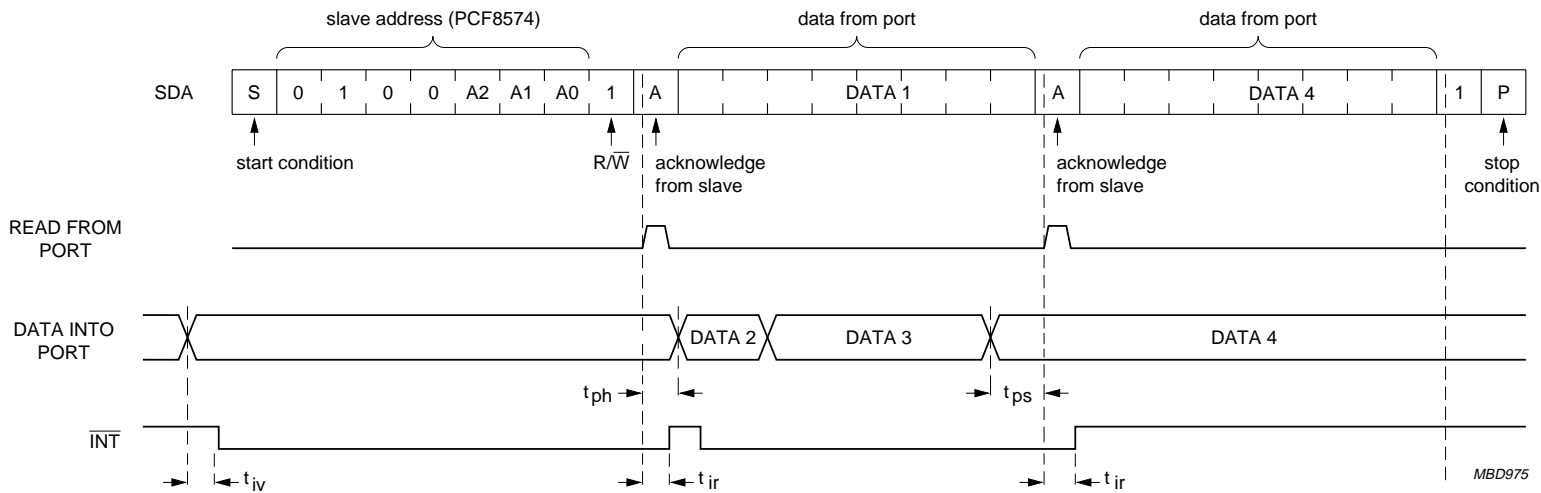


Fig.11 WRITE mode (output).

Remote 8-bit I/O expander for I²C-bus

PCF8574



A LOW-to-HIGH transition of SDA, while SCL is HIGH is defined as the stop condition (P). Transfer of data can be stopped at any moment by a stop condition. When this occurs, data present at the last acknowledge phase is valid (output mode). Input data is lost.

Fig.12 READ mode (input).

MBD975

Remote 8-bit I/O expander for I²C-bus

PCF8574

7.2 Interrupt output

The PCF8574 provides an open-drain output ($\overline{\text{INT}}$) which can be fed to a corresponding input of the microcontroller (see Figs 13 and 14). This gives these chips a type of master function which can initiate an action elsewhere in the system.

An interrupt is generated by any rising or falling edge of the port inputs in the input mode. After time t_{iv} the signal $\overline{\text{INT}}$ is valid.

Resetting and reactivating the interrupt circuit is achieved when data on the port is changed to the original setting or data is read from or written to the port which has generated the interrupt.

Resetting occurs as follows:

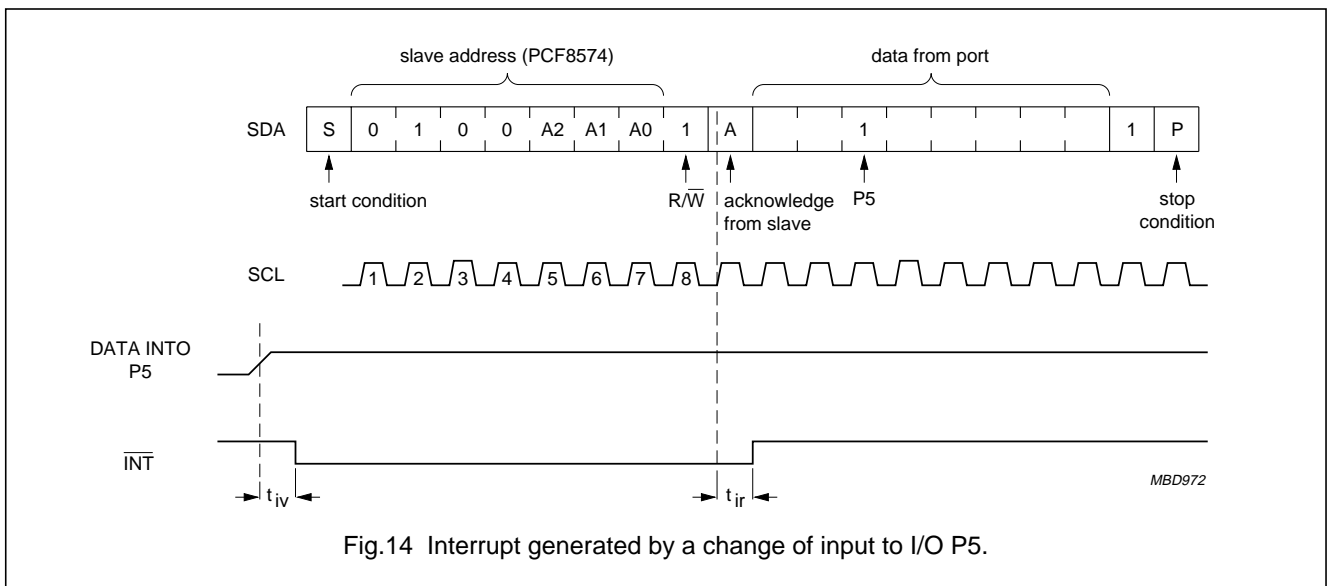
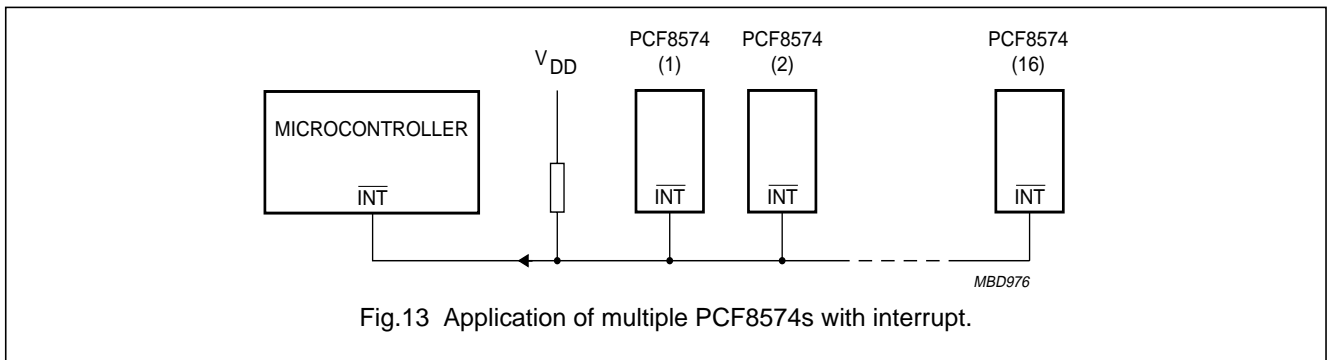
- In the READ mode at the acknowledge bit after the rising edge of the SCL signal
- In the WRITE mode at the acknowledge bit after the HIGH-to-LOW transition of the SCL signal

- Interrupts which occur during the acknowledge clock pulse may be lost (or very short) due to the resetting of the interrupt during this pulse.

Each change of the I/Os after resetting will be detected and, after the next rising clock edge, will be transmitted as $\overline{\text{INT}}$. Reading from or writing to another device does not affect the interrupt circuit.

7.3 Quasi-bidirectional I/Os

A quasi-bidirectional I/O can be used as an input or output without the use of a control signal for data direction (see Fig. 15). At power-on the I/Os are HIGH. In this mode only a current source to V_{DD} is active. An additional strong pull-up to V_{DD} allows fast rising edges into heavily loaded outputs. These devices turn on when an output is written HIGH, and are switched off by the negative edge of SCL. The I/Os should be HIGH before being used as inputs.



Remote 8-bit I/O expander for I²C-bus

PCF8574

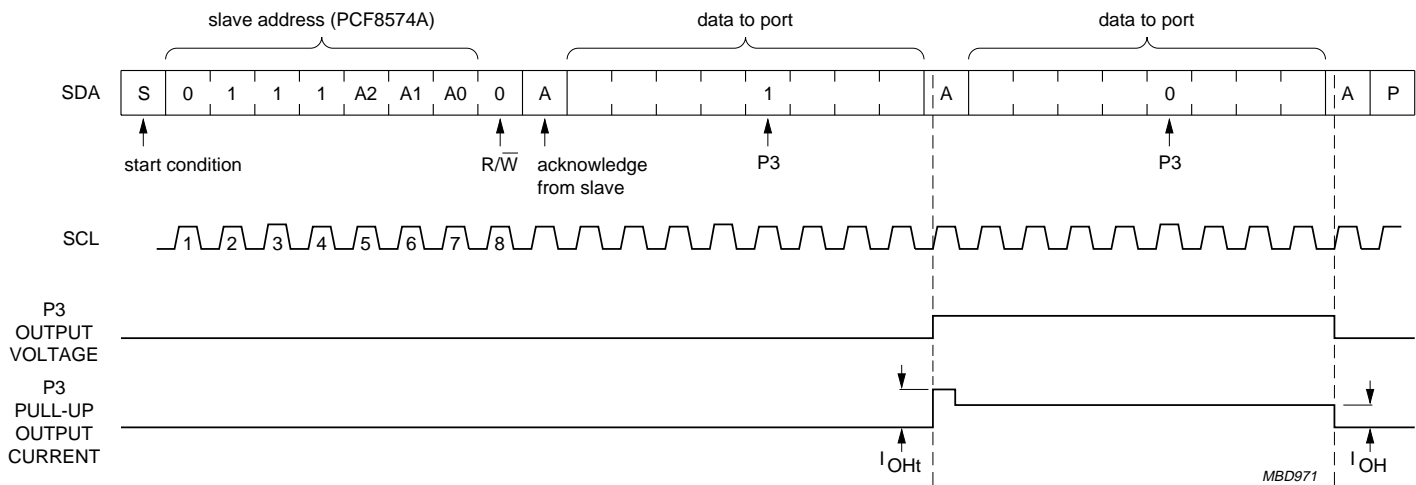


Fig.15 Transient pull-up current I_{OHt} while P3 changes from LOW-to-HIGH and back to LOW.

Remote 8-bit I/O expander for I²C-bus

PCF8574

8 LIMITING VALUES

In accordance with the Absolute Maximum Rating System (IEC 60134).

SYMBOL	PARAMETER	MIN.	MAX.	UNIT
V _{DD}	supply voltage	-0.5	+7.0	V
V _I	input voltage	V _{SS} - 0.5	V _{DD} + 0.5	V
I _I	DC input current	-	±20	mA
I _O	DC output current	-	±25	mA
I _{DD}	supply current	-	±100	mA
I _{SS}	supply current	-	±100	mA
P _{tot}	total power dissipation	-	400	mW
P _O	power dissipation per output	-	100	mW
T _{stg}	storage temperature	-65	+150	°C
T _{amb}	ambient temperature	-40	+85	°C

9 HANDLING

Inputs and outputs are protected against electrostatic discharge in normal handling. However it is good practice to take normal precautions appropriate to handling MOS devices (see "Handling MOS devices").

10 DC CHARACTERISTICS

V_{DD} = 2.5 to 6 V; V_{SS} = 0 V; T_{amb} = -40 to +85 °C; unless otherwise specified.

SYMBOL	PARAMETER	CONDITIONS	MIN.	TYP.	MAX.	UNIT
Supply						
V _{DD}	supply voltage		2.5	-	6.0	V
I _{DD}	supply current	operating mode; V _{DD} = 6 V; no load; V _I = V _{DD} or V _{SS} ; f _{SCL} = 100 kHz	-	40	100	µA
I _{stb}	standby current	standby mode; V _{DD} = 6 V; no load; V _I = V _{DD} or V _{SS}	-	2.5	10	µA
V _{POR}	Power-on reset voltage	V _{DD} = 6 V; no load; V _I = V _{DD} or V _{SS} ; note 1	-	1.3	2.4	V
Input SCL; input/output SDA						
V _{IL}	LOW level input voltage		-0.5	-	+0.3V _{DD}	V
V _{IH}	HIGH level input voltage		0.7V _{DD}	-	V _{DD} + 0.5	V
I _{OL}	LOW level output current	V _{OL} = 0.4 V	3	-	-	mA
I _L	leakage current	V _I = V _{DD} or V _{SS}	-1	-	+1	µA
C _i	input capacitance	V _I = V _{SS}	-	-	7	pF

Remote 8-bit I/O expander for I²C-bus

PCF8574

SYMBOL	PARAMETER	CONDITIONS	MIN.	TYP.	MAX.	UNIT
I/Os						
V _{IL}	LOW level input voltage		-0.5	-	+0.3V _{DD}	V
V _{IH}	HIGH level input voltage		0.7V _{DD}	-	V _{DD} + 0.5	V
I _{IHL(max)}	maximum allowed input current through protection diode	V _I ≥ V _{DD} or V _I ≤ V _{SS}	-	-	±400	μA
I _{OL}	LOW level output current	V _{OL} = 1 V; V _{DD} = 5 V	10	25	-	mA
I _{OH}	HIGH level output current	V _{OH} = V _{SS}	30	-	300	μA
I _{OHt}	transient pull-up current	HIGH during acknowledge (see Fig.15); V _{OH} = V _{SS} ; V _{DD} = 2.5 V	-	-1	-	mA
C _i	input capacitance		-	-	10	pF
C _o	output capacitance		-	-	10	pF
Port timing; C_L ≤ 100 pF (see Figs 11 and 12)						
t _{pv}	output data valid		-	-	4	μs
t _{su}	input data set-up time		0	-	-	μs
t _h	input data hold time		4	-	-	μs
Interrupt INT (see Fig.14)						
I _{OL}	LOW level output current	V _{OL} = 0.4 V	1.6	-	-	mA
I _L	leakage current	V _I = V _{DD} or V _{SS}	-1	-	+1	μA
TIMING; C_L ≤ 100 pF						
t _{iv}	input data valid time		-	-	4	μs
t _{ir}	reset delay time		-	-	4	μs
Select inputs A0 to A2						
V _{IL}	LOW level input voltage		-0.5	-	+0.3V _{DD}	V
V _{IH}	HIGH level input voltage		0.7V _{DD}	-	V _{DD} + 0.5	V
I _{LI}	input leakage current	pin at V _{DD} or V _{SS}	-250	-	+250	nA

Note

1. The Power-on reset circuit resets the I²C-bus logic at V_{DD} < V_{POR} and sets all I/Os to logic 1 (with current source to V_{DD}).

Remote 8-bit I/O expander for I²C-bus

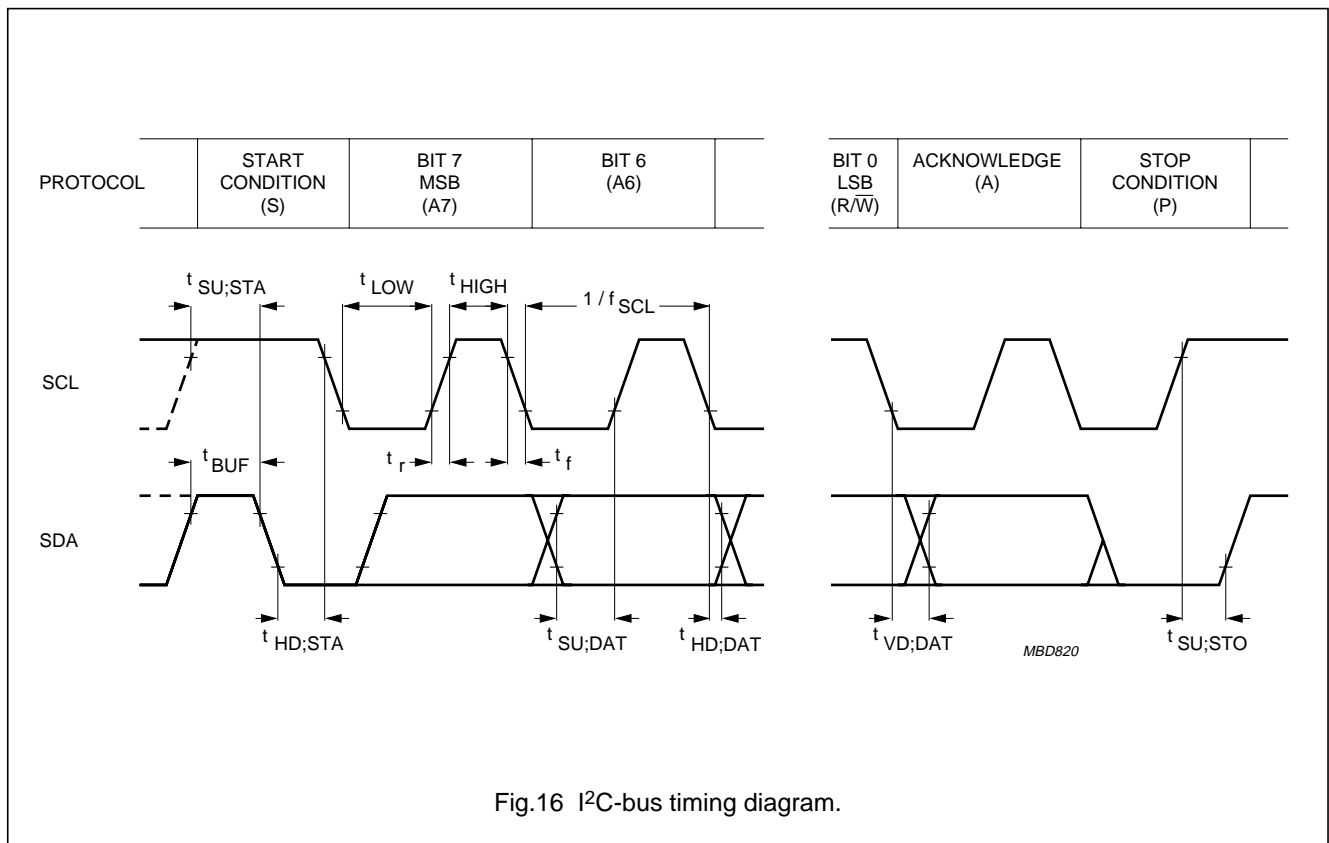
PCF8574

11 I²C-BUS TIMING CHARACTERISTICS

SYMBOL	PARAMETER	MIN.	TYP.	MAX.	UNIT
I²C-bus timing (see Fig.16; note 1)					
f _{SCL}	SCL clock frequency	–	–	100	kHz
t _{SW}	tolerable spike width on bus	–	–	100	ns
t _{BUF}	bus free time	4.7	–	–	μs
t _{SU;STA}	START condition set-up time	4.7	–	–	μs
t _{HD;STA}	START condition hold time	4.0	–	–	μs
t _{LOW}	SCL LOW time	4.7	–	–	μs
t _{HIGH}	SCL HIGH time	4.0	–	–	μs
t _r	SCL and SDA rise time	–	–	1.0	μs
t _f	SCL and SDA fall time	–	–	0.3	μs
t _{SU;DAT}	data set-up time	250	–	–	ns
t _{HD;DAT}	data hold time	0	–	–	ns
t _{VD;DAT}	SCL LOW to data out valid	–	–	3.4	μs
t _{SU;STO}	STOP condition set-up time	4.0	–	–	μs

Note

1. All the timing values are valid within the operating supply voltage and ambient temperature range and refer to V_{IL} and V_{IH} with an input voltage swing of V_{SS} to V_{DD}.



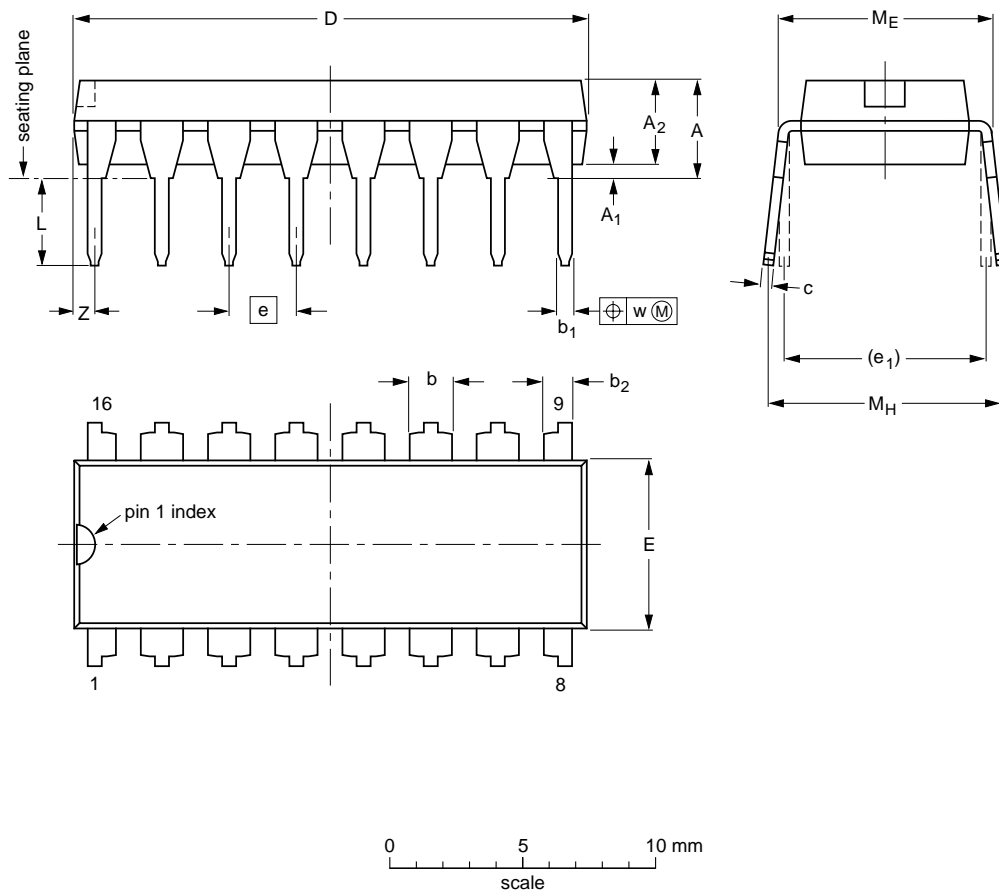
Remote 8-bit I/O expander for I²C-bus

PCF8574

12 PACKAGE OUTLINES

DIP16: plastic dual in-line package; 16 leads (300 mil)

SOT38-4



DIMENSIONS (inch dimensions are derived from the original mm dimensions)

UNIT	A max.	A ₁ min.	A ₂ max.	b	b ₁	b ₂	c	D ⁽¹⁾	E ⁽¹⁾	e	e ₁	L	M _E	M _H	w	Z ⁽¹⁾ max.
mm	4.2	0.51	3.2	1.73 1.30	0.53 0.38	1.25 0.85	0.36 0.23	19.50 18.55	6.48 6.20	2.54	7.62	3.60 3.05	8.25 7.80	10.0 8.3	0.254	0.76
inches	0.17	0.020	0.13	0.068 0.051	0.021 0.015	0.049 0.033	0.014 0.009	0.77 0.73	0.26 0.24	0.10	0.30	0.14 0.12	0.32 0.31	0.39 0.33	0.01	0.030

Note

1. Plastic or metal protrusions of 0.25 mm maximum per side are not included.

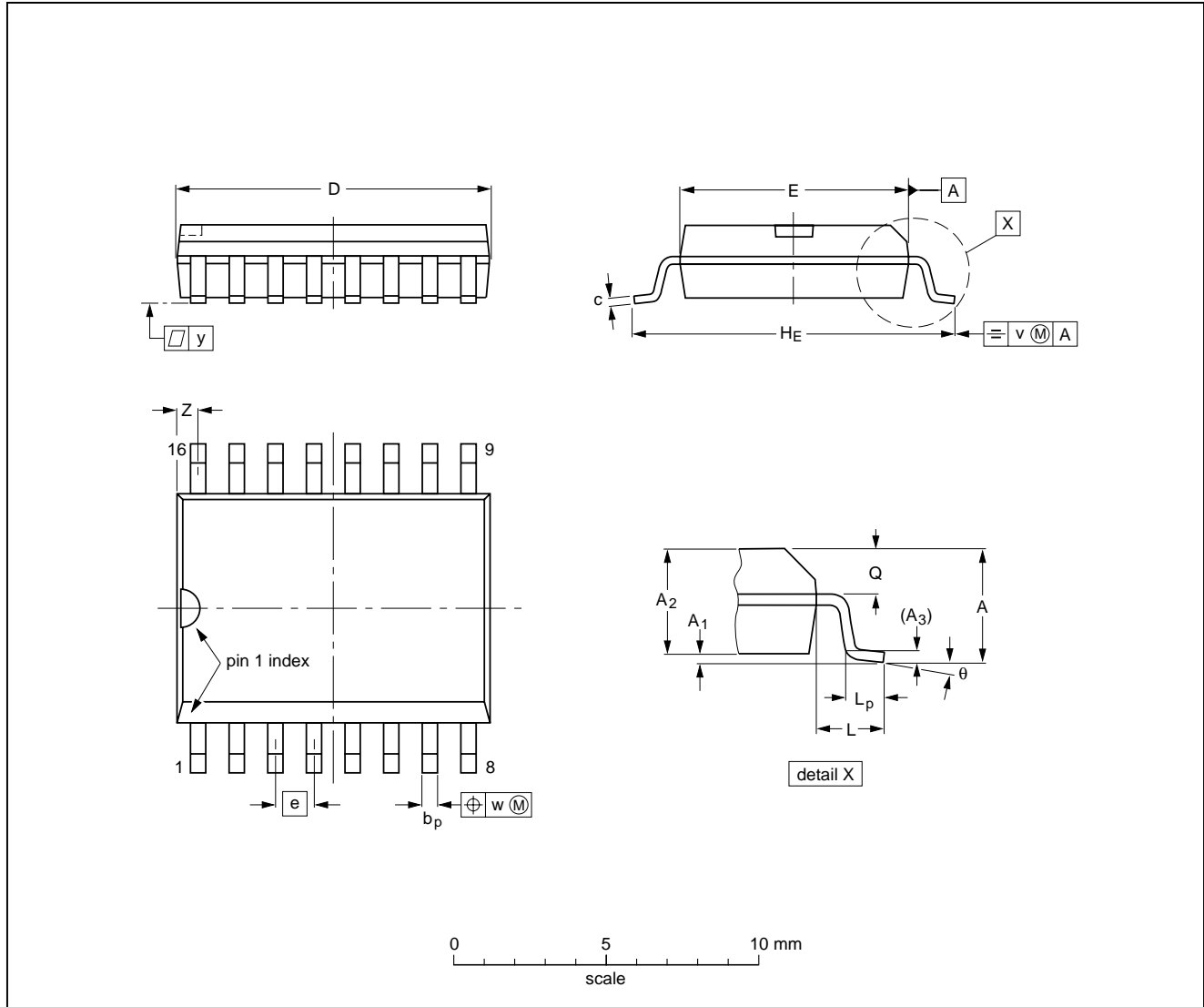
OUTLINE VERSION	REFERENCES				EUROPEAN PROJECTION	ISSUE DATE
	IEC	JEDEC	EIAJ			
SOT38-4						92-11-17 95-01-14

Remote 8-bit I/O expander for I²C-bus

PCF8574

SO16: plastic small outline package; 16 leads; body width 7.5 mm

SOT162-1



DIMENSIONS (inch dimensions are derived from the original mm dimensions)

UNIT	A max.	A ₁	A ₂	A ₃	b _p	c	D ⁽¹⁾	E ⁽¹⁾	e	H _E	L	L _p	Q	v	w	y	z ⁽¹⁾	θ
mm	2.65	0.30 0.10	2.45 2.25	0.25	0.49 0.36	0.32 0.23	10.5 10.1	7.6 7.4	1.27	10.65 10.00	1.4	1.1 0.4	1.1 1.0	0.25	0.25	0.1	0.9 0.4	8° 0°
inches	0.10	0.012 0.004	0.096 0.089	0.01	0.019 0.014	0.013 0.009	0.41 0.40	0.30 0.29	0.050	0.419 0.394	0.055	0.043 0.016	0.043 0.039	0.01	0.01	0.004	0.035 0.016	

Note
1. Plastic or metal protrusions of 0.15 mm maximum per side are not included.

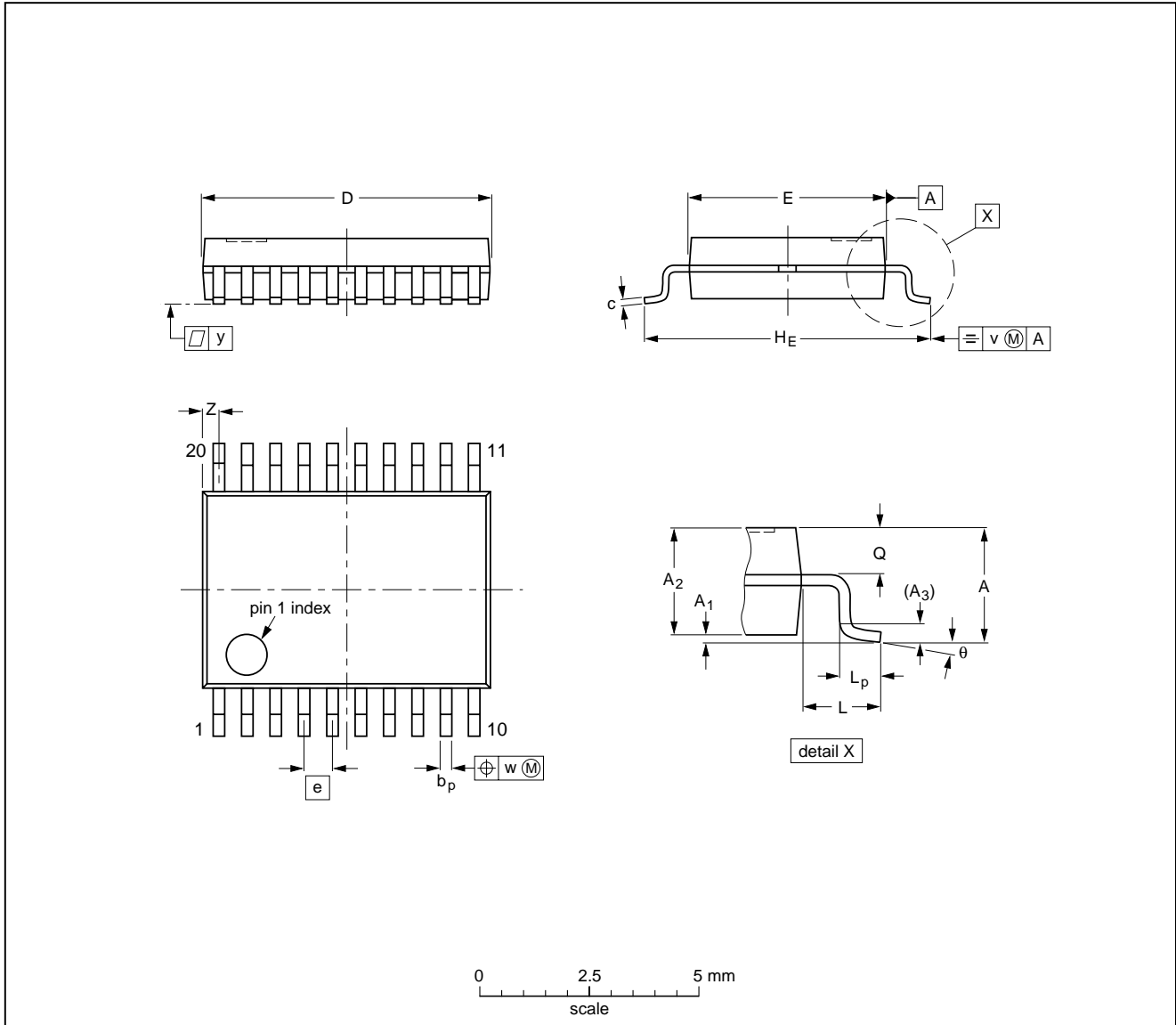
OUTLINE VERSION	REFERENCES				EUROPEAN PROJECTION	ISSUE DATE
	IEC	JEDEC	EIAJ			
SOT162-1	075E03	MS-013				97-05-22 99-12-27

Remote 8-bit I/O expander for I²C-bus

PCF8574

SSOP20: plastic shrink small outline package; 20 leads; body width 4.4 mm

SOT266-1



DIMENSIONS (mm are the original dimensions)

UNIT	A max.	A ₁	A ₂	A ₃	b _p	c	D ⁽¹⁾	E ⁽¹⁾	e	H _E	L	L _p	Q	v	w	y	z ⁽¹⁾	θ
mm	1.5	0.15 0	1.4 1.2	0.25	0.32 0.20	0.20 0.13	6.6 6.4	4.5 4.3	0.65	6.6 6.2	1.0	0.75 0.45	0.65 0.45	0.2	0.13	0.1	0.48 0.18	10° 0°

Note

1. Plastic or metal protrusions of 0.20 mm maximum per side are not included.

OUTLINE VERSION	REFERENCES				EUROPEAN PROJECTION	ISSUE DATE
	IEC	JEDEC	EIAJ			
SOT266-1		MO-152				95-02-22 99-12-27

Remote 8-bit I/O expander for I²C-bus

PCF8574

13 SOLDERING

13.1 Introduction

This text gives a very brief insight to a complex technology. A more in-depth account of soldering ICs can be found in our "Data Handbook IC26; Integrated Circuit Packages" (document order number 9398 652 90011).

There is no soldering method that is ideal for all IC packages. Wave soldering is often preferred when through-hole and surface mount components are mixed on one printed-circuit board. Wave soldering can still be used for certain surface mount ICs, but it is not suitable for fine pitch SMDs. In these situations reflow soldering is recommended.

13.2 Through-hole mount packages

13.2.1 SOLDERING BY DIPPING OR BY SOLDER WAVE

The maximum permissible temperature of the solder is 260 °C; solder at this temperature must not be in contact with the joints for more than 5 seconds. The total contact time of successive solder waves must not exceed 5 seconds.

The device may be mounted up to the seating plane, but the temperature of the plastic body must not exceed the specified maximum storage temperature ($T_{stg(max)}$). If the printed-circuit board has been pre-heated, forced cooling may be necessary immediately after soldering to keep the temperature within the permissible limit.

13.2.2 MANUAL SOLDERING

Apply the soldering iron (24 V or less) to the lead(s) of the package, either below the seating plane or not more than 2 mm above it. If the temperature of the soldering iron bit is less than 300 °C it may remain in contact for up to 10 seconds. If the bit temperature is between 300 and 400 °C, contact may be up to 5 seconds.

13.3 Surface mount packages

13.3.1 REFLOW SOLDERING

Reflow soldering requires solder paste (a suspension of fine solder particles, flux and binding agent) to be applied to the printed-circuit board by screen printing, stencilling or pressure-syringe dispensing before package placement.

Several methods exist for reflowing; for example, convection or convection/infrared heating in a conveyor type oven. Throughput times (preheating, soldering and cooling) vary between 100 and 200 seconds depending on heating method.

Typical reflow peak temperatures range from 215 to 250 °C. The top-surface temperature of the packages should preferably be kept below 220 °C for thick/large packages, and below 235 °C for small/thin packages.

13.3.2 WAVE SOLDERING

Conventional single wave soldering is not recommended for surface mount devices (SMDs) or printed-circuit boards with a high component density, as solder bridging and non-wetting can present major problems.

To overcome these problems the double-wave soldering method was specifically developed.

If wave soldering is used the following conditions must be observed for optimal results:

- Use a double-wave soldering method comprising a turbulent wave with high upward pressure followed by a smooth laminar wave.
- For packages with leads on two sides and a pitch (e):
 - larger than or equal to 1.27 mm, the footprint longitudinal axis is **preferred** to be parallel to the transport direction of the printed-circuit board;
 - smaller than 1.27 mm, the footprint longitudinal axis **must** be parallel to the transport direction of the printed-circuit board.

The footprint must incorporate solder thieves at the downstream end.

- For packages with leads on four sides, the footprint must be placed at a 45° angle to the transport direction of the printed-circuit board. The footprint must incorporate solder thieves downstream and at the side corners.

During placement and before soldering, the package must be fixed with a droplet of adhesive. The adhesive can be applied by screen printing, pin transfer or syringe dispensing. The package can be soldered after the adhesive is cured.

Typical dwell time is 4 seconds at 250 °C.

A mildly-activated flux will eliminate the need for removal of corrosive residues in most applications.

13.3.3 MANUAL SOLDERING

Fix the component by first soldering two diagonally-opposite end leads. Use a low voltage (24 V or less) soldering iron applied to the flat part of the lead. Contact time must be limited to 10 seconds at up to 300 °C. When using a dedicated tool, all other leads can be soldered in one operation within 2 to 5 seconds between 270 and 320 °C.

Remote 8-bit I/O expander for I²C-bus

PCF8574

13.4 Suitability of IC packages for wave, reflow and dipping soldering methods

MOUNTING	PACKAGE ⁽¹⁾	SOLDERING METHOD		
		WAVE	REFLOW ⁽²⁾	DIPPING
Through-hole mount	DBS, DIP, HDIP, SDIP, SIL	suitable ⁽³⁾	–	suitable
Surface mount	BGA, LBGA, LFBGA, SQFP, TFBGA, VFBGA	not suitable	suitable	–
	HBCC, HBGA, HLQFP, HSQFP, HSOP, HTQFP, HTSSOP, HVQFN, HVSON, SMS	not suitable ⁽⁴⁾	suitable	–
	PLCC ⁽⁵⁾ , SO, SOJ	suitable	suitable	–
	LQFP, QFP, TQFP	not recommended ⁽⁵⁾⁽⁶⁾	suitable	–
	SSOP, TSSOP, VSO	not recommended ⁽⁷⁾	suitable	–

Notes

- For more detailed information on the BGA packages refer to the “(LF)BGA Application Note” (AN01026); order a copy from your Philips Semiconductors sales office.
- All surface mount (SMD) packages are moisture sensitive. Depending upon the moisture content, the maximum temperature (with respect to time) and body size of the package, there is a risk that internal or external package cracks may occur due to vaporization of the moisture in them (the so called popcorn effect). For details, refer to the Drypack information in the “Data Handbook IC26; Integrated Circuit Packages; Section: Packing Methods”.
- For SDIP packages, the longitudinal axis must be parallel to the transport direction of the printed-circuit board.
- These packages are not suitable for wave soldering. On versions with the heatsink on the bottom side, the solder cannot penetrate between the printed-circuit board and the heatsink. On versions with the heatsink on the top side, the solder might be deposited on the heatsink surface.
- If wave soldering is considered, then the package must be placed at a 45° angle to the solder wave direction. The package footprint must incorporate solder thieves downstream and at the side corners.
- Wave soldering is suitable for LQFP, QFP and TQFP packages with a pitch (e) larger than 0.8 mm; it is definitely not suitable for packages with a pitch (e) equal to or smaller than 0.65 mm.
- Wave soldering is suitable for SSOP and TSSOP packages with a pitch (e) equal to or larger than 0.65 mm; it is definitely not suitable for packages with a pitch (e) equal to or smaller than 0.5 mm.

Remote 8-bit I/O expander for I²C-bus

PCF8574

14 DATA SHEET STATUS

LEVEL	DATA SHEET STATUS ⁽¹⁾	PRODUCT STATUS ⁽²⁾⁽³⁾	DEFINITION
I	Objective data	Development	This data sheet contains data from the objective specification for product development. Philips Semiconductors reserves the right to change the specification in any manner without notice.
II	Preliminary data	Qualification	This data sheet contains data from the preliminary specification. Supplementary data will be published at a later date. Philips Semiconductors reserves the right to change the specification without notice, in order to improve the design and supply the best possible product.
III	Product data	Production	This data sheet contains data from the product specification. Philips Semiconductors reserves the right to make changes at any time in order to improve the design, manufacturing and supply. Relevant changes will be communicated via a Customer Product/Process Change Notification (CPCN).

Notes

1. Please consult the most recently issued data sheet before initiating or completing a design.
2. The product status of the device(s) described in this data sheet may have changed since this data sheet was published. The latest information is available on the Internet at URL <http://www.semiconductors.philips.com>.
3. For data sheets describing multiple type numbers, the highest-level product status determines the data sheet status.

15 DEFINITIONS

Short-form specification — The data in a short-form specification is extracted from a full data sheet with the same type number and title. For detailed information see the relevant data sheet or data handbook.

Limiting values definition — Limiting values given are in accordance with the Absolute Maximum Rating System (IEC 60134). Stress above one or more of the limiting values may cause permanent damage to the device. These are stress ratings only and operation of the device at these or at any other conditions above those given in the Characteristics sections of the specification is not implied. Exposure to limiting values for extended periods may affect device reliability.

Application information — Applications that are described herein for any of these products are for illustrative purposes only. Philips Semiconductors make no representation or warranty that such applications will be suitable for the specified use without further testing or modification.

16 DISCLAIMERS

Life support applications — These products are not designed for use in life support appliances, devices, or systems where malfunction of these products can reasonably be expected to result in personal injury. Philips Semiconductors customers using or selling these products for use in such applications do so at their own risk and agree to fully indemnify Philips Semiconductors for any damages resulting from such application.

Right to make changes — Philips Semiconductors reserves the right to make changes in the products - including circuits, standard cells, and/or software - described or contained herein in order to improve design and/or performance. When the product is in full production (status 'Production'), relevant changes will be communicated via a Customer Product/Process Change Notification (CPCN). Philips Semiconductors assumes no responsibility or liability for the use of any of these products, conveys no licence or title under any patent, copyright, or mask work right to these products, and makes no representations or warranties that these products are free from patent, copyright, or mask work right infringement, unless otherwise specified.

Remote 8-bit I/O expander for I²C-bus

PCF8574

17 PURCHASE OF PHILIPS I²C COMPONENTS

Purchase of Philips I²C components conveys a license under the Philips' I²C patent to use the components in the I²C system provided the system conforms to the I²C specification defined by Philips. This specification can be ordered using the code 9398 393 40011.

Philips Semiconductors – a worldwide company

Contact information

For additional information please visit <http://www.semiconductors.philips.com>. Fax: +31 40 27 24825

For sales offices addresses send e-mail to: sales.addresses@www.semiconductors.philips.com.

© Koninklijke Philips Electronics N.V. 2002

SCA74

All rights are reserved. Reproduction in whole or in part is prohibited without the prior written consent of the copyright owner.

The information presented in this document does not form part of any quotation or contract, is believed to be accurate and reliable and may be changed without notice. No liability will be accepted by the publisher for any consequence of its use. Publication thereof does not convey nor imply any license under patent- or other industrial or intellectual property rights.

Printed in The Netherlands

403512/04/pp24

Date of release: 2002 Nov 22

Document order number: 9397 750 10462

Let's make things better.

**Philips
Semiconductors**



PHILIPS



Product Information

PCF8574; Remote 8-bit I/O expander for I²C-bus

Information as of 2004-09-01

 Stay informed
 Download datasheet
 Lead-free

General description	Features	Applications	Datasheet
Block diagram	Buy online	Support & tools	Email/translate
Products & packages	Parametrics	Similar products	Disclaimer

Product Categories

[Analog and](#)

- [mixed-signal devices](#)

- [Audio](#)

- [Bus devices](#)

[Clocks &](#)

- [Watches](#)

- [Data](#)

- [Communications](#)

- [Discrete modules](#)

- [Discretes](#)

- [Display drivers](#)

- [Identification &](#)

- [Security](#)

- [Logic](#)

- [Microcontrollers](#)

- [Peripherals](#)

- [Power](#)

- [Management](#)

- [Video](#)

- [Wired](#)

- [Communications](#)

- [Wireless](#)

- [Communications](#)

General description

The PCF8574 is a silicon CMOS circuit. It provides general purpose remote I/O expansion for most microcontroller families via the two-line bidirectional bus (I²C-bus).

The device consists of an 8-bit quasi-bidirectional port and an I²C-bus interface. The PCF8574 has a low current consumption and includes latched outputs with high current drive capability for directly driving LEDs. It also possesses an interrupt line (INT) which can be connected to the interrupt logic of the microcontroller. By sending an interrupt signal on this line, the remote I/O can inform the microcontroller if there is incoming data on its ports without having to communicate via the I²C-bus. This means that the PCF8574 can remain a simple slave device.

The PCF8574 and PCF8574A versions differ only in their slave address as shown in Fig.10.

Features

- Operating supply voltage 2.5 to 6 V
- Low standby current consumption of 10 uA maximum
- I²C-bus to parallel port expander
- Open-drain interrupt output
- 8-bit remote I/O port for the I²C-bus
- Compatible with most microcontrollers
- Latched outputs with high current drive capability for directly driving LEDs
- Address by 3 hardware address pins for use of up to 8 devices (up to 16 with PCF8574A)
- DIP16, or space-saving SO16 or SSOP20 packages.

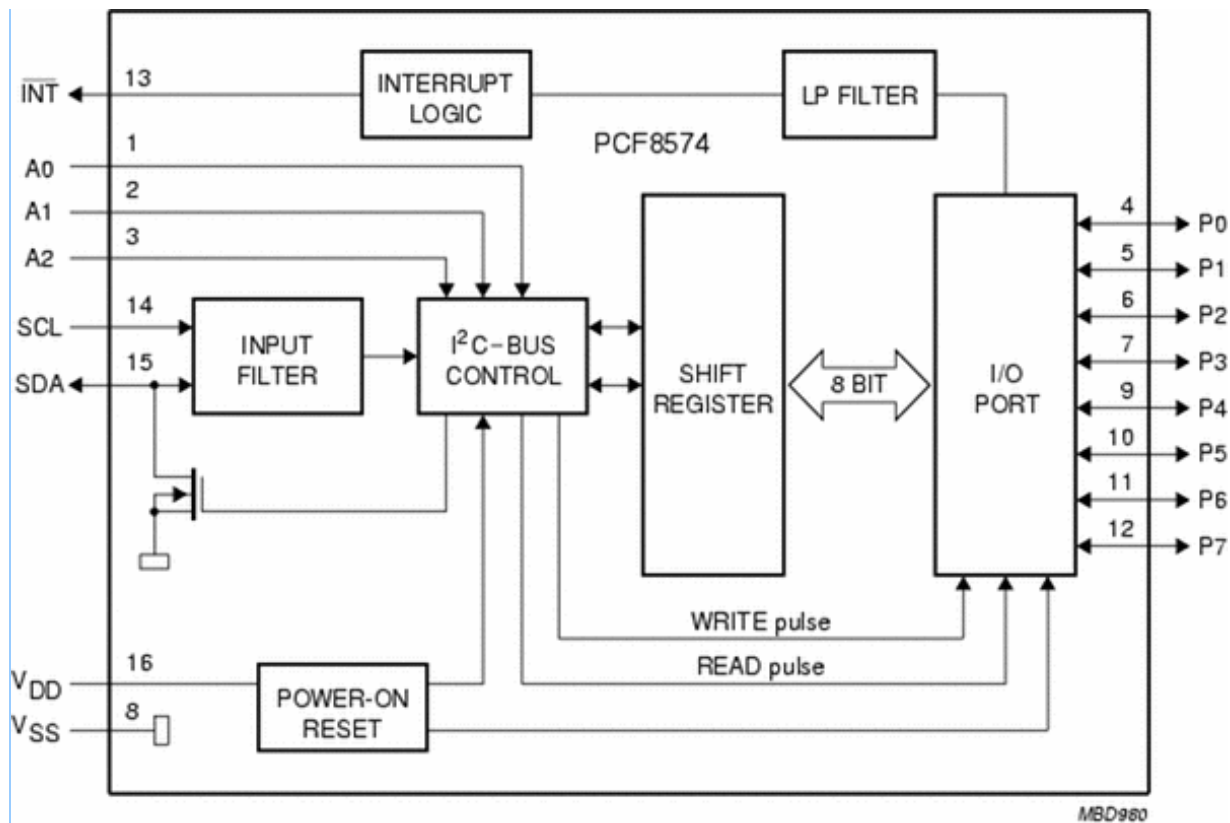
Applications

- [PDF AN00070_1: TDA8752B Triple 8-bit A/D converter dual chip solution for high resolution digital displays](#) (date 16-Dec-02)
- [PDF AN10216_1: I²C manual](#) (date 27-Mar-03)
- [PDF AN469: I²C General Purpose I/O Ports](#) (date 15-Oct-01)
- [PDF AN96007_1: P83CE258 for High-End RDS/EON Car Radio System CCR520S V2.5](#) (date 01-Feb-96)
- [PDF AN96014_1: P83CE528 for High-end RDS/EON car radio system CCR526](#) (date 14-Mar-03)
- [PDF AN96018_1: Application and Product Description of the 16:9 Compressor SAA4981/T](#)
- [PDF AN96022_1: High-End RDS/EON Car Radio System CCR520S \(V2.6\)](#) (date 15-Mar-96)
- [PDF AN96029_1: High-end RDS/EON car radio system CCR612 user manual](#) (date 14-Mar-03)



Datasheet



<u>Datasheet title</u>	<u>Publication release date</u>	<u>Datasheet status</u>	<u>Page count</u>	<u>File size (kB)</u>	<u>Datasheet</u>
PCF8574; Remote 8-bit I/O expander for I ² C-bus	22-Nov-02	Product specification	24	132	PDF Download

Blockdiagram(s)













Parametrics

Type number	Package	INTERRUPT	Operating temp.(Cel)	Operating # of Bits	Source Current per bit(mA)	I ² C-bus(kHz)	Operating voltage(VDC)	New product	Weak Pull-Up Current Source	Max Sink Current per bit(mA)	# of Addresses	Max Sink Current
PCF8574AP	SOT38-4 (DIP16) 	0-1	-40~85	8	0.1	100	2.5~6.0		yes	20	4	100
PCF8574AT	SOT162-1 (SO16) 	0-1	-40~85	8	0.1	100	2.5~6.0		yes	20	4	100
PCF8574AT/3	SOT162	0-1	-40~85	8	0.1	100	2.5~6.0		yes	20	4	100

PCF8574ATS/F3	SOT266-1 (SSOP20)	0-1	-40~85	8	0.1	100	2.5~6.0	yes	yes	20	4	100
PCF8574P	SOT38-4 (DIP16) 	0-1	-40~85	8	0.1	100	2.5~6.0		yes	20	4	100
PCF8574T	SOT162-1 (SO16) 	0-1	-40~85	8	0.1	100	2.5~6.0		yes	20	4	100
PCF8574TS/F3	SOT266-1 (SSOP20)	0-1	-40~85	8	0.1	100	2.5~6.0		yes	20	4	100

Products, packages, availability and ordering

<u>Type number</u>	<u>North American type number</u>	<u>Ordering code (12NC)</u>	<u>Marking/Packing</u> PDF Discretes packing info	<u>Package</u>	<u>Product status</u>	<u>Buy online</u>
PCF8574AP	PCF8574APN	9338 516 70112	Standard Marking * Bulk Pack	SOT38-4 (DIP16) 	Full production	BUY ONLINE 
PCF8574AT	PCF8574ATD	9338 516 60112	Standard Marking * Bulk Pack	SOT162-1 (SO16) 	Full production	BUY ONLINE 
	PCF8574ATD-T	9338 516 60118	Standard Marking * Reel Pack, SMD, 13"	SOT162-1 (SO16) 	Full production	BUY ONLINE 
PCF8574AT/3		9352 755 81512	Standard Marking * Tube Dry Pack	SOT162-1 (SO16) 	Full production	-
		9352 755 81518	Standard Marking * Reel Dry Pack, SMD, 13"	SOT162-1 (SO16) 	Full production	-
PCF8574ATS/F3		9352 717 53118	Standard Marking * Reel Pack, SMD, 13"	SOT266-1 (SSOP20)	Full production	-

PCF8574P	PCF8574PN	9337 060 60112	Standard Marking * Bulk Pack	SOT38-4 (DIP16) 	Full production	BUY ONLINE 
PCF8574T	PCF8574TD	9337 280 80112	Standard Marking * Bulk Pack	SOT162-1 (SO16) 	Full production	BUY ONLINE 
	PCF8574TD-T	9337 280 80118	Standard Marking * Reel Pack, SMD, 13"	SOT162-1 (SO16) 	Full production	BUY ONLINE 
PCF8574T/3		9352 756 17512	Standard Marking * Tube Dry Pack	SOT162-1 (SO16) 	Full production	-
		9352 756 17518	Standard Marking * Reel Dry Pack, SMD, 13"	SOT162-1 (SO16) 	Full production	-
PCF8574TS/3		9352 756 72112	Standard Marking * Bulk Pack	SOT266-1 (SSOP20)	Full production	-
		9352 756 72118	Standard Marking * Reel Pack, SMD, 13"	SOT266-1 (SSOP20)	Full production	-
PCF8574TS/F3	PCF8574TDK	9350 847 90112	Standard Marking * Bulk Pack	SOT266-1 (SSOP20)	Full production	BUY ONLINE 
	PCF8574TDK-T	9350 847 90118	Standard Marking * Reel Pack, SMD, 13"	SOT266-1 (SSOP20)	Full production	BUY ONLINE 

Products in the above table are all in production. Some variants are discontinued; click [here](#) for information on these variants.

Similar products

[MORE](#) [PCF8574](#) links to the similar products page containing an overview of products that are similar in function or related to the type number(s) as listed on this page. The similar products page includes products from the same catalog tree(s), relevant selection guides and products from the same functional category.

Support & tools

- [→ PDF LCD drivers linecard](#)(date 2001-11-23)
- [→ PDF PCA9500/PCA9501](#)(date 2002-06-01)
- [→ PDF PCA9534/9535 I/O Expanders](#)(date 2002-08-01)
- [→ PDF I²C bus devices selection guide](#)(date 2003-08-01)
- [→ PDF I²C 2002-1A Evaluation Board Kit](#)(date 2003-03-01)
- [→ PDF I²C Bus Solutions 2004](#)(date 2004-02-01)
- [→ PDF I²C Logic Selection Guide 2004](#)(date 2004-02-01)
- [→ PDF SPHERIC demo board](#)(date 2003-03-14)
- [→ PDF DesignCon 2003 TecForum I²C Bus Overview](#)(date 2003-01-27)
- [→ PDF Assigned I²C-bus addresses General](#)(date 1997-03-01)
- [→ PDF I²C-bus allocation table General](#)(date 1997-03-01)
- [→ PDF I²C Handbook](#)(date 2004-01-01)
- [→ PDF I²C Handbook](#)(date 2004-01-01)
- [→ PDF Interface Products Business Line Specialty Logic Product Line I²C Logic Family Overview](#)(date 2004-01-01)

Email/translate this product information

- [Email this product information.](#)
- Translate this product information page from English to:

The English language is the official language used at the semiconductors.philips.com website and webpages. All translations on this website are created through the use of [Google Language Tools](#) and are provided for convenience purposes only. No rights can be derived from any translation on this website.

Disclaimer


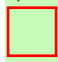
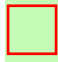
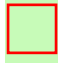
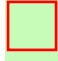
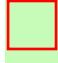
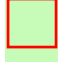
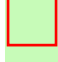
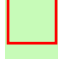
The information published on product information pages of the www.semiconductors.philips.com or www.semiconductors.com websites is an extract from product data sheets and is for information purposes only. For detailed information please check the most recent version of the relevant product data sheet as published on these websites. In the event of any conflict between product information pages and data sheets or deviations from information provided in the product data sheets on these product information pages, the information provided in the product data sheets shall prevail.

The product status of the product(s) described in the product data sheet may have changed since publication of the data sheet and therefore information in datasheets on product status may be outdated. The latest information on product status is published on the product information pages of the above-mentioned websites.

| Copyright © 2004 Koninklijke Philips N.V. All rights reserved. | [Privacy Policy](#) |

| Koninklijke Philips N.V. | Access to and use of this Web Site is subject to the following [Terms of Use](#). |

Discontinued and withdrawn products, packages and availability

<u>Type number</u>	<u>North American type number</u>	<u>Ordering code (12NC)</u>	<u>Marking/Packing Discretes</u>  <u>packing info</u>	<u>Package</u>	<u>Product status</u>
PCF8574AT	PCF8574ATD	9338 516 60112	Standard Marking * Bulk Pack	SOT162-1 (SO16) 	Discontinued
	PCF8574ATD-T	9338 516 60118	Standard Marking * Reel Pack, SMD, 13"	SOT162-1 (SO16) 	Discontinued
PCF8574AT/3		9352 755 81112	Standard Marking * Bulk Pack	SOT162-1 (SO16) 	Withdrawn
		9352 755 81118	Standard Marking * Reel Pack, SMD, 13"	SOT162-1 (SO16) 	Withdrawn
PCF8574T	PCF8574TD	9337 280 80112	Standard Marking * Bulk Pack	SOT162-1 (SO16) 	Discontinued
	PCF8574TD-T	9337 280 80118	Standard Marking * Reel Pack, SMD, 13"	SOT162-1 (SO16) 	Discontinued
PCF8574T/3		9352 756 17112	Standard Marking * Bulk Pack	SOT162-1 (SO16) 	Withdrawn
		9352 756 17118	Standard Marking * Reel Pack, SMD, 13"	SOT162-1 (SO16) 	Withdrawn
PCF8574TS/F3	PCF8574TDK	9350 847 90112	Standard Marking * Bulk Pack	SOT266-1 (SSOP20)	Discontinued
	PCF8574TDK-T	9350 847 90118	Standard Marking * Reel Pack, SMD, 13"	SOT266-1 (SSOP20)	Discontinued

[Detailed discontinuation information](#)

Please note, devices listed in the "Products, packages, availability and ordering" table marked with "Withdrawn" are not in production anymore. Devices marked with "Discontinued" will not be in production in the near future.

Contact your nearest [sales or distributor office](#) for the latest information on product status and availability.

Click to return to the available devices: [Dead](#) [PCF8574P](#)