

2:1 Active HDMI™ 1.4 Source-side Switch with Integrated ARC and Fast Switching Support

Features

- HDMI 1.4 compliant
- Operation up to 3.4 Gbps per lane (340 MHz pixel clock) to support 4K x 2K @24Hz (297 MHz) and 3D video format (1080p, 1080i and 720p)
- Support up to 48-bit per pixel Deep Color™
- Integrated ARC(Audio Return Channel) and Rx Sense function
- Fast switching between two HDMI input ports
- Programmable equalizer, emphasis and amplitude settings to achieve optimized HDMI signal integrity
- Each input can be AC coupled or DC coupled, while the output will maintain TMDS compliance DC coupled, current steering signals
- Idle clock detection function for output squelch and auto standby
- Integrated ESD protection on I/O pins to connector
 - 8 KV contact per IEC61000-4-2, level 4
 - 8 KV HBM
- Industrial temperature coverage
- Packaging (Pb-free & Green): 48-contact LQFP (FB)

Description

PI3HDMI521 is 2:1 active switch that supports HDMI 1.4 specification with data rate up to 3.4 Gbps.

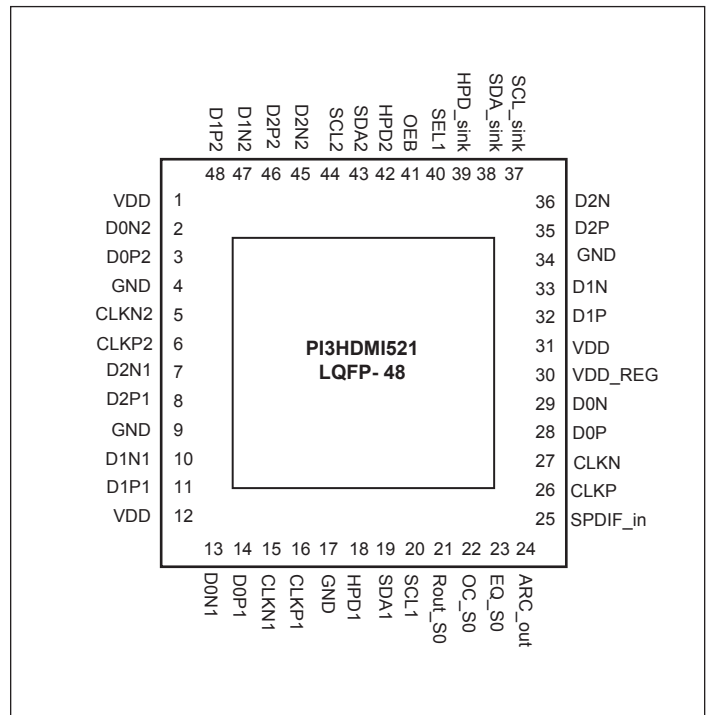
The I²C configuration function with multiple system control signal integration of DDC channel MUX, Hot Plug Detection DEMUX, cable plug-unplug detection and HDMI 1.4 ARC transmitter help to save the extra requirement of GPIO control pins or control chip and provide optimized trace routing and component reduction.

Programmable termination settings at TMDS inputs help to avoid the compatibility issue caused by non standard HDMI source to determine the connection status of TMDS channel with proper termination voltage setting. The programmable output termination setting supports double termination option between PI3HDMI521 and the HDMI receiver chip to ease the reflection effect caused by improper impedance matching design and reducing jittery signals.

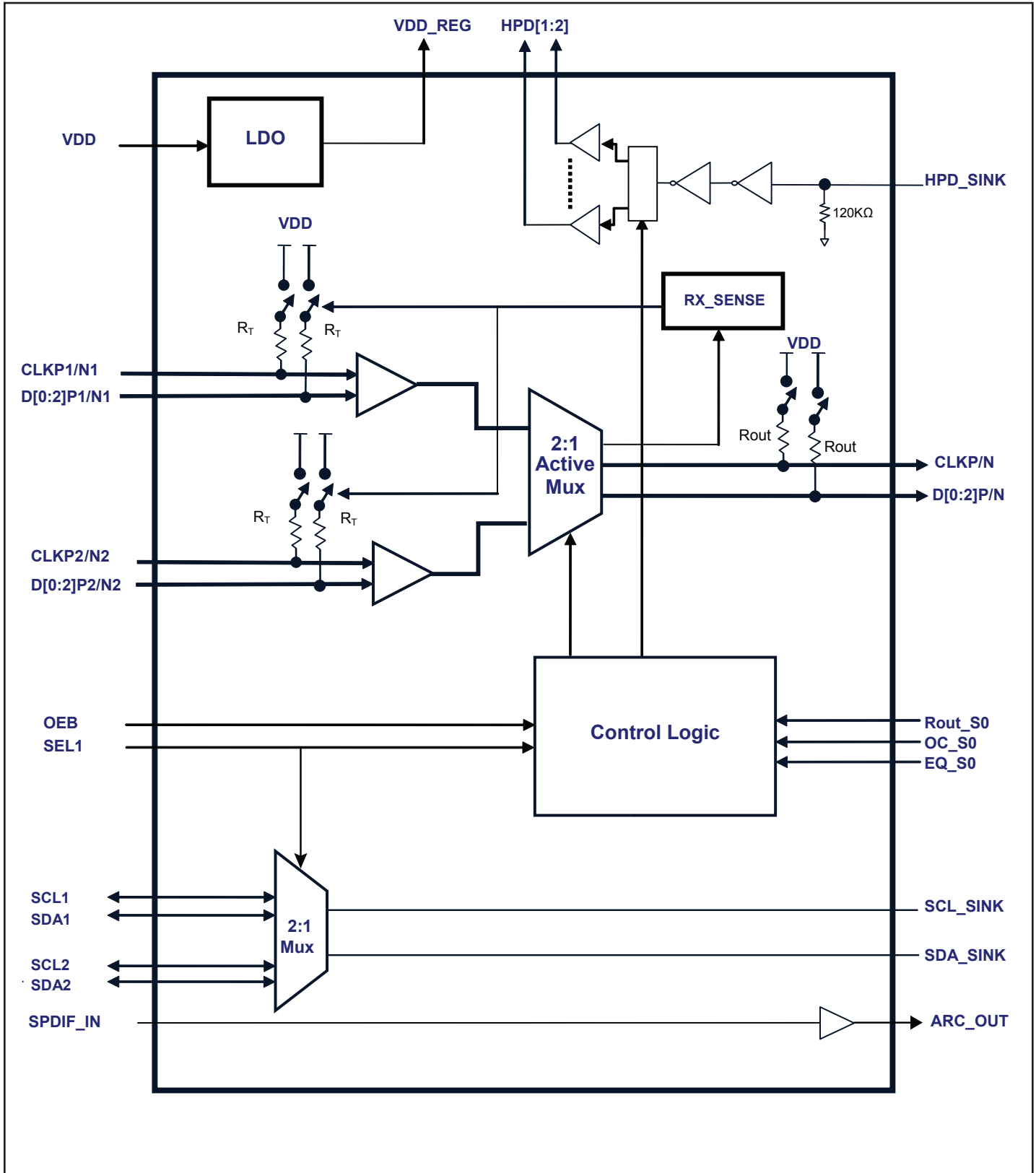
PI3HDMI521 integrates ARC and supports video fast switching among HDMI ports.

The device is fully compatible with HDMI 1.4 and supports backward compatibility to the DVI 1.0 standard.

Pin Configuration



Block Diagram



Pin Description

Pin #	Pin Name	Type ¹	Description
7	D2N1	I	Port 1 TMDS inputs. Rt = 50 Ohm
8	D2P1		
10	D1N1		
11	D1P1		
13	D0N1		
14	D0P1		
15	CLKN1		
16	CLKP1		
45	D2N2	I	Port 2 TMDS inputs. Rt = 50 Ohm
46	D2P2		
47	D1N2		
48	D1P2		
2	D0N2		
3	D0P2		
5	CLKN2		
6	CLKP2		
36	D2N	O	TMDS Outputs. Rout = 50 Ohm when Rout_S0 = High
35	D2P		
33	D1N		
32	D1P		
29	D0N		
28	D0P		
27	CLKN		
26	CLKP		
39	HPD_SINK	I	Sink side hot plug detector input; internal pull-down at 120 KOhm.
18	HPD1	O	Port 1 HPD output
42	HPD2	O	Port 2 HPD output
19	SDA1	IO	Port 1 DDC Data
20	SCL1	IO	Port 1 DDC Clock
43	SDA2	IO	Port 2 DDC Data
44	SCL2	IO	Port 2 DDC Clock
37	SCL_SINK	IO	Sink side DDC Clock
38	SDA_SINK	IO	Sink side DDC Data
21	Rout_S0	I	TMDS output termination selection. If HIGH or floating, then 50 Ohm is present on TMDS output pins. if LOW, then 50 Ohm is not present on TMDS output pins. This pin has internal 100 KOhm pull-up
41	OEB	I	Output Enable control. Active low. Internal 100 KOhm pull-down. See truth table for functionality.

Pin Description

Pin #	Pin Name	Type ¹	Description
22	OC_S0	I	TMDS output pre-emphasis selection. See OC_S0 truth table for functionality. This pin has internal 100 KOhm pull-up
23	EQ_S0	I	TMDS input equalization selection. If LOW or floating, EQ is set at 9 dB for all TMDS data inputs If HIGH, EQ is set at 15 dB for all TMDS data inputs (please note, TMDS clock inputs are always set to 3 dB eq). This pin has an internal 100 KOhm pull-low
40	SEL1	I	PORT1 or PORT2 selection. Please see truth table for functionality This pin has an internal 100 KOhm pull-up
25	SPDIF_IN	I	Single mode ARC signal input
24	ARC_OUT	O	Single mode ARC signal output
1, 12, 31	VDD	PWR	3.3V power supply
30	VDD_REG	PWR	LDO output for internal core supplier. External capacitor 2.2 to 4.7 μ F should be added to GND.
4, 9, 17, 34	GND	GND	Supply Ground

Note:

1. I = Input, O = Output, IO = Bidirectional Input/Output, PWR = Power, GND = Ground

Description of Operation

Squelch function:

Squelch control is using low frequency signal detection. When TMDS input clock frequency is less than 10 MHz, power-down mode will initiate to save power.

Rx-sense detector:

This device searches for 50 Ohm termination present in the other side of HDMI Receiver. If the 50 Ohm is not present in the other side, the device determine no valid HDMI receiver chip is connected. Then, this device will turn off 50 Ohm input termination resistors for all TMDS data and clock pairs and enter into the power-down mode.

OC_S0 Truth Table (Swing setting 500 mV as default)

TMDS output pre-emphasis setting		Setting Value	
Rout_S0 (internal pull-up)	OC_S0 (internal pull-up)	Single-end Vswing (mV)	Pre-emphasis (dB)
0	0	500	0 (open drain)
0	1	500	2.5 (open drain)
1	0	500	0 (double termination)
1	1	500	2.5 (double termination)

Note

1. open drain (Rout off); double termination (Rout on).
2. TMDS CLK pre-emphasis value is fixed to 0 dB.

Port Selection Truth Table

OEB (Internal pull-down)	SEL1	TMDS port	DDC port	HPD port
0	1	CLKN/P1, D0N/P1, D1N/P1,D2N/P1	SCL1/SDA1	HPD1
0	0	CLKN/P2, D0N/P2, D1N/P2,D2N/P2	SCL2/SDA2	HPD2
1	X	OFF	Follow SEL1	Follow SEL1

EQ_S0 Truth Table

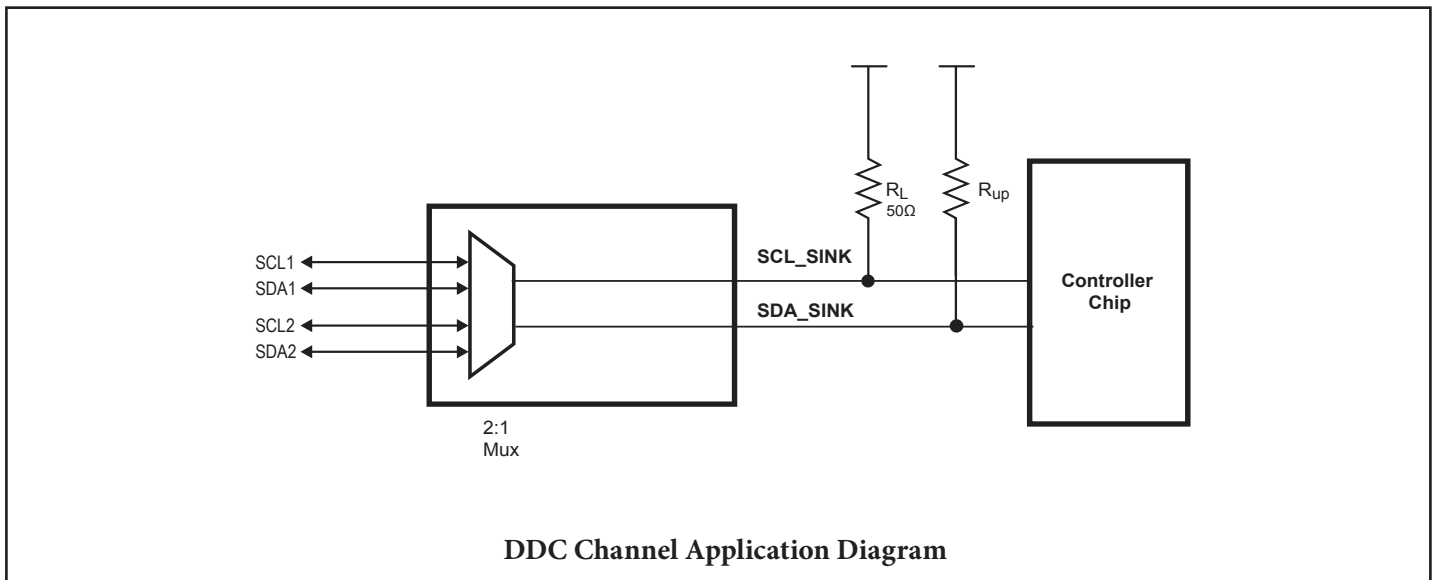
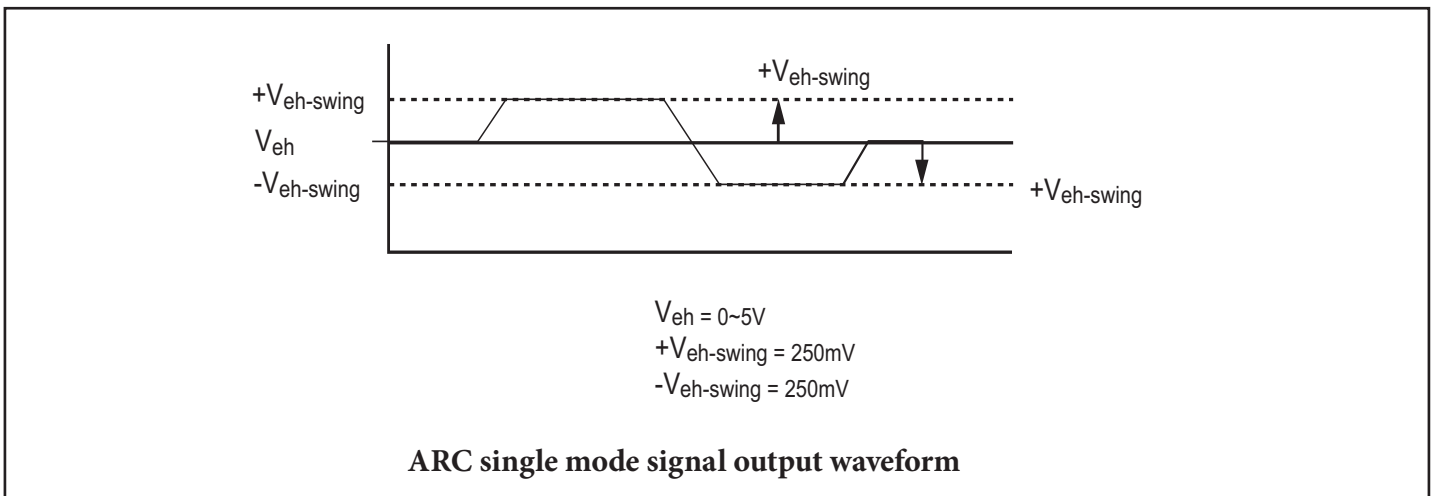
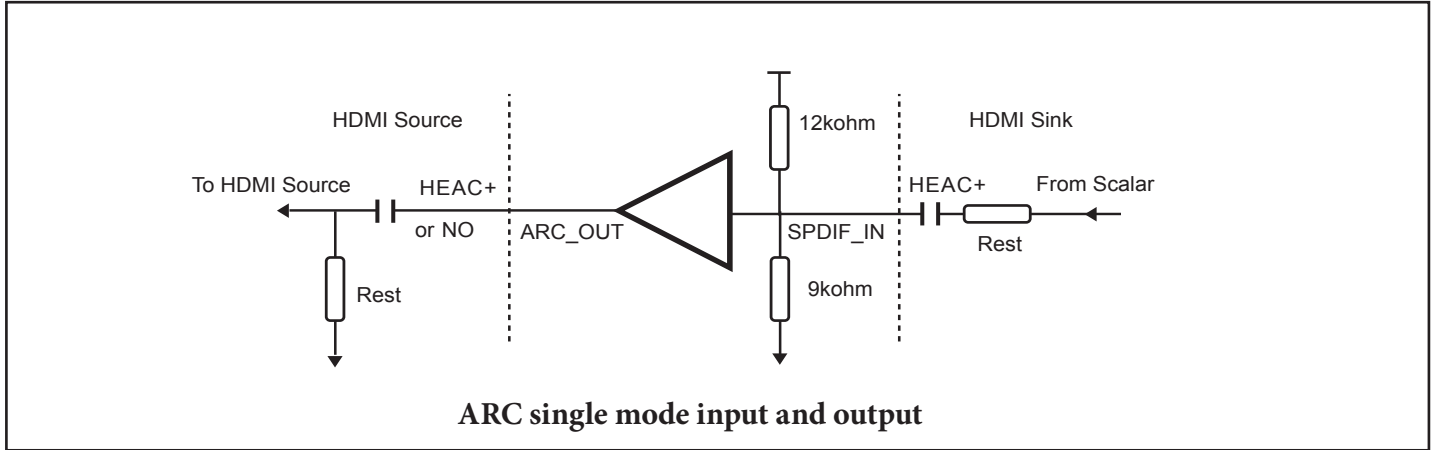
EQ_S0 (Internal pull-down)	Operation
0	9 dB
1	15 dB

Note

1. For TMDS CLK channels, the EQ value is fixed to 3dB.

Audio Return Channel:

There are two ARC input modes, common mode and single mode input. This device can supports "single mode input" only.



Absolute Maximum Ratings

Item	Rating
Supply Voltage to Ground Potential	5.5V
All Inputs and Outputs	-0.5V to $V_{DD}+0.5V$
Ambient Operating Temperature	-40 to +85°C
Storage Temperature	-65 to +150°C
Junction Temperature	150°C
Soldering Temperature	260°C

Note: Stress beyond those lists under “Absolute Maximum Ratings” may cause permanent damage to the device

Recommended Operation Conditions

Parameter	Min.	Typ.	Max.	Unit
Ambient Operating Temperature	-40		85	°C
Power Supply Voltage (measured in respect to GND)	3.0		3.6	V

DC Specification ($V_{DD} = 3.3 \pm 10\%$)

Parameter	Parameter	Conditions	Min.	Typ.	Max.	Unit
V_{DD}	Operating Voltage		3.0	3.3	3.6	V
I_{DD}	VDD Supply Current	Output Enable (open drain 500 mV single-ended 0 dB pre-emphasis)		120	150	mA
		Output Enable (double termination, 500 mV single-ended 0 dB pre-emphasis)		190	230	mA
$I_{dd_Squelch}$	Supply Current in squelch mode	Input TMDS signal is not valid		11	13	mA
$I_{dd_Rx\ sense}$	supply current when no 50 Ohm detected in Rx	input TMDS is valid, but 50 Ohm Rx is not detected		4	5	mA
I_{stb}	Standby mode	$V_{DD}=3.6V$, $HPD_x=0$, $ARC_OUT=0$, $OEB = High$		4	5	mA
V_{OL_HPD}	Open Drain Output Low Voltage	$I_{OL} = 4\ mA$	0		0.4	V
I_{OFF_HPD}	Off leakage current	$V_{DD}=0$, $V_{IN}=3.6V$			20	μA
		$V_{DD}=0$, $V_{IN}=5.5V$			40	
I_{OZ_HPD}	Open drain Output leakage current	$V_{DD}=3.6$, $V_{IN}=3.6V$			20	
		$V_{DD}=3.6$, $V_{IN}=5.5V$			40	

HPD_SINK

Symbol	Parameter	Conditions	Min.	Typ.	Max.	Units
I _{IH}	High level digital input current	V _{IH} = V _{DD}	25		40	μA
I _{IL}	Low level digital input current	V _{IL} = GND	-10		10	μA
V _{IH}	High level digital input voltage	V _{DD} = 3.3V	2.0			V
V _{IL}	Low level digital input voltage		0		0.8	V

Control Pin (OEB)

Symbol	Parameter	Conditions	Min.	Typ.	Max.	Units
I _{IH}	High level digital input current	V _{IH} = V _{DD}	30		45	μA
I _{IL}	Low level digital input current	V _{IL} = GND	-10		10	μA
V _{IH}	High level digital input voltage		2.0			V
V _{IL}	Low level digital input voltage		0		0.8	V

DDC Channel Block

Symbol	Parameter	Conditions	Min.	Typ.	Max.	Units
I _{LK}	Input leakage current	DDC switch is off	-10		40	μA
C _{IO}	Input/Output capacitance	V _I peak-peak = 1V, 100 KHz		10		pF
R _{ON}	On resistance	I _O = 3 mA, V _O = 0.4 V		25	50	Ω
V _{pass}	Switch Output voltage	V _I =3.3V, I _I =100 uA V _{DD} =3.3V	1.5	2.0	2.5	V
V _{OH_DDC (source/ sink)}	DDC Switch Output High Voltage	V _{IN} =3.3V. External pull-up R _{up} to V _{DD} from 1.5 KΩ to 5 KΩ	V _{DD} - 1			V

SPDIF & ARC Pins, See ARC single mode waveform

Symbol	Parameter	Conditions	Min.	Typ.	Max.	Units
I _{IH_SPDIF}	High level input current	V _{DD} = 3.6V, V _{IH} = 3.6V		500		μA
I _{IL_SPDIF}	Low level input current	V _{DD} = 3.6V, V _{IL} = GND		-350		μA
V _{el}	Single mode input/output Vel DC voltage level		0		5.0	V
Vel swing SPDIF	Single mode input swing		0.2		0.6	V
Vel swing ARC_ OUT	Single mode ARC output swing		0.4	0.5	0.6	V
R _O	Output resistance of ARC output stage			55		Ω
t _r	ARC output rise time (10% to 90%)	< 0.4UI (f _{clock} = 6.144MHz)			25	ns
t _f	ARC output fall time (10% to 90%)	< 0.4UI (f _{clock} = 6.144MHz)			25	ns
T _{Jpp}	ARC signal peak to peak jitter	< 0.4UI (f _{clock} = 6.144MHz)			3	ns

TMDS Differential Pins

Symbol	Parameter	Conditions	Min.	Typ.	Max.	Units
V _{OH}	Single-ended high level output voltage	V _{DD} = 3.3V, R _{out} = 50 Ω	V _{DD} -10		V _{DD} +10	mV
V _{OL}	Single-ended low level output voltage		V _{DD} -600		V _{DD} -400	mV
V _{swing}	Single-ended output swing voltage		400		600	mV
V _{OD(O)}	Overshoot of output differential voltage ¹				180	mV
V _{OD(U)}	Undershoot of output differential voltage ²				200	mV
V _{OD(U)}	Change in steady-state common-mode output voltage between logic				5	mV
I _{OS}	Short Circuit output current		-12		12	mA
	Short Circuit output current at double termina- tion mode		-24		24	mA
V _{I(open)}	Single-ended input voltage under high impedance input or open	I _I = 10uA	V _{DD} -10		V _{DD} +10	mV
R _T	Input termination resistance	V _{IN} = 2.9V	45	50	55	Ω
I _{OZ}	Leakage current with Hi-Z I/O	V _{DD} = 3.6V,			10	μA

Note:

1. Overshoot of output differential voltage V_{OD(O)} = (V_{SWING(MAX)} * 2) * 15%
2. Undershoot of output differential voltage V_{OD(U)} = (V_{SWING(MIN)} * 2) * 25%

AC Characteristics (Over recommended operating conditions unless otherwise noted)

TMDS Differential Pins

Symbol	Parameter	Conditions	Min.	Typ.	Max.	Units
t _{pd}	Propagation delay	V _{DD} = 3.3V, R _{out} = 50 Ohm			2000	ps
t _r	Differential output signal rise time (20% - 80%)				190	
t _f	Differential output signal fall time (20% - 80%)				190	
t _{sk(p)}	Pulse skew			10	50	
t _{sk(D)}	Intra-pair differential skew			23	50	
t _{sk(o)}	Inter-pair differential skew				100	
t _{jit(pp)}	Peak-to-peak output jitter CLK residual jitter	CLK Input = 165 MHz		15	30	
t _{jit(pp)}	Peak-to-peak output jitter DATA Residual Jitter			18	50	
t _{sx}	Select to switch output				10	
t _{en}	Enable time				1000	ns
t _{dis}	Disable time				10	ns

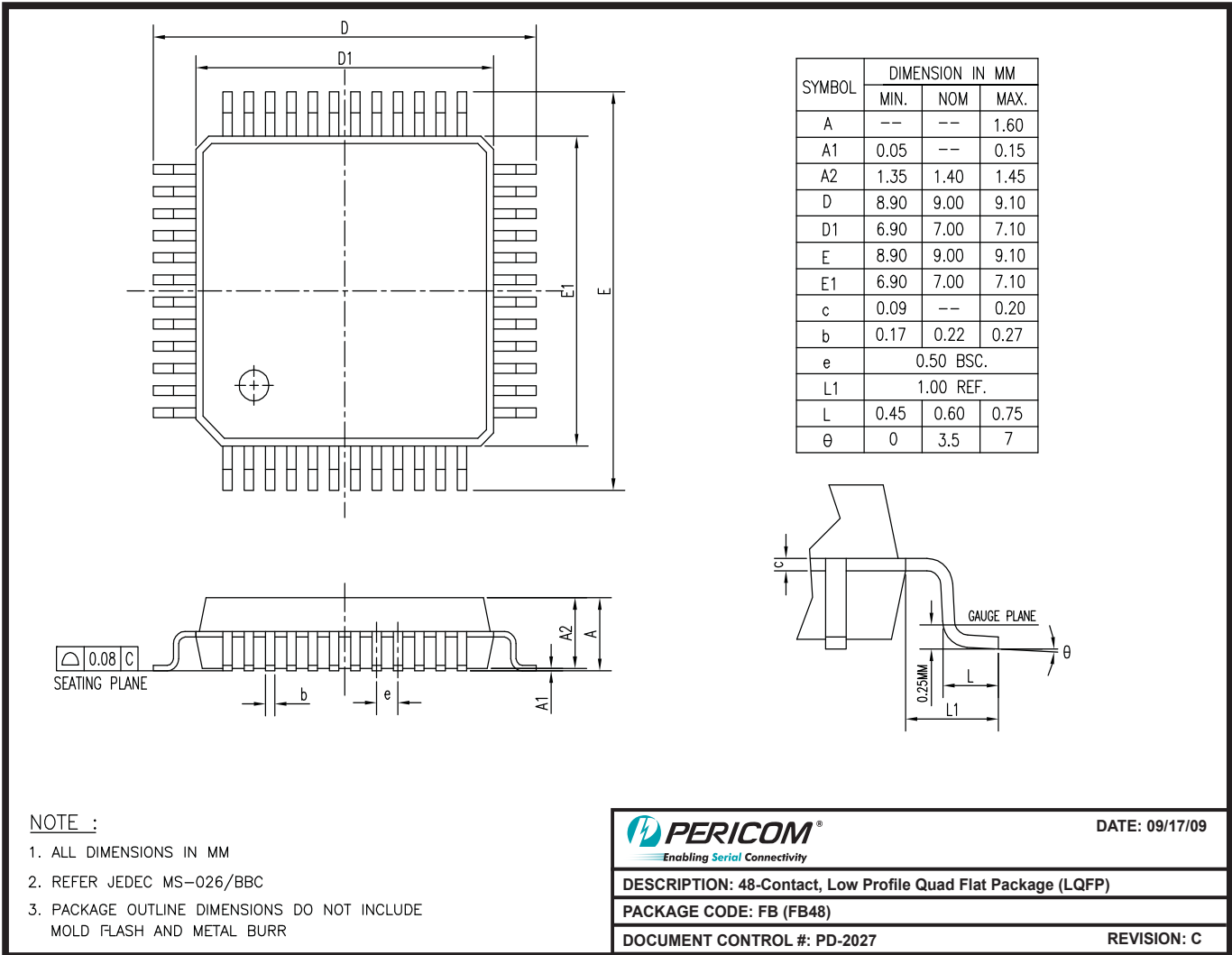
DDC I/O Pins (SCL, SCL_SINK, SDA, SDA_SINK)

Symbol	Parameter	Conditions	Min.	Typ.	Max.	Units
t _{pd(DDC)}	Propagation Delay	C _L = 10 pF		0.4	2.5	ns

Control and Status Pins (HPD_SINK, HPD)

Symbol	Parameter	Conditions	Min.	Typ.	Max.	Units
t _{pd(HPD)}	Propagation Delay	C _L = 10 pF,		10		ns
t _{sx(HPD)}	Select to switch output	Pull-up resistor = 1 KOhm Open drain output		10		ns

Packaging Mechanical: 48-contact LQFP (FB)



09-0012

Please check for the latest package information on the Pericom web site at www.pericom.com/packaging/

Related Products

Part Number	Product Description
PI3EQXDP1201	DisplayPort 1.2 Re-driver with built-in AUX listener
PI3VDP1430	Dual Mode DisplayPort to HDMI Level Shifter and Re-driver
PI3HDMI511	3.4Gbps HDMI 1.4 Re-driver for Source-side application, supporting Dual Mode DisplayPort
PI3HDMI611	3.4Gbps HDMI 1.4 Re-driver for Sink-side application, supporting Dual Mode DisplayPort
PI3VDP3212	2-Lane DisplayPort 1.2 Compliant Switch
PI3VDP12412	4-Lane DisplayPort 1.2 Compliant Switch
PI3HDMI412AD	1:2 Active 3.4Gbps HDMI 1.4 compliant Splitter/Re-driver
PI3HDMI621	2:1 Active 3.4Gbps HDMI 1.4 Switch with built-in ARC and Fast Switching support for sink-side Application
PI3HDMI336	3:1 Active 3.4Gbps HDMI 1.4 Switch/Re-driver with I ² C control and ARC Transmitter

Reference Information

Document	Description
VESA	VESA DisplayPort Standard Version 1 Revision 2, Video Electronics Standards Association, January 5, 2010 VESA DisplayPort Dual-Mode Standard Version 1, Video Electronics Standards Association, February 10, 2012 VESA DisplayPort Interoperability Guideline Version 1.1a, Video Electronics Standards Association, February 5, 2009
HDMI	High-Definition Multimedia Interface Specification Version 1.4, HDMI Licensing, LLC, June 5, 2009

Ordering Information

Ordering Number	Package Code	Package Description
PI3HDMI521FBE	FB	Pb-free & Green 48-Contact LQFP

- Thermal characteristics can be found on the company web site at www.pericom.com/packaging/
- E = Pb-free and Green
- X suffix = Tape/Reel



Revision History

Date	Changes