

NOTES:

- MATERIAL:
BODY - ALUMINUM, TIN PLATED
SCREW - ALUMINUM, TIN PLATED
- UL LISTED & CSA CERTIFIED FOR USE UP TO 600V & TEMPERATURE RATED 90 °C (AL9CU)
NOTE: LAM3B2-56-6Y IS cULus
- DUAL RATED FOR USE WITH COPPER OR ALUMINUM STRANDED CODE CONDUCTOR
- THESE PARTS ARE RoHS COMPLIANT
- USE OF OXIDE INHIBITING JOINT COMPOUND LIKE PANDUIT CMP-100 RECOMMENDED FOR PAD TO PAD AND CONDUCTOR SURFACES
- SEE PACKAGING LABEL FOR TIGHTENING TORQUE INFORMATION
- PKG QTY:
6 = 6
3 = 3
1 = 1
- ** DENOTES NEMA HOLE SPACING

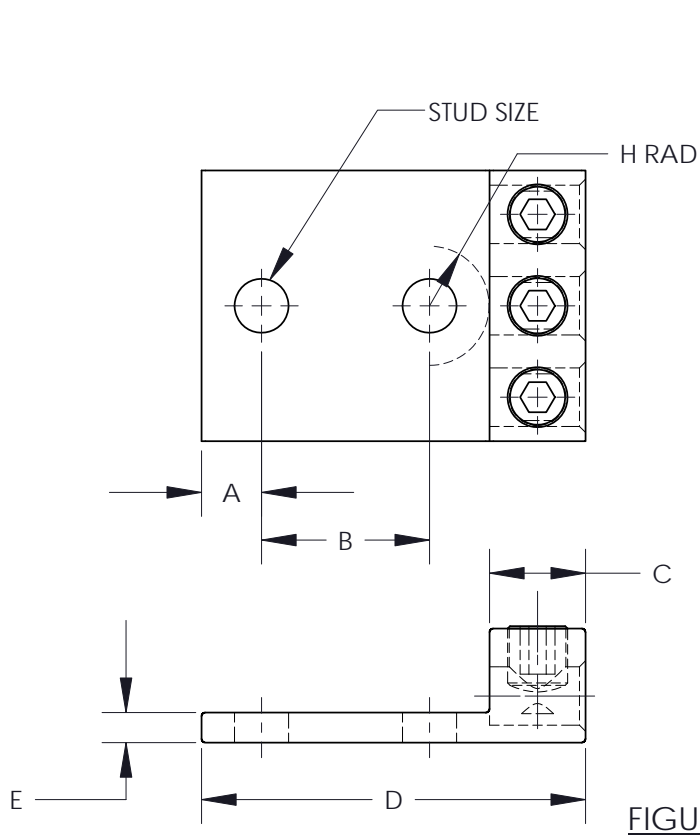


FIGURE 1

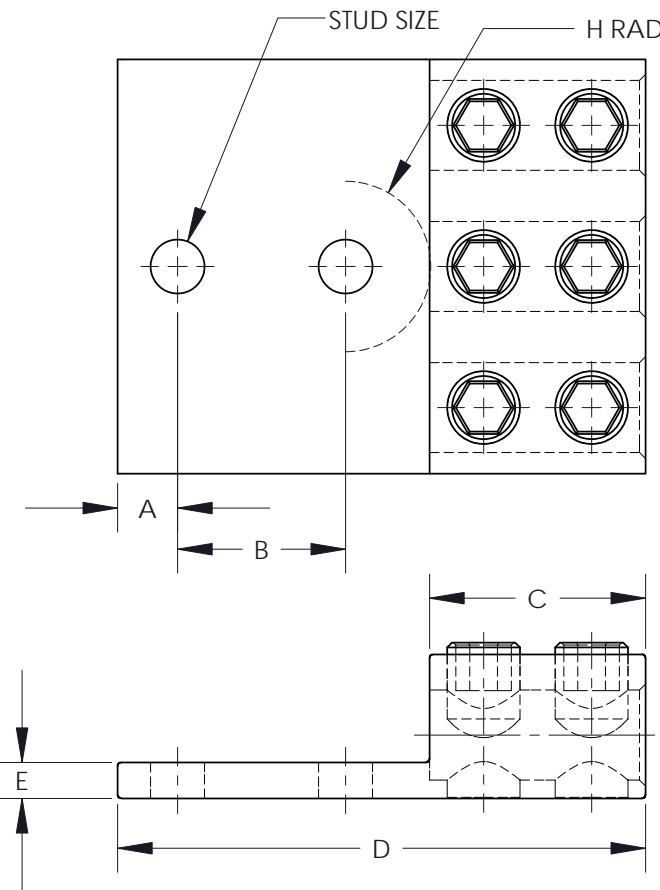


FIGURE 2

PART NUMBER	FIGURE	STUD SIZE	DIMENSIONS - IN [mm]								WIRE RANGE	HEX KEY*
			A	B	C	D	E	F	G	H		
LAM3B2-56-6Y	1	5/16	0.31 [7.9]	0.88 [22.4]	0.46 [11.7]	2.49 [63.2]	0.19 [4.8]	0.47 [11.9]	1.63 [41.4]	0.84 [21.3]	2-14 AWG	SLOTTED
LAM3B1/0-38-6Y	1	3/8	0.34 [8.6]	1.00 [25.4]	0.75 [19.1]	2.91 [73.9]	0.25 [6.4]	0.88 [22.4]	2.00 [50.8]	0.81 [20.6]	1/0-14 AWG	SLOTTED
LAM3B3/0-12-3Y	1	1/2	0.63 [16.0]	**1.75 [44.5]	1.00 [25.4]	4.25 [108.0]	0.31 [7.9]	1.19 [30.1]	2.81 [71.4]	0.88 [22.2]	3/0-6 AWG	1/4"
LAM3B250-12-1Y	1	1/2	0.63 [16.0]	**1.75 [44.5]	1.00 [25.4]	4.00 [101.6]	0.31 [7.9]	1.19 [30.1]	2.82 [71.6]	0.63 [16.0]	250kcmil - 6 AWG	5/16"
LAM3B350-12-1Y	1	1/2	0.63 [16.0]	**1.75 [44.5]	1.25 [31.8]	4.50 [114.3]	0.31 [7.9]	1.38 [35.1]	3.50 [88.9]	0.88 [22.2]	350kcmil - 6 AWG	5/16"
LAM3LB600-12-1	2	1/2	0.63 [16.0]	**1.75 [44.5]	2.25 [57.2]	5.50 [139.7]	0.38 [9.7]	1.50 [38.1]	4.32 [109.7]	0.88 [22.2]	600kcmil - 2 AWG	3/8"
LAM3LB1000-121Y	2	1/2	0.63 [16.0]	**1.75 [44.5]	2.75 [69.9]	6.19 [157.2]	0.56 [14.2]	1.88 [47.8]	5.27 [133.9]	1.06 [26.9]	1000-500kcmil	1/2"

* HEX SIZE MAY DIFFER FROM CHART. DIFFERENCE IN SIZE WILL NOT AFFECT FIT, FORM, OR FUNCTION OF PART

04	11/10	JHNU	JHNU	E. REVISED PART NUMBER: LAM3LB1000-121Y WAS LAM3LB1000-12-1Y	N41561BA-C41561	FLD	FLD	PANDUIT CORP. TINLEY PARK, ILLINOIS LAM3B, LAM3LB SERIES ALUMINUM MECHANICAL LUGS CUSTOMER DRAWING UNLESS OTHERWISE SPECIFIED DIMENSIONAL TOLERANCES ARE: (.X) ± (.XXX) ± (.XX) ± ANGLES ±	UNLESS OTHERWISE SPECIFIED, ALL DIMENSIONS ARE GIVEN IN INCHES, THIRD ANGLE PROJECTION
03	8/10	JHNU	JHNU	D. REVISED DIMENSIONS FOR LAM3B1/0-38-6Y, LAM3B3/0-12-3Y, LAM3B250-12-1Y, & LAM3B350-12-1Y C. REMOVED LAM3B600-12-1Y, ADDED LAM3LB600-12-1 B. REMOVED LAM3LB800-12-1Y, ADDED LAM3LB1000-12-1 A. REMOVED TIGHTENING TORQUE & WEIGHT COLUMN	N41561BA-C41561	FLD	FLD		
02	1/07	JHNU	JHNU	ADDED PART WEIGHT COLUMN TO TABLE					
01	3/06	JHNU	LEM	REVISED RoHS NOTE					
00	2/06	JHNU	LEM	DRAWING RELEASED - RoHS COMPLIANT				DRAWN BY: JHNU DATE: 2/06 MAT'L: SCALE: NONE DRAWING NO / CAD FILE: C41561_04 DWG SIZE: B	
REV	DATE	BY	CHK	DESCRIPTION	ECN	-R	SUP	CHK'D	