

SAC-8P-MR/ 1,5-542/ FS SCO BK

Order No.: 1406095



<http://catalog.phoenixcontact.net/phoenix/treeViewClick.do?UID=1406095>

Sensor/Actuator cable, 8-position, PVC, yellow, Plug angled M12 SPEEDCON, A-coded, on Socket straight M12 SPEEDCON, A-coded, Cable length: 1.5 m



Product notes

WEEE/RoHS-compliant since:
04/03/2012



Commercial data

| | |
|------------------------|--|
| EAN |  4 046356 799539 |
| Note | Made-to-order |
| sales group | D118 |
| Pack | 1 Pcs. |
| Customs tariff | 85444290 |
| Gross weight in pieces | 0.02222 KG |
| Net weight per piece | 0.02222 KG |

<http://www.download.phoenixcontact.com>
Please note that the data given here has been taken from the online catalog. For comprehensive information and data, please refer to the user documentation. The General Terms and Conditions of Use apply to Internet downloads.

Technical data

Dimensions

| | |
|-----------------|-------|
| Length of cable | 1.5 m |
|-----------------|-------|

Ambient conditions

| | |
|---------------------------------|----------------------------------|
| Ambient temperature (operation) | -25 °C ... 90 °C (Plug / socket) |
|---------------------------------|----------------------------------|

| | |
|----------------------|------|
| Degree of protection | IP65 |
| | IP67 |
| | IP68 |

General

| | |
|------------------------------|-------------------------------|
| Rated current at 40°C | 2 A |
| Rated voltage | 30 V |
| Number of positions | 8 |
| Contact resistance | ≤ 5 mΩ |
| Insulation resistance | ≥ 100 MΩ |
| Coding | A - standard |
| Standards/regulations | M12 connector IEC 61076-2-101 |
| Status display | No |
| Protective circuit/component | Unwired |
| Surge voltage category | II |
| Pollution degree | 3 |
| Insertion/withdrawal cycles | ≥ 100 |
| Torque | 0.4 Nm (M12 connector) |

Material

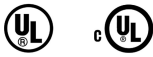
| | |
|---|---|
| Inflammability class according to UL 94 | HB |
| Contact material | CuZn |
| Contact surface material | Ni/Au |
| Contact carrier material | TPU GF |
| Material of grip body | TPU, hardly inflammable, self-extinguishing |
| Material, knurls | Zinc die-cast, nickel-plated |
| Sealing material | NBR |

Cable

| | |
|------------------------------------|--|
| Cable type | PVC yellow 105 °C |
| Cable type (abbreviation) | 542 |
| UL AWM style | 2517 (105°C/300 V) |
| AWG signal line | 24 |
| Core diameter including insulation | 1.12 mm ±0.03 mm |
| Wire colors | white, brown, green, yellow, gray, pink, blue, red |
| Overall twist | 8 wires around filler to the core |
| External sheath, color | yellow |

| | |
|---|---|
| External cable diameter D | 5.7 mm ±0.2 mm |
| Minimum bending radius, flexible installation | 8 x D |
| Cable weight | 44 kg/km |
| Outer sheath, material | PVC |
| Material, filler | PP |
| Material conductor insulation | PVC |
| Conductor material | Tin-plated Cu litz wires |
| Nominal voltage, cable | 300 V |
| Other resistance | UV resistant |
| Ambient temperature (operation) | -30 °C ... 105 °C (cable, fixed installation) |

Certificates / Approvals



Certification cULus Listed

Certifications applied for:

Certification Ex:

Accessories

| Item | Designation | Description |
|----------------|------------------|---|
| Fuse | | |
| 1558991 | SAC-M12-EXCLIP-F | Fuse clip for the socket side of sensor/actuator cables with M12 connector and M12 connectors which can be assembled with QUICKON fast connection technology, prevents the disconnection of plug-in connections without tools |
| 1558988 | SAC-M12-EXCLIP-M | Fuse clip for the pin side of sensor/actuator cables with M12 connector and M12 connectors which can be assembled with QUICKON fast connection technology, prevents the disconnection of plug-in connections without tools |
| Marking | | |
| 1051993 | B-STIFT | Marker pen, for manual labeling of unprinted Zack strips, smear-proof and waterproof, line thickness 0.5 mm |

| | | |
|---------|------------|---|
| 1013944 | PABA RD/15 | Insert label, Strip, red, unlabeled, can be labeled with: Plotter, Mounting type: Thread on, Cable diameter: 0.6-50 mm, Lettering field: 15 x 4 mm |
| 1013151 | PABA WH/15 | Insert label, Strip, white, unlabeled, can be labeled with: Plotter, Mounting type: Thread on, Cable diameter: 0.6-50 mm, Lettering field: 15 x 4 mm |
| 1013698 | PABA YE/15 | Insert label, Strip, yellow, unlabeled, can be labeled with: Plotter, Mounting type: Thread on, Cable diameter: 0.6-50 mm, Lettering field: 15 x 4 mm |
| 1013122 | PATO 2/15 | Conductor marker carrier, transparent, unlabeled, Mounting type: clip on, Cable diameter: 2.8-4.4 mm, Lettering field: 4 x 15 mm |
| 1013135 | PATO 3/15 | Conductor marker carrier, transparent, unlabeled, Mounting type: clip on, Cable diameter: 4.4-6.7 mm, Lettering field: 4 x 15 mm |
| 1013148 | PATO 4/15 | Conductor marker carrier, transparent, unlabeled, Mounting type: clip on, Cable diameter: 6.7-10 mm, Lettering field: 4 x 15 mm |

Protection and sealing elements

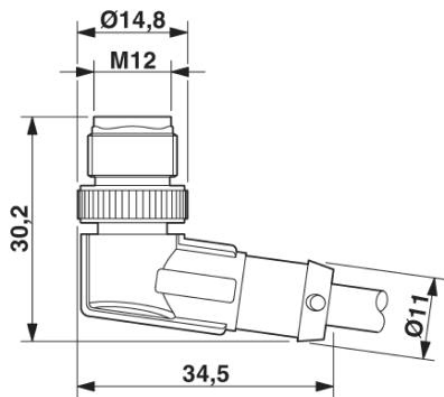
| | | |
|---------|----------------------|---|
| 1430873 | PROT-M12 FS-PA-CHAIN | M12 sealing cap made of plastic with fixing band, for sensor cables, for free M12 sockets |
| 1430899 | PROT-M12 MS-PA-CHAIN | M12 sealing cap with fixing band, for sensor cables, for free M12 sockets |

Tools

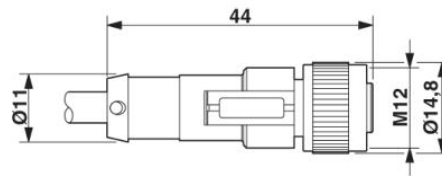
| | | |
|---------|-----------------------|---|
| 1208432 | SAC BIT M12-D15 | Nut for assembling sensor/actuator cables with M12 connector and for M12 connectors with QUICKON fast connection technology, for 4 mm hexagonal drive |
| 1208429 | TSD 04 SAC | Torque screwdriver, with preset torque of 0.4 Nm and 4 mm hexagonal drive for M12 connectors |
| 1212224 | TSD-M 1,2NM | Torque screw driver, accuracy as per EN ISO 6789 standard, adjustable from 0.3 - 1.2 Nm |
| 1212600 | TSD-M SAC-BIT ADAPTER | Adapter bit for TSD-M...torque tools, E6.3-1/4" drive with 4 mm hexagon to accommodate SAC bits |

Drawings

Dimensioned drawing

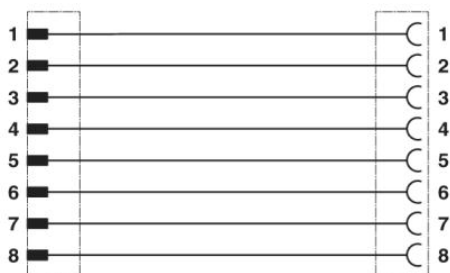


M12 x 1 male plug, angled



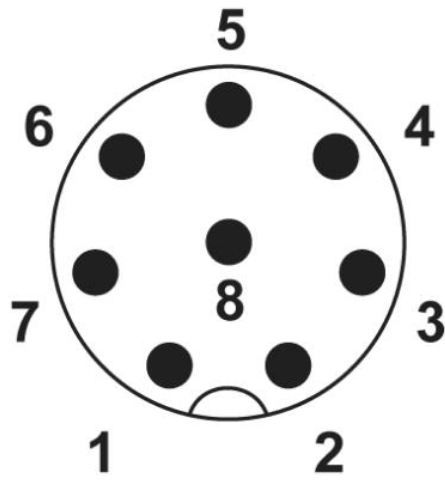
M12 x 1 socket, straight

Circuit diagram

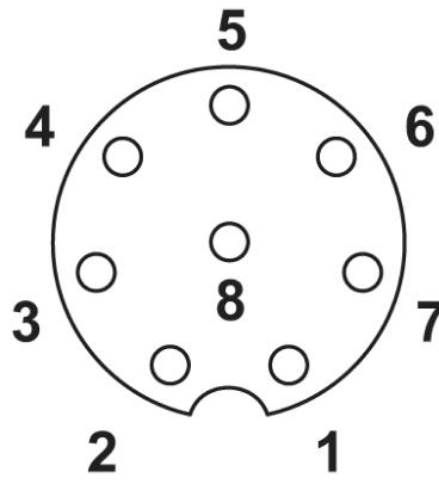


Contact assignment of the M12 plug and the M12 socket

Schematic diagram



Pin assignment M12 plug, 8-pos., A-coded, view plug side



Pin assignment M12 socket, 8-pos., A-coded, view female side

Address

PHOENIX CONTACT Deutschland GmbH
Flachmarktstr. 8
32825 Blomberg, Germany
Phone +49 5235 3 12000
Fax +49 5235 3 41200
<http://www.phoenixcontact.com>



© 2014 Phoenix Contact
Technical modifications reserved;