

VS-FSBPXS-OE-94F/2,0

Order No.: 1424151




<http://catalog.phoenixcontact.net/phoenix/treeViewClick.do?UID=1424151>

Assembled Ethernet cable, CAT6_A, shielded, 4-pair, 26 AWG stranded (7-wire), RAL 5021 (water blue), M12 flush-type socket, rear/screw mounting with M16 thread to free cable end, length: 2 m



Commercial data

EAN	 4 046356 692632
sales group	D125
Pack	1 Pcs.
Customs tariff	85444290
Gross weight in pieces	0.119 KG
Net weight per piece	0.02222 KG
Catalog page information	Page 93 (C-2-2013)

Product notes

WEEE/RoHS-compliant since:
08/25/2011



<http://www.download.phoenixcontact.com>
Please note that the data given here has been taken from the online catalog. For comprehensive information and data, please refer to the user documentation. The General Terms and Conditions of Use apply to Internet downloads.

Technical data

Mechanical characteristics

Number of positions	8
Number of slots	1
Insertion/withdrawal cycles	≥ 100
Cable exit	Straight

Length of cable	2 m
-----------------	-----

Ambient conditions

Ambient temperature (operation)	-40 °C ... 90 °C (Plug / socket)
Degree of protection	IP65/67

Material data

Inflammability class according to UL 94	V0
Contact carrier material	PPA
Contact material	CuZn
Contact surface material	Gold-plated
Material	Zinc die-cast (nickel-plated)
Cable gland material	Zinc die-cast, nickel-plated
Sealing material	FKM

Electrical characteristics

Rated surge voltage	0.8 kV
Insulation resistance	≥ 100 MΩ
Transmission characteristics (category)	CAT6 _A

Certificates / Approvals

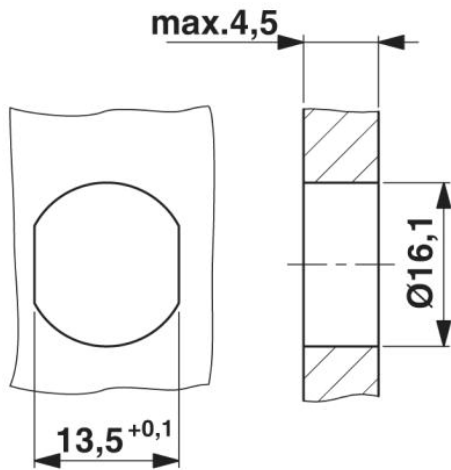
Certification

Certifications applied for:

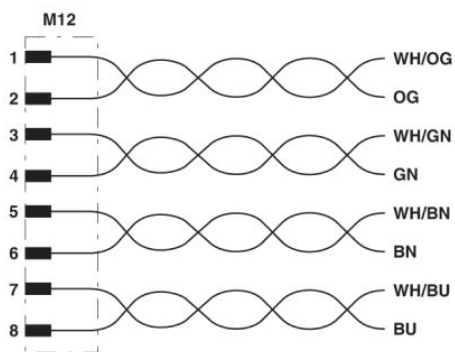
Certification Ex:

Drawings

Dimensioned drawing

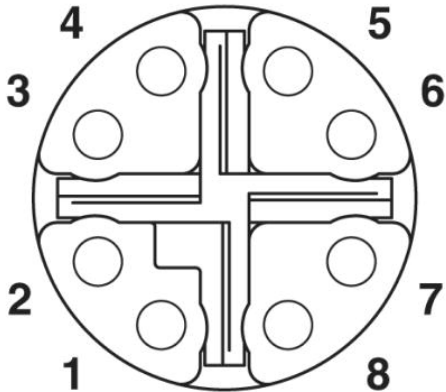


Circuit diagram

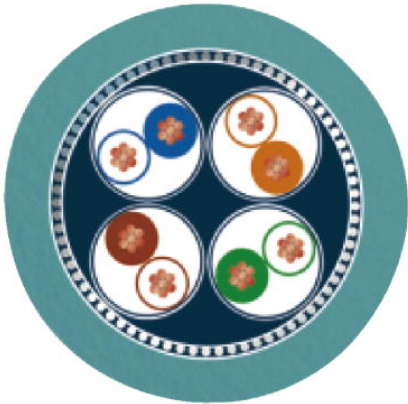


Contact assignment of the M12 plug

Schematic diagram



M12 socket pin assignment, 8-pos, view of socket side



Ethernet 10 Gbit [94F]

Address

PHOENIX CONTACT Deutschland GmbH
Flachmarktstr. 8
32825 Blomberg, Germany
Phone +49 5235 3 12000
Fax +49 5235 3 41200
<http://www.phoenixcontact.com>



© 2014 Phoenix Contact
Technical modifications reserved;