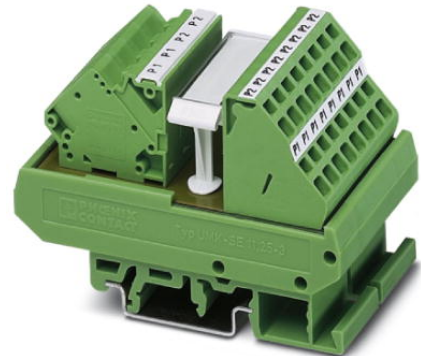


UMK- PVB 2/16/ZFKDS


Order No.: 2302353



<http://catalog.phoenixcontact.net/phoenix/treeViewClick.do?UID=2302353>

VARIOFACE module, with two equipotential busbars (P1, P2) for potential distribution, for mounting on NS 32 or on NS 35/7.5



Commercial data	
EAN	 4 017918 880552
sales group	I110
Pack	1 Pcs.
Customs tariff	85369010
Gross weight in pieces	0.1169 KG
Net weight per piece	0.08437 KG
Catalog page information	Page 323 (IF-2011)

Product notes

WEEE/RoHS-compliant since:
07/17/2006



<http://www.download.phoenixcontact.com>
Please note that the data given here has been taken from the online catalog. For comprehensive information and data, please refer to the user documentation. The General Terms and Conditions of Use apply to Internet downloads.

Technical data	
Dimensions	
Width	45 mm
Height	77 mm
Depth	52 mm

Ambient conditions

Ambient temperature (operation)	-20 °C ... 50 °C
Ambient temperature (storage/transport)	-20 °C ... 70 °C

General

Nominal voltage U_N	250 V AC/DC
Max. current carrying capacity per branch	17 A
Total current	32 A (per potential)
Mounting position	any
Designation	Air and creepage distances in a circuit
Standards/regulations	DIN EN 50178
Rated surge voltage / insulation	2.3 kV / basic insulation
Rated insulation voltage	260 V AC
Pollution degree	2
Surge voltage category	II

Connection data, supply

Conductor cross section solid min.	0.2 mm ²
Conductor cross section solid max.	6 mm ²
Conductor cross section stranded min.	0.2 mm ²
Conductor cross section stranded max.	4 mm ²
Conductor cross section AWG/kcmil min.	24
Conductor cross section AWG/kcmil max	10
Connection method	Spring-cage connection
Stripping length	8 mm

Connection data, distribution

Conductor cross section solid min.	0.2 mm ²
Conductor cross section solid max.	4 mm ²
Conductor cross section stranded min.	0.2 mm ²
Conductor cross section stranded max.	2.5 mm ²
Conductor cross section AWG/kcmil min.	24
Conductor cross section AWG/kcmil max	12
Stripping length	8 mm

Certificates / Approvals



Certification cULus Recognized, GOST

Certifications applied for:

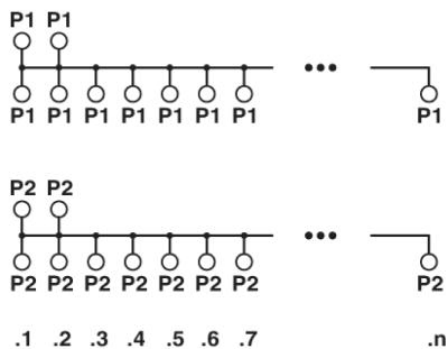
Certification Ex:

Accessories

Item	Designation	Description
Tools		
1204517	SZF 1-0,6X3,5	Actuation tool, for ST terminal blocks, also suitable for use as a bladed screwdriver, size: 0.6 x 3.5 x 100 mm, 2-component grip, with non-slip grip

Drawings

Circuit diagram



Address

PHOENIX CONTACT Deutschland GmbH
Flachmarktstr. 8
32825 Blomberg, Germany
Phone +49 5235 3 12000
Fax +49 5235 3 41200
<http://www.phoenixcontact.com>



© 2014 Phoenix Contact
Technical modifications reserved;