


# UM108-SEFE/R-A73

Order No.: 2959719



<http://catalog.phoenixcontact.net/phoenix/treeViewClick.do?UID=2959719>

Side element, with foot, tall version, right-hand, for 73 mm wide U-shaped cover.

Commercial data	
EAN	 4 017918 086350
sales group	F104
Pack	10 Pcs.
Customs tariff	39269097
Gross weight in pieces	0.01858 KG
Net weight per piece	0.01846 KG
Catalog page information	Page 757 (C-1-2013)

### Product notes

WEEE/RoHS-compliant since:  
01/01/2003



<http://www.download.phoenixcontact.com>  
Please note that the data given here has been taken from the online catalog. For comprehensive information and data, please refer to the user documentation. The General Terms and Conditions of Use apply to Internet downloads.

Technical data	
<b>General</b>	
Housing type	Panel mounting base
Housing material	PA
Color	green
<b>Technical data</b>	
Inflammability class according to UL 94	V0

## Certificates / Approvals



Certification

UL Recognized

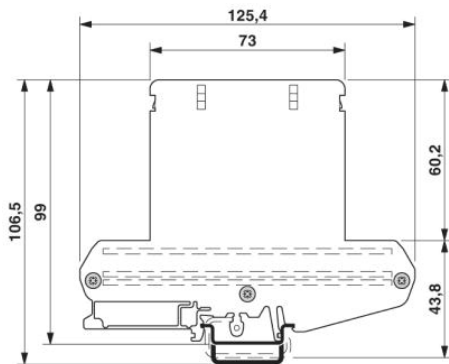
Certifications applied for:

Certification Ex:

---

## Drawings

Dimensioned drawing



**Address**

PHOENIX CONTACT Deutschland GmbH  
Flachmarktstr. 8  
32825 Blomberg, Germany  
Phone +49 5235 3 12000  
Fax +49 5235 3 41200  
<http://www.phoenixcontact.com>



© 2014 Phoenix Contact  
Technical modifications reserved;