


UM108-SEFE/L-A73

Order No.: 2959735



<http://catalog.phoenixcontact.net/phoenix/treeViewClick.do?UID=2959735>

Side element, with foot, tall version, left-hand, for 73 mm wide U-shaped cover.

Commercial data	
EAN	 4 017918 107314
sales group	F104
Pack	10 Pcs.
Customs tariff	39269097
Gross weight in pieces	0.0182 KG
Net weight per piece	0.0181 KG
Catalog page information	Page 757 (C-1-2013)

Product notes

WEEE/RoHS-compliant since:
01/01/2003



<http://www.download.phoenixcontact.com>
Please note that the data given here has been taken from the online catalog. For comprehensive information and data, please refer to the user documentation. The General Terms and Conditions of Use apply to Internet downloads.

Technical data	
General	
Housing type	Panel mounting base
Housing material	PA
Color	green
Technical data	
Inflammability class according to UL 94	V0

Certificates / Approvals



Certification

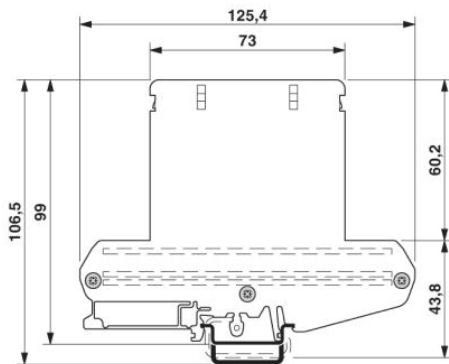
UL Recognized

Certifications applied for:

Certification Ex:

Drawings

Dimensioned drawing



Address

PHOENIX CONTACT Deutschland GmbH
Flachmarktstr. 8
32825 Blomberg, Germany
Phone +49 5235 3 12000
Fax +49 5235 3 41200
<http://www.phoenixcontact.com>



© 2014 Phoenix Contact
Technical modifications reserved;