


**UEG-EU-SE**

Order No.: 2956822

<http://catalog.phoenixcontact.net/phoenix/treeViewClick.do?UID=2956822>

Side element, two pieces necessary, for closing the base element, 1.5 mm thick.

**Commercial data**

EAN	 4 017918 085964
sales group	F014
Pack	5 Pcs.
Customs tariff	85369010
Gross weight in pieces	0.04125 KG
Net weight per piece	0.03918 KG
Catalog page information	Page 739 (C-1-2013)

**Product notes**WEEE/RoHS-compliant since:  
01/01/2003

<http://www.download.phoenixcontact.com>  
Please note that the data given here has been taken from the online catalog. For comprehensive information and data, please refer to the user documentation. The General Terms and Conditions of Use apply to Internet downloads.

**Technical data****General**

Housing type	Component housing
Color	green

**Dimensions**

Constructional height	127.5 mm
Width	1.5 mm

**Technical data**

Inflammability class according to UL 94	HB
---	----

**Certificates / Approvals**



Certification

UL Recognized

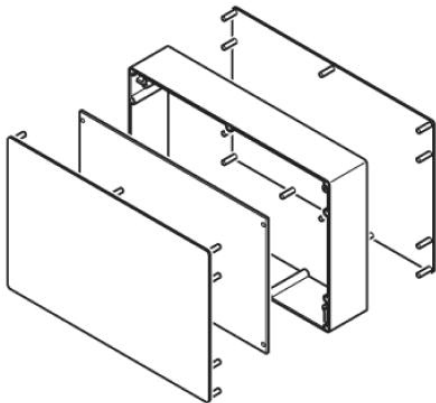
Certifications applied for:

Certification Ex:

---

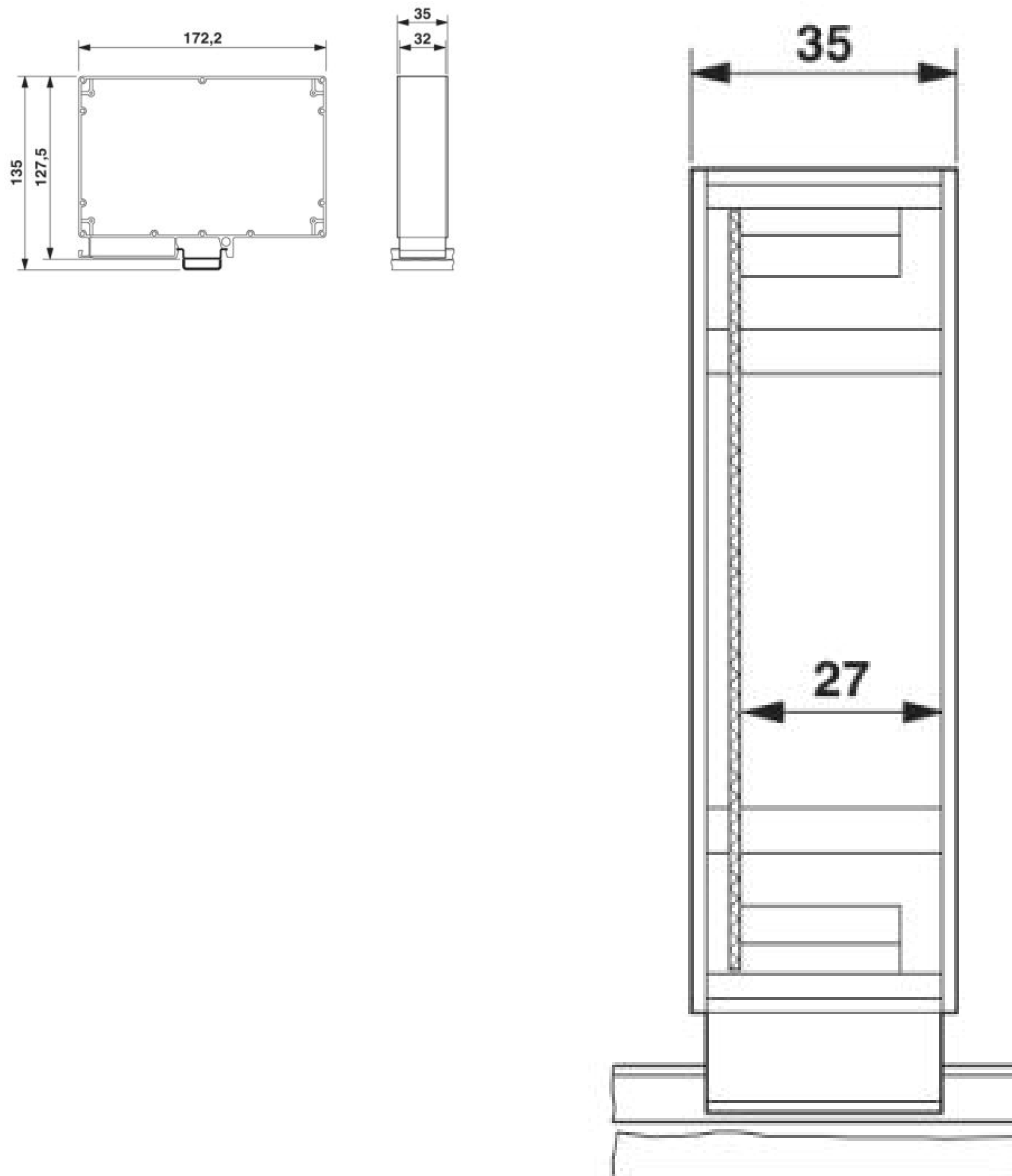
**Drawings**

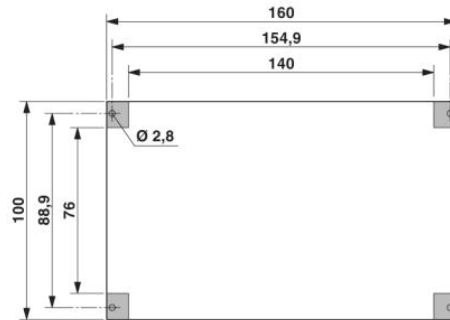
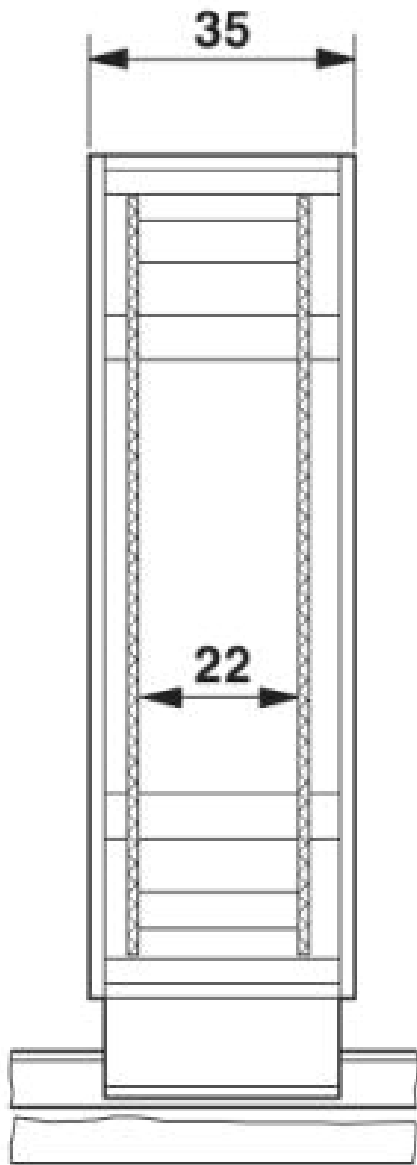
Explosion drawing



Dimensioned drawing

---





**Address**

PHOENIX CONTACT Deutschland GmbH  
Flachmarktstr. 8  
32825 Blomberg, Germany  
Phone +49 5235 3 12000  
Fax +49 5235 3 41200  
<http://www.phoenixcontact.com>



© 2014 Phoenix Contact  
Technical modifications reserved;