

VS-PPC-F1-SCRJ-MNNA-1C-F

Order No.: 1405235




<http://catalog.phoenixcontact.net/phoenix/treeViewClick.do?UID=1405235>

Push-pull panel mounting frame, IP67, metal, with Freenet system, for round mounting cutout, with seal and SCRJ coupling (for POF, PCF, and GOF)



Commercial data

EAN	 4 046356 334785
Note	Made-to-order
sales group	D521
Pack	1 Pcs.
Customs tariff	85389099
Gross weight in pieces	0.0629 KG
Net weight per piece	0.0629 KG
Catalog page information	Page 128 (C-2-2013)

Product notes

WEEE/RoHS-compliant since:
12/14/2007



<http://www.download.phoenixcontact.com>
Please note that the data given here has been taken from the online catalog. For comprehensive information and data, please refer to the user documentation. The General Terms and Conditions of Use apply to Internet downloads.

Technical data

Mechanical characteristics

Number of positions	2
Number of slots	1
Locking type	Push Pull
Fiber	POF, PCF, GOF
Insertion/withdrawal cycles	= 100
Color	silver

Ambient conditions

Ambient temperature (operation)	-40 °C ... 70 °C
Degree of protection	IP65/67

Material data

Inflammability class according to UL 94	V0
Housing material	Zinc die-cast
Housing surface material	Nickel-plated
Material	Metal

Electrical characteristics

Number of positions	2
Pollution degree	2

Certificates / Approvals

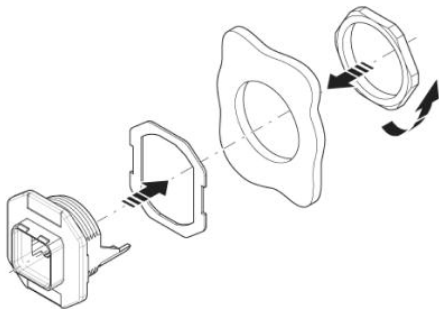
Certification

Certifications applied for:

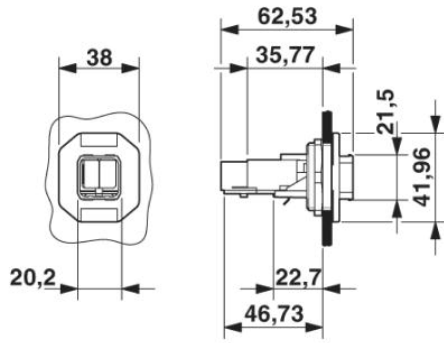
Certification Ex:

Drawings

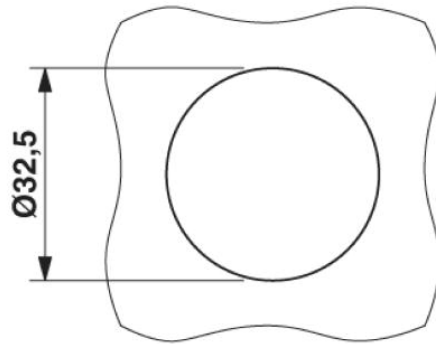
Explosion drawing



Dimensioned drawing



Push-pull SCRJ panel mounting frame



Panel cutout

Address

PHOENIX CONTACT Deutschland GmbH
Flachmarktstr. 8
32825 Blomberg, Germany
Phone +49 5235 3 12000
Fax +49 5235 3 41200
<http://www.phoenixcontact.com>



© 2014 Phoenix Contact
Technical modifications reserved;